

Amphenol
FCi

© 2016 AFCI

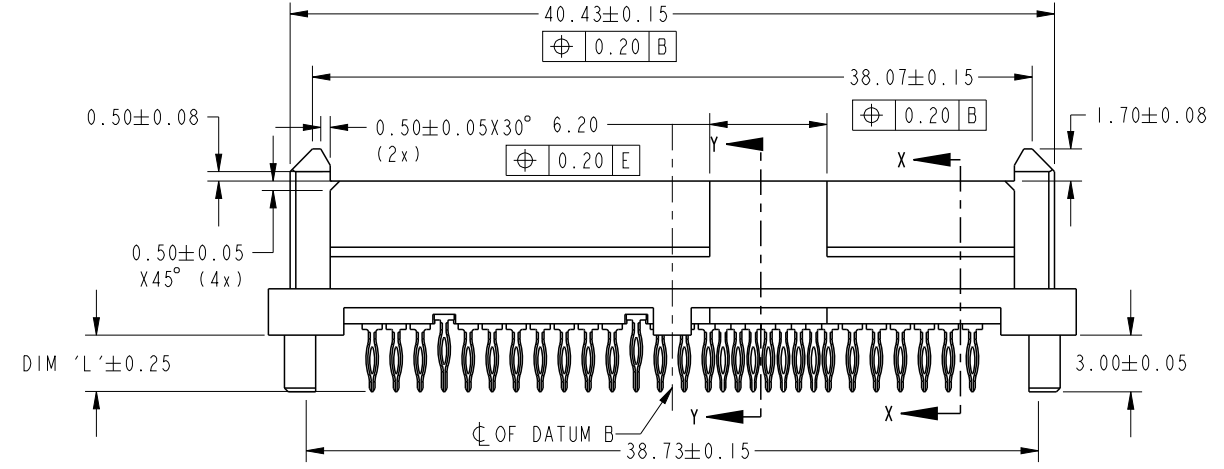
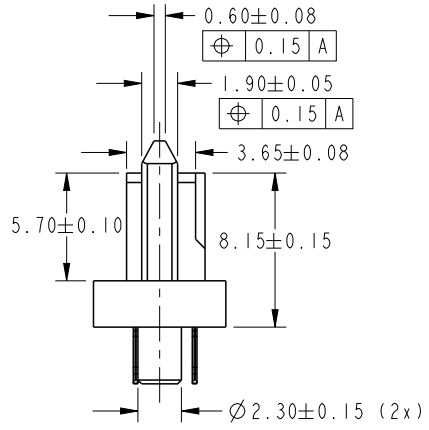
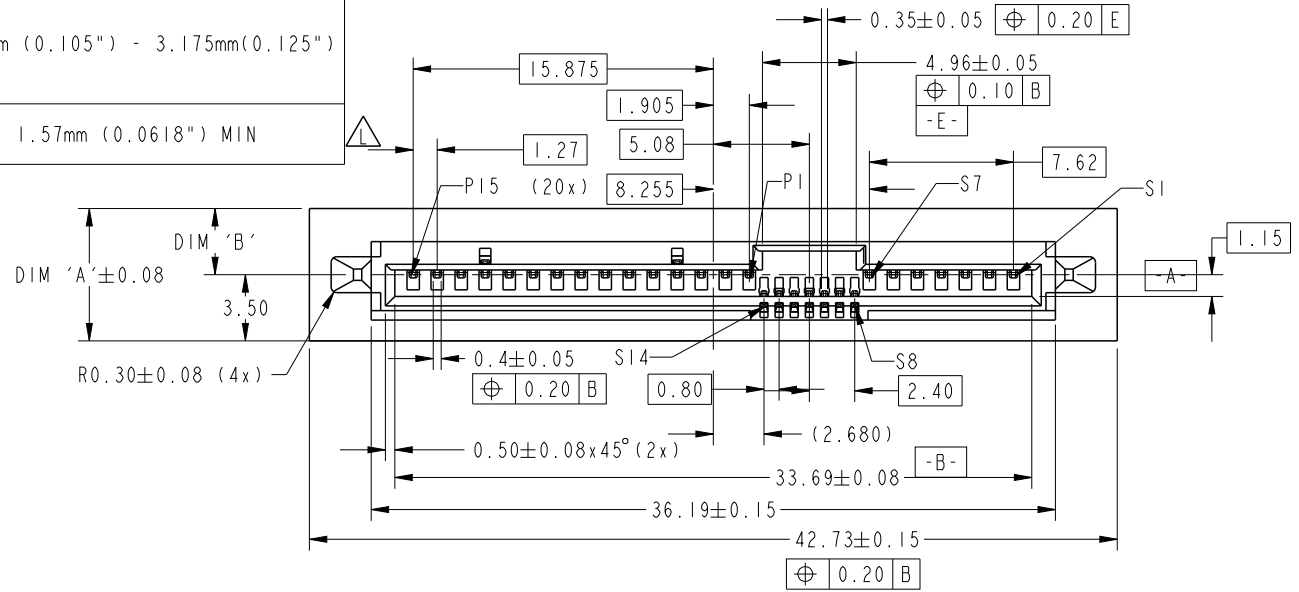
A

B

C

D

PRODUCT NO	DIM 'A'	DIM 'B'	DIM 'L'	PLATING	RECOMMENDED P.C. BOARD THICKNESS
10045782-001LF	7.00	3.50	3.50	NOTE 2	2.67mm (0.105") - 3.175mm(0.125")
10045782-011LF	6.00	2.50		NOTE 3	
10045782-001	7.00	3.50	2.70	NOTE 2	1.57mm (0.0618") MIN
10045782-011	6.00	2.50		NOTE 2	
10045782-002LF	7.00	3.50			
10045782-012LF	6.00	2.50			



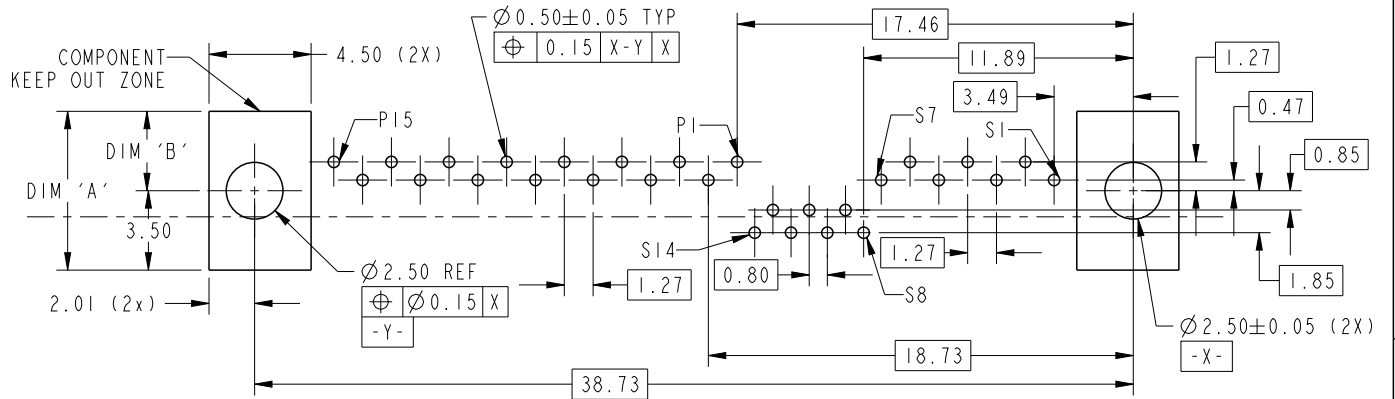
spec ref	SEE NOTES		
tolerance std	TOLERANCES UNLESS OTHERWISE SPECIFIED		
ASME Y14.5	0.X	±0.2	
	0.XX	±0.2	
	0.XXX	±0	
surface	angular	0°	±2°

dr	w wadmin	2005/10/11
eng	Noorhazelinda	2016/07/12
chr	-	-
appr	Koon-Poh Tay	2016/07/18

projection	MM	size	A4	scale	3:1
product family	SAS	ecn no	ELX-M-24482-1		
rel level	Released				

dwg no	10045782	rev	L
cat. no.	Product - Customer Drw		sheet 1 of 3

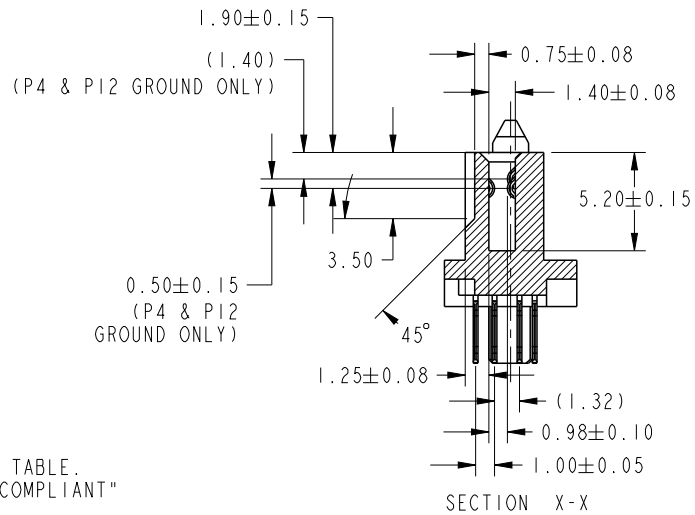
PRODUCT NO		
SEE TABLE		
HOLE	A	REMARK
HOLE DIAMETER AFTER PLATING	0.45-0.55 mm	FOR -XXX & -XXXLF
DRILLED HOLE	0.58-0.62 mm	
COPPER PLATING	25-50 μ m	
Sn PLATING	5-15 μ m	FOR -XXXLF ONLY
Sn-Pb PLATING	5-15 μ m	FOR -XXX ONLY



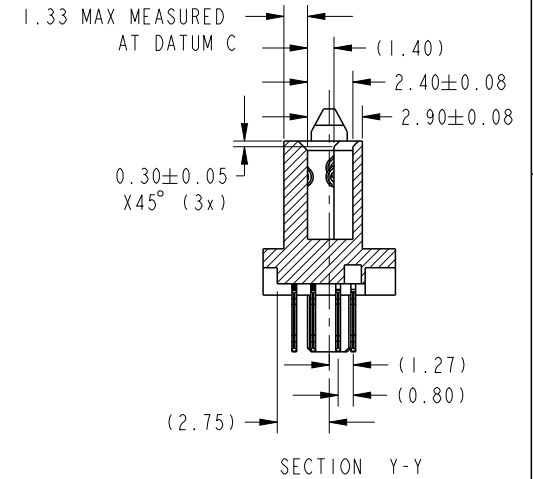
RECOMMENDED PCB LAYOUT

NOTE:

- MATERIAL:
 - HOUSING: HIGH TEMPERATURE THERMOPLASTIC, UL 94V-0
COLOUR: BLACK
 - TERMINAL; COPPER ALLOY
 - HOLD DOWN: COPPER ALLOY
- FINISH (LEAD-FREE):
 - TERMINAL: 30 μ " Au PLATING (CONTACT POINT) OVER 50 μ " NICKEL
 - PRESSFIT TAIL: 20 μ " MIN - 60 μ " MAX Sn OVER 50 μ " NICKEL
 - HOLD DOWN: 50 μ " min Sn-Pb OVER 50 μ " NICKEL
- FINISH (TIN LEAD):
 - TERMINAL: 30 μ " Au PLATING (CONTACT POINT) OVER 50 μ " NICKEL
 - PRESSFIT TAIL: 20 μ " MIN - 60 μ " MAX Sn-Pb OVER 50 μ " NICKEL
 - HOLD DOWN: 50 μ " min Sn-Pb OVER 50 μ " NICKEL
- PER SFF REV 1.4 EXCEPT 0.8mm PITCH BUMP AREA.
- THE HOUSING WILL WITHSTAND EXPOSURE TO 260°C PEAK TEMPERATURE FOR 10 SECONDS IN A CONVECTION, INFRA-RED OR VAPOR PHASE REFLOW OVEN.
- THIS PRODUCT MEETS EUROPE UNION DIRECTIVES AND OTHER COUNTRY REGULATIONS AS DESCRIBED IN GS-22-008.
- A \triangle SYMBOL WILL BE NEXT TO ANY DIMENSION, VIEW, OR NOTE WHICH HAS BEEN MODIFIED WITH THE CURRENT REVISION.
- NOTE 6 NOT APPLICABLE TO TIN LEAD PLATING P/N XXXXXXXX-XXX IN TABLE.
- TIN/LEAD PLATED PRESS-FIT CONNECTORS ARE CONSIDERED EU "ROHS COMPLIANT" WITH THE EXEMPTION ALLOWED FOR COMPLIANT PIN CONNECTORS.



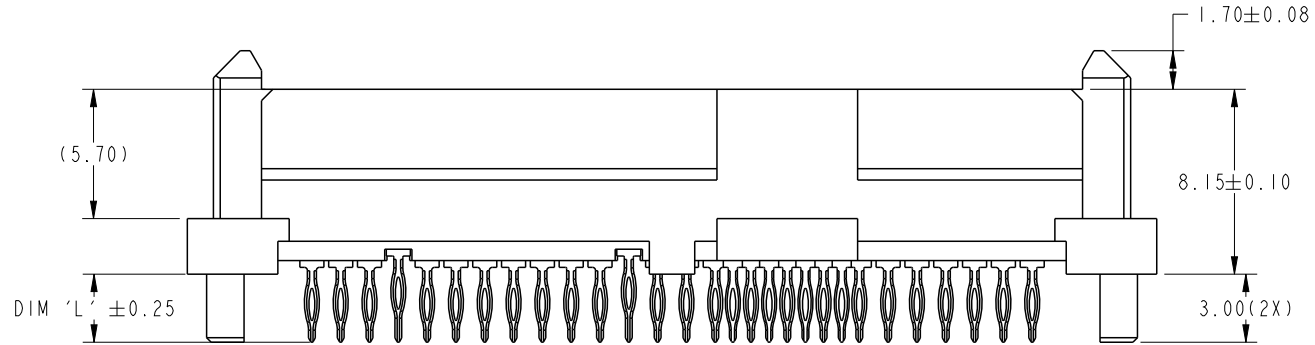
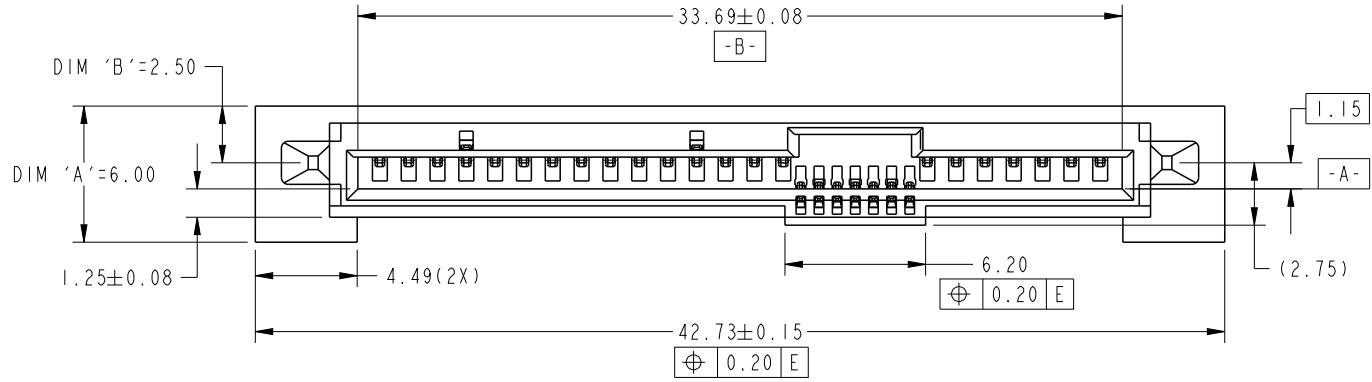
SECTION X-X



SECTION Y-Y

spec ref	SEE NOTES			dr	w cadmin	2005/10/11	projection 	MM 	size	A4	scale	1:1	
tolerance std	TOLERANCES UNLESS OTHERWISE SPECIFIED			eng	Noorhazelinda	2016/07/12			ecn no	ELX-M-24482-1			
ASME Y14.5				chr	-	-				rel level	Released		
surface	linear	0.X	±0.2	appr	Koon-Poh Tay	2016/07/18	product family		SAS RECEPTACLE PF STAGGER	dwg no	10045782	rev	L
		0.XX	±0.2				cat. no.						
	angular	0°	±2°										

PRODUCT NO	DIM 'A'	DIM 'B'	DIM 'L'	PLATING	RECOMMENDED P.C. BOARD THICKNESS
10045782-021LF	6.00	2.50	3.50	NOTE 2	2.67mm (0.105") - 3.175mm(0.125")
10045782-021				NOTE 3	



NOTES:
ALL OTHER UNSPECIFIED DIMENSIONS, REFER TO SHEET 1 & 2

SCALE 3:1

spec ref	SEE NOTES			dr	w wcadmin	2005/10/11	projection	MM	size	A4	scale	1:1	
tolerance std	TOLERANCES UNLESS OTHERWISE SPECIFIED			eng	Noorhazlinda	2016/07/12				ecn no	ELX-M-24482-1		
ASME Y14.5				chr	-	-				product family	SAS	rel level	Released
surface		0.X	±0.2		SAS RECEPTACLE PF STAGGER				10045782		L		
		0.XX	±0.2		Product - Customer Drw								sheet 3 of 3
	0.XXX	±0	Product - Customer Drw			sheet 3 of 3							
	angular	0°	±2°	Product - Customer Drw			sheet 3 of 3						

Mouser Electronics

Authorized Distributor

Click to View Pricing, Inventory, Delivery & Lifecycle Information:

[FCI / Amphenol:](#)

[10045782-001LF](#) [10045782-002LF](#) [10045782-011LF](#) [10045782-012LF](#)