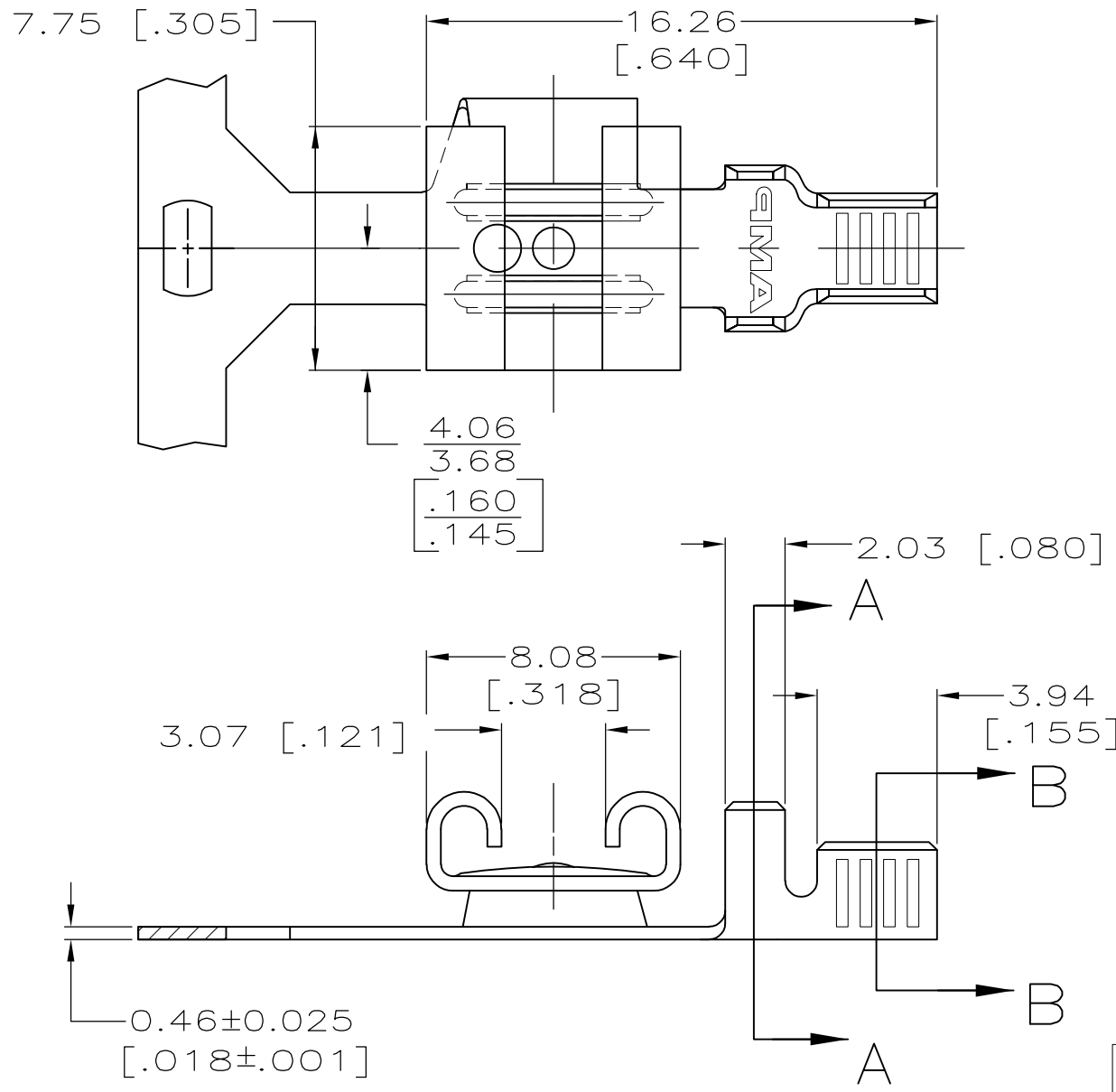
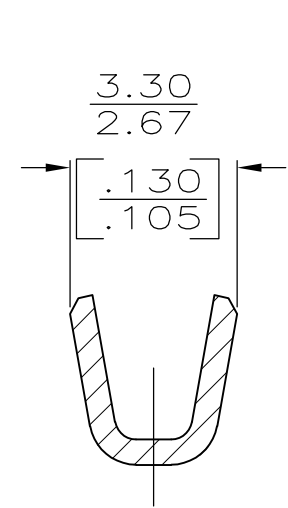


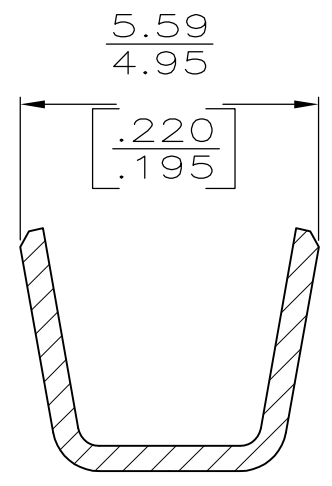
LOC	DIST	REVISIONS					
AF	50	P	LTR	DESCRIPTION	DATE	DWN	APVD
		C		REVISED PER ECR-11-018063	26DEC11	KH	PD



1 CONTINUOUS STRIP ON REELS.



SECTION B-B  
SCALE 8:1



SECTION A-A  
SCALE 8:1

2.29-3.30 DIA [.090-.130] DIA	[#20-#16] AWG	0.81 [.032]	63137-1
INSUL RANGE	WIRE SIZE	MATING TAB THK ±0.025 [.001]	PART NO

THIS DRAWING IS A CONTROLLED DOCUMENT.		DWN JR RUTH 9/9/94	TE Connectivity													
DIMENSIONS: mm [INCHES]		CHK MS FEHER 9/9/94														
TOLERANCES UNLESS OTHERWISE SPECIFIED:		APVD P DESANTIS 9/9/94	NAME RECEPTACLE, FASTON™ FLAG, REVERSIBLE, 6.35 [.250] SERIES													
<table border="1"> <tr><td>0 PLC</td><td>± -</td></tr> <tr><td>1 PLC</td><td>± -</td></tr> <tr><td>2 PLC</td><td>± 0.25 [.010]</td></tr> <tr><td>3 PLC</td><td>± -</td></tr> <tr><td>4 PLC</td><td>± -</td></tr> <tr><td>ANGLES</td><td>± -</td></tr> </table>		0 PLC	± -	1 PLC	± -	2 PLC	± 0.25 [.010]	3 PLC	± -	4 PLC	± -	ANGLES	± -	PRODUCT SPEC -	RESTRICTED TO -	
0 PLC	± -															
1 PLC	± -															
2 PLC	± 0.25 [.010]															
3 PLC	± -															
4 PLC	± -															
ANGLES	± -															
MATERIAL T3 PHOS BRZ	FINISH TIN	APPLICATION SPEC 114-2032	SIZE A3	CAGE CODE 00779	DRAWING NO C-63137											
CUSTOMER DRAWING			SCALE 5:1	SHEET 1 OF 1	REV C											

# Mouser Electronics

Authorized Distributor

Click to View Pricing, Inventory, Delivery & Lifecycle Information:

[TE Connectivity:](#)

[63137-1](#)