


THIS DRAWING IS UNPUBLISHED. RELEASED FOR PUBLICATION MAY, 2010.
 © COPYRIGHT 2010 By - ALL RIGHTS RESERVED.

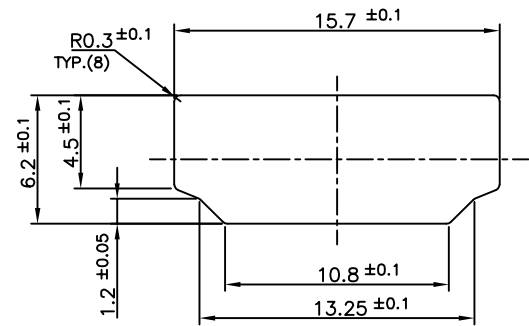
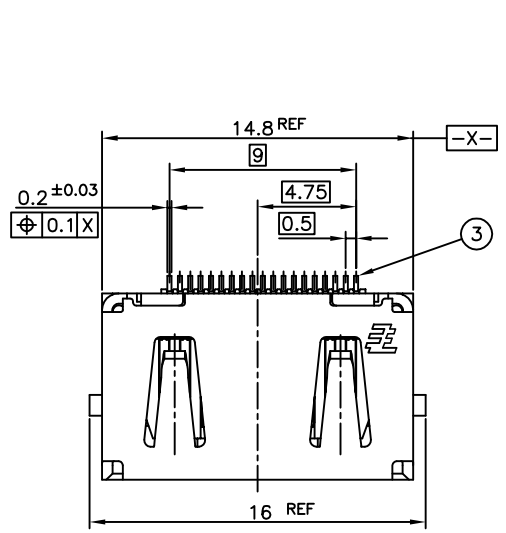
LOC	DIST	REVISIONS 変更					
ES	/	P	LTR	DESCRIPTION	DATE	DWN	APVD
		B2		REVISED ECR-11-023607	21NOV2011	J.H	S.Y

- 1 CONTACT COPLANALITY IS 0.1 MAX.
- △ THIS DIMENSION MEANS CENTER OF THE POCKET.
- △ M3 TAPPING + BVTP RECOMMENDED TORQUE: 68.6N (7Kgf) MAX.
- △ FINISH
- CONTACT: V μm MIN. Au PL. ON CONTACT AREA (V: SEE TABLE)
- 0.03~0.1 μm Au PL. ON TERMINAL AREA
- Ni UNDER PL. ALL OVER
- SHELL: Sn PL. (MATTE) ALL OVER
- Ni UNDER PL. ALL OVER
- △ SCREW SIZE
- △ QTY PRINT ON THE LABEL. (EMBOSS PACKING)

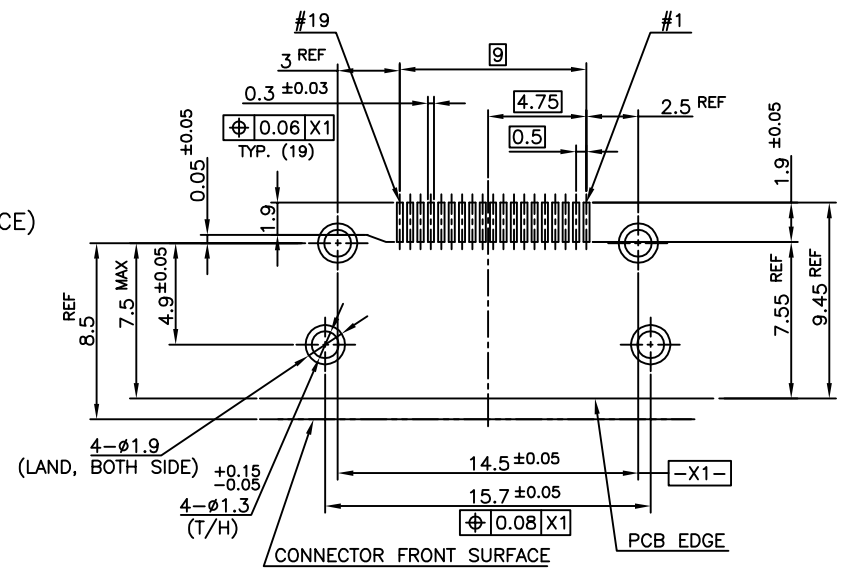
(B2)	0.1	-	△ 550	0.9	-	-	-	-	33.5	37.5	9.32	0.4	32	28.4	14.2	16	WITHOUT TAPE	WITHOUT FLANGE	THROUGH HOLE	(SEE SHEET 2)	EMBOSS (SEE SHEET 5)	1932649-6	
	0.3	M3 x 0.5	70	1.9	46	138	6-23	46	-	-	-	-	-	-	-	-	WITHOUT TAPE	WITH FLANGE	THROUGH HOLE	(SEE SHEET 4)	SOFT TRAY (SEE SHEET 6)	2-1932649-5	
	0.3	M3 x 0.5	70	1.9	46	138	6-23	46	-	-	-	-	-	-	-	-	WITHOUT TAPE	WITH FLANGE	THROUGH HOLE	(SEE SHEET 3)	SOFT TRAY (SEE SHEET 6)	1-1932649-5	
	0.3	M3 x 0.5	70	1.9	46	138	6-23	46	-	-	-	-	-	-	-	-	WITHOUT TAPE	WITH FLANGE	THROUGH HOLE	(SEE SHEET 3)	SOFT TRAY (SEE SHEET 6)	1-1932649-2	
	0.1	M3 x 0.5	70	1.9	46	138	6-23	46	-	-	-	-	-	-	-	-	WITHOUT TAPE	WITH FLANGE	THROUGH HOLE	(SEE SHEET 3)	SOFT TRAY (SEE SHEET 6)	1932649-5	
	0.1	M3 x 0.5	70	1.9	46	138	6-23	46	-	-	-	-	-	-	-	-	WITHOUT TAPE	WITH FLANGE	THROUGH HOLE	(SEE SHEET 3)	SOFT TRAY (SEE SHEET 6)	1932649-4	
	0.1	M3 x 0.5	△ 200	1.9	-	-	-	-	45.5	49.5	18.3	0.5	44	40.4	20.2	20	WITHOUT TAPE	WITH FLANGE	THROUGH HOLE	(SEE SHEET 3)	EMBOSS (SEE SHEET 5)	1932649-3	
	0.1	△ 2.65±0.3	70	1.9	46	138	6-23	46	-	-	-	-	-	-	-	-	WITHOUT TAPE	WITH FLANGE	THROUGH HOLE	(SEE SHEET 3)	SOFT TRAY (SEE SHEET 6)	1932649-2	
	0.1	-	△ 550	1.9	-	-	-	-	33.5	37.5	9.32	0.4	32	28.4	14.2	16	WITHOUT TAPE	WITHOUT FLANGE	THROUGH HOLE	(SEE SHEET 2)	EMBOSS (SEE SHEET 5)	1932649-1	
	V	U	T	AA	S	R	P	N	M	L	K	J	H	G	F	E	POLYIMIDE TAPE	FLANGE	SHELL TYPE	CONNECTOR	PACKING	PART NUMBER	
	△ Au PL.	△ SCREW SIZE	QTY	DIMENSION												PART LIST							

THIS DRAWING IS A CONTROLLED DOCUMENT.		DWN C.FISHER 20MAY2010	 TE Connectivity	
DIMENSIONS: 單位: 稱 mm		CHK L.MARTIN 20MAY2010		
TOLERANCES UNLESS OTHERWISE SPECIFIED: 一般公差		APVD Y.STEVEN 20MAY2010	NAME 名稱 HDMI 19 POS RECEPTACLE ASSY SMT SHORT TYPE	
0 PLC ± 1 PLC ± 2 PLC ± 3 PLC ± 4 PLC ± ANGLES ±		PRODUCT SPEC 製品規格 108-78180-8	SIZE A3	
MATERIAL 材料		APPLICATION SPEC 取付適用規格	CAGE CODE 00779	DRAWING NO 番号 C=1932649
FINISH 仕上		WEIGHT	RESTRICTED TO	
CUSTOMER DRAWING			SCALE 尺度 4:1	SHEET 1 OF 7
			REV B2	

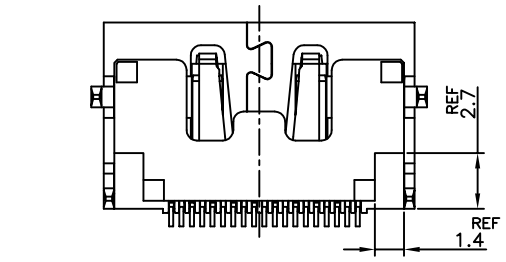
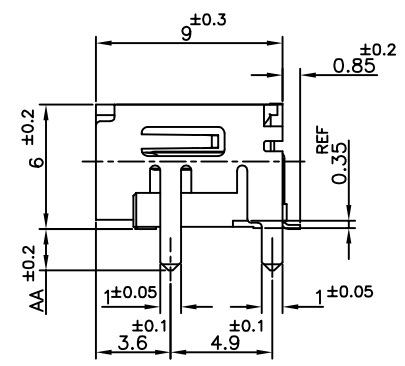
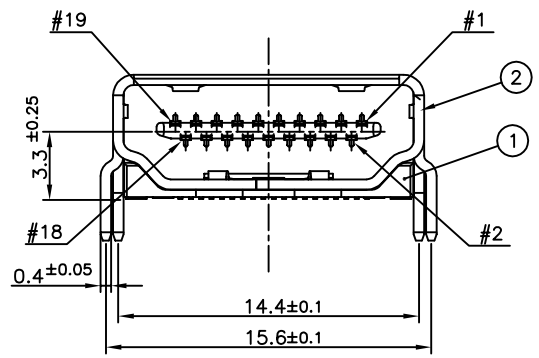
LOC	DIST	REVISIONS					
ES		P	LTR	DESCRIPTION	DATE	DWN	APVD
		-		SEE SHEET 1	-	-	-



PANEL CUT OUT DIMENSION (REFERENCE)



P.C.B LAYOUT (REFERENCE)
SHOWN AS CONNECTOR MOUNTING SIDE
TOLERANCE: NON-CUMULATIVE



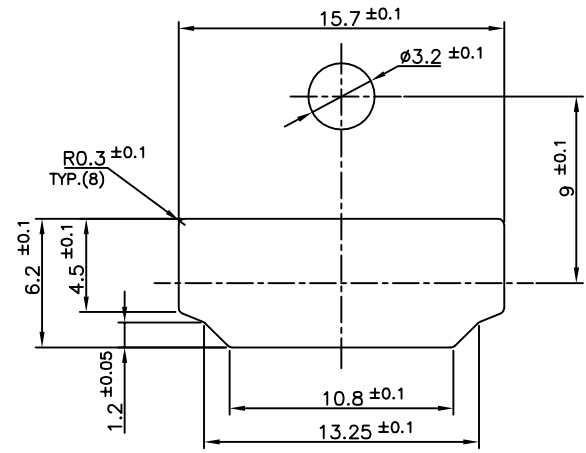
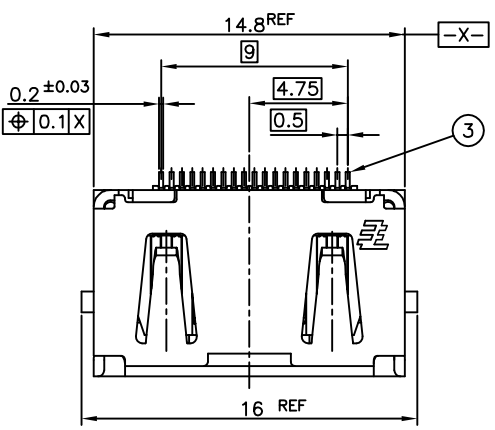
CONNECTOR: WITHOUT FLANGE THROUGH HOLE TYPE

BRASS	CONTACT	③
STAINLESS STEEL	SHELL	②
GLASS FILLED LCP UL94V-0, BLACK COLOR	HOUSING	①
MATERIAL	DESCRIPTION	ITEM

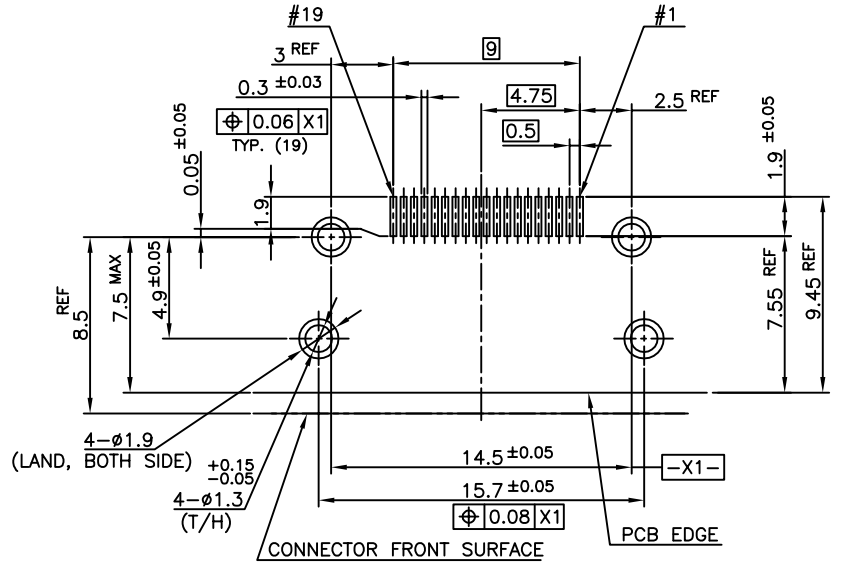
THIS DRAWING IS A CONTROLLED DOCUMENT.		DWN	TE Connectivity	
DIMENSIONS: 單位: 毫米 mm		CHK		
TOLERANCES UNLESS OTHERWISE SPECIFIED: 一般公差		APVD	NAME 名稱	
0 PLC ± 1 PLC ± 2 PLC ± 3 PLC ± 4 PLC ± ANGLES ±		PRODUCT SPEC 製品規格	HDMI 19 POS RECEPTACLE ASSY SMT SHORT TYPE	
MATERIAL 材料	FINISH 仕上	APPLICATION SPEC 取付適用規格	SIZE A3	CAGE CODE 00779
		WEIGHT	DRAWING NO. C=1932649	RESTRICTED TO
		CUSTOMER DRAWING	SCALE 尺度 4:1	SHEET 2 of 7
				REV B2

THIS DRAWING IS UNPUBLISHED. RELEASED FOR PUBLICATION SEP ,2005.
 © COPYRIGHT 2005 By - ALL RIGHTS RESERVED.

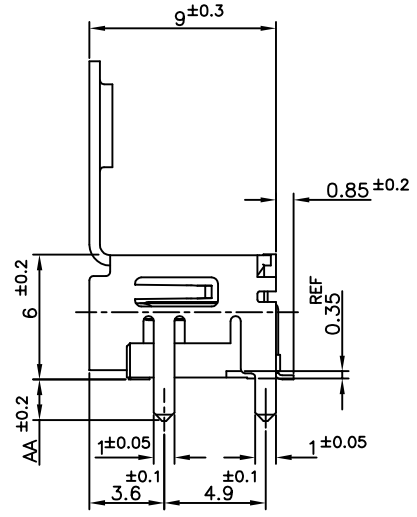
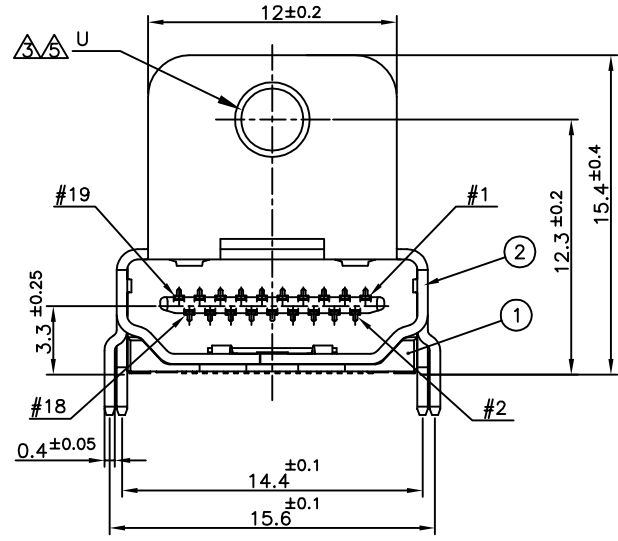
LOC	DIST	REVISIONS		
ES		P	LTR	DATE
		-	SEE SHEET 1	-



PANEL CUT OUT DIMENSION (REFERENCE)

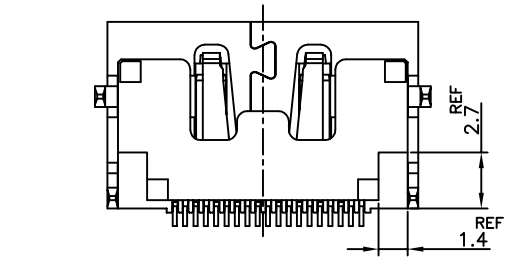


P.C.B LAYOUT (REFERENCE)
 SHOWN AS CONNECTOR MOUNTING SIDE
 TOLERANCE: NON-CUMULATIVE



CONNECTOR: WITH FLANGE THROUGH HOLE TYPE

BRASS	CONTACT	③
STAINLESS STEEL	SHELL	②
GLASS FILLED LCP UL94V-0, BLACK COLOR	HOUSING	①
MATERIAL	DESCRIPTION	ITEM



THIS DRAWING IS A CONTROLLED DOCUMENT.

DIMENSIONS: 單位: 毫米 mm	TOLERANCES UNLESS OTHERWISE SPECIFIED: 一般公差	DWN	CHK	APVD	NAME 名稱
0 PLC ±	1 PLC ±	PRODUCT SPEC 製品規格	APPLICATION SPEC 取付適用規格	WEIGHT	SIZE A3
2 PLC ±	3 PLC ±	WEIGHT	CUSTOMER DRAWING	CAGE CODE 00779	DRAWING NO C=1932649
4 PLC ±	ANGLES ±	FINISH 仕上	SCALE 尺度 4:1	SHEET 3 of 7	RESTRICTED TO REV B2

TE Connectivity
 HDMI 19 POS RECEPTACLE ASSY
 SMT SHORT TYPE

4

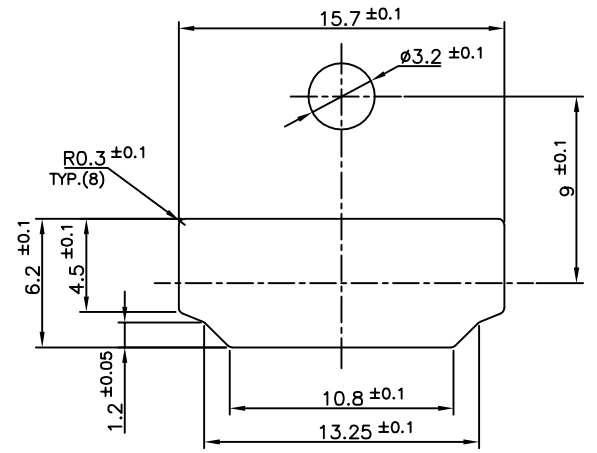
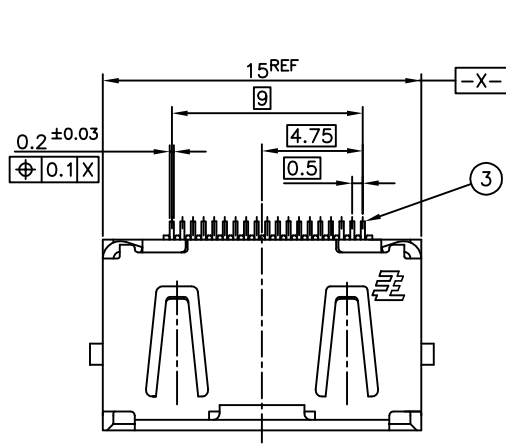
3

2

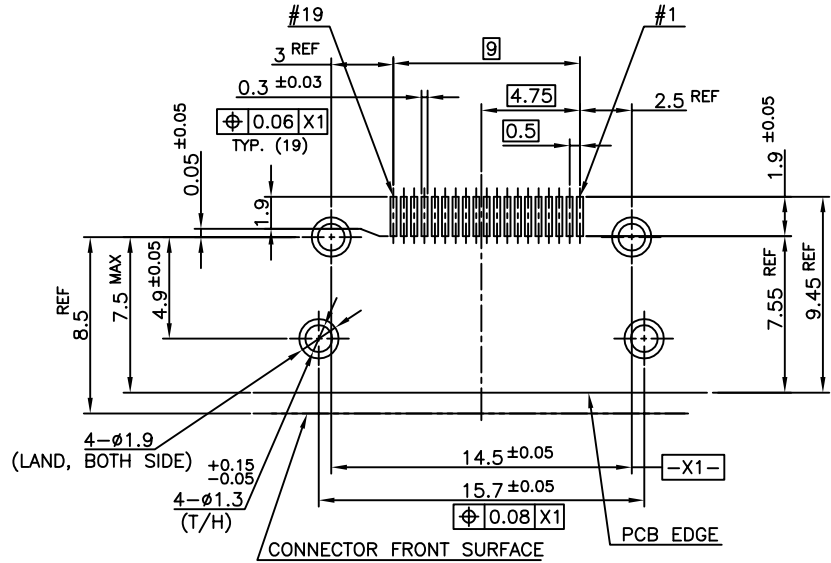
1

THIS DRAWING IS UNPUBLISHED. RELEASED FOR PUBLICATION SEP., 2005. ALL RIGHTS RESERVED.
 © COPYRIGHT 2005 By -

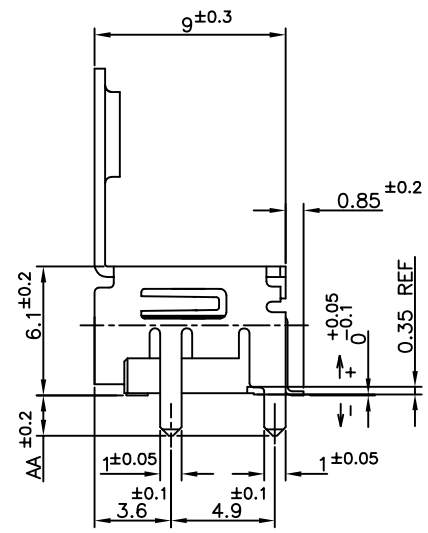
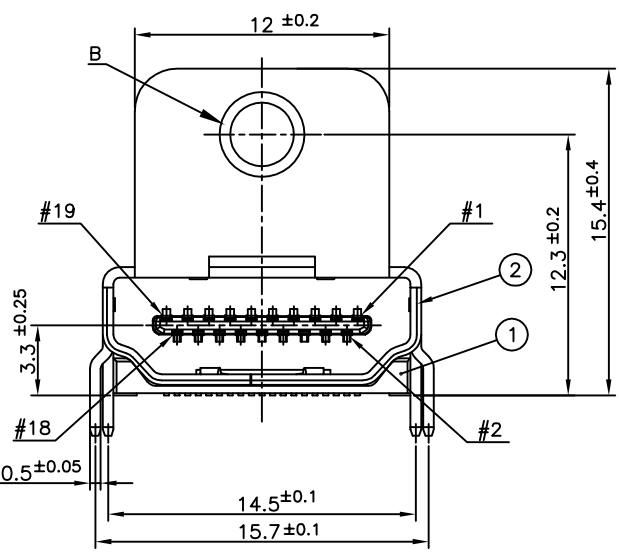
LOC	DIST	REVISIONS			DATE	DWN	APVD
ES		変更					
P	LTR	DESCRIPTION					
		SEE SHEET 1					



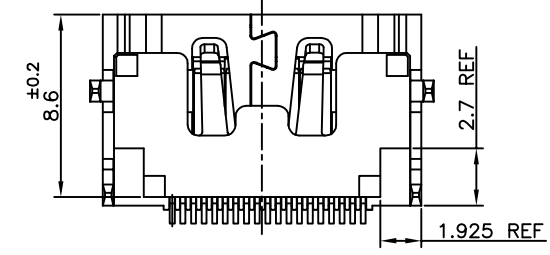
PANEL CUT OUT DIMENSION (REFERENCE)



P.C.B LAYOUT (REFERENCE)
 SHOWN AS CONNECTOR MOUNTING SIDE
 TOLERANCE: NON-CUMULATIVE



CONNECTOR: WITH FLANGE THROUGH HOLE TYPE



BRASS	CONTACT	③
BRASS	SHELL	②
GLASS FILLED LCP UL94V-0, BLACK COLOR	HOUSING	①
MATERIAL	DESCRIPTION	ITEM

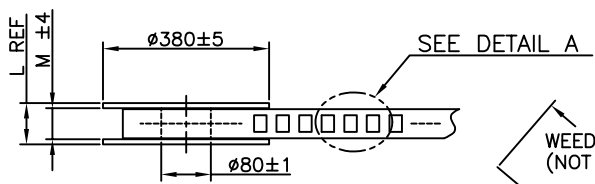
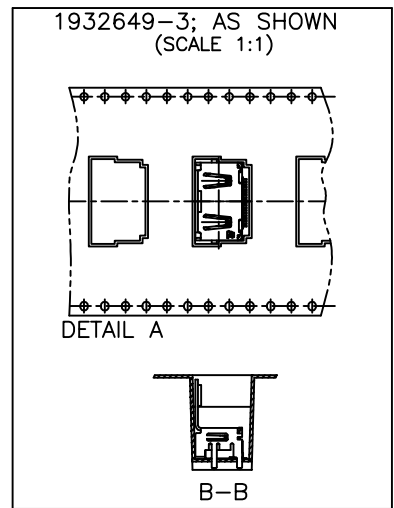
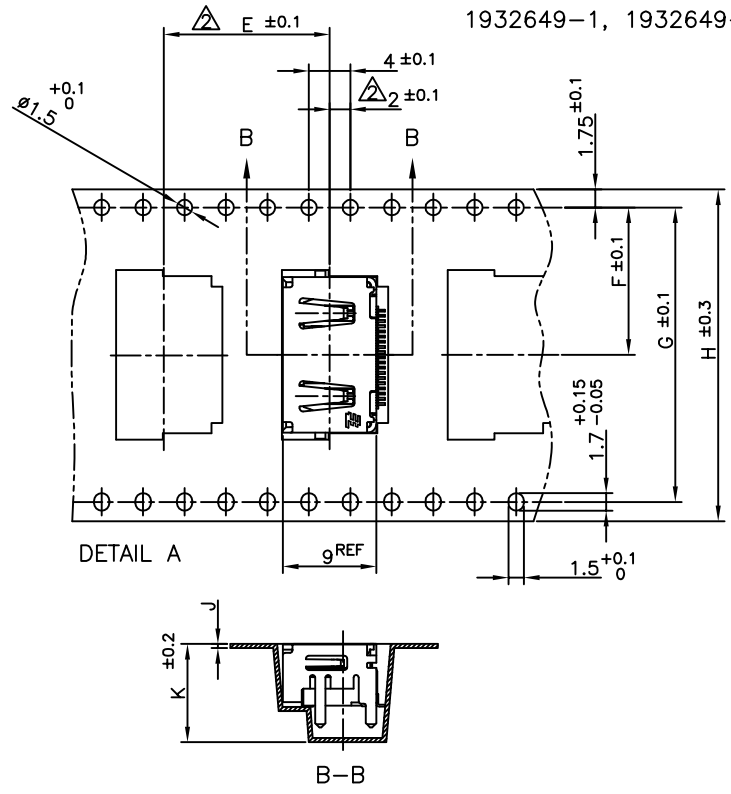
THIS DRAWING IS A CONTROLLED DOCUMENT.

DIMENSIONS: 單位: 稱 mm	TOLERANCES UNLESS OTHERWISE SPECIFIED: 一般公差	DWN	CHK	APVD	NAME 名稱	TE Connectivity		
0 PLC ±	1 PLC ±	PRODUCT SPEC 製品規格	APPLICATION SPEC 取付適用規格	WEIGHT	SIZE	CAGE CODE	DRAWING NO 番号	RESTRICTED TO
2 PLC ±	3 PLC ±	4 PLC ANGLES ±	FINISH 仕上	CUSTOMER DRAWING	A3	00779	C=1932649	
					SCALE 尺度	4:1	SHEET 4 OF 7	REV B2

HDMI 19 POS RECEPTACLE ASSY SMT SHORT TYPE

LOC ES	DIST -	REVISIONS 変更			DATE	DWN	APVD
P	LTR	DESCRIPTION					
-	-	SEE SHEET 1		-	-	-	-

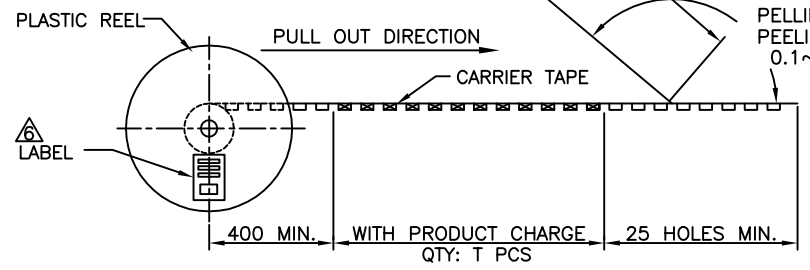
1932649-1, 1932649-6; AS SHOWN



WEEDING THE COVER TAPE: 300 MIN (NOT INCLUDE EMPTINESS POCKET)
 PELLING ANGLE: 165°~180°
 PEELING STRENGTH: 0.1~0.7N (300mm/min.)

△ LABEL DESCRIPTION
 TYCO P/N: *-1932649-*
 QTY: * pcs
 D/C:
 MADE IN CHINA

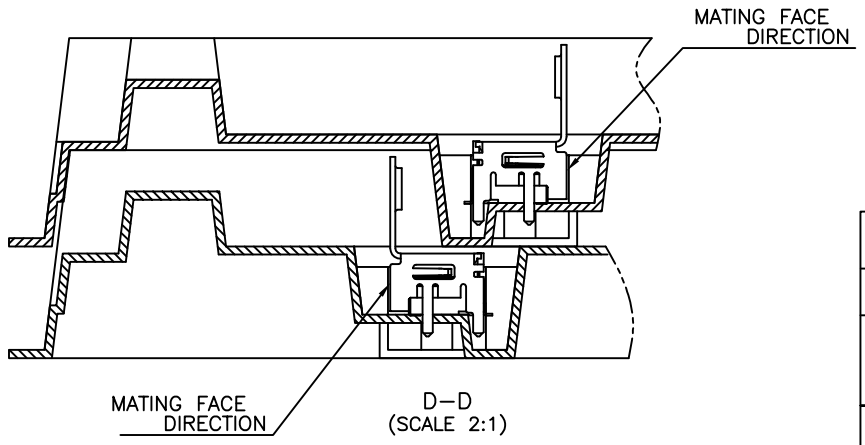
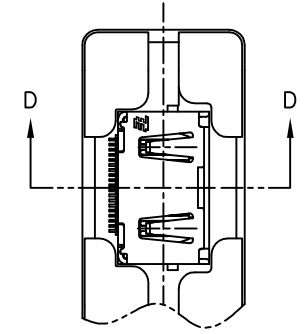
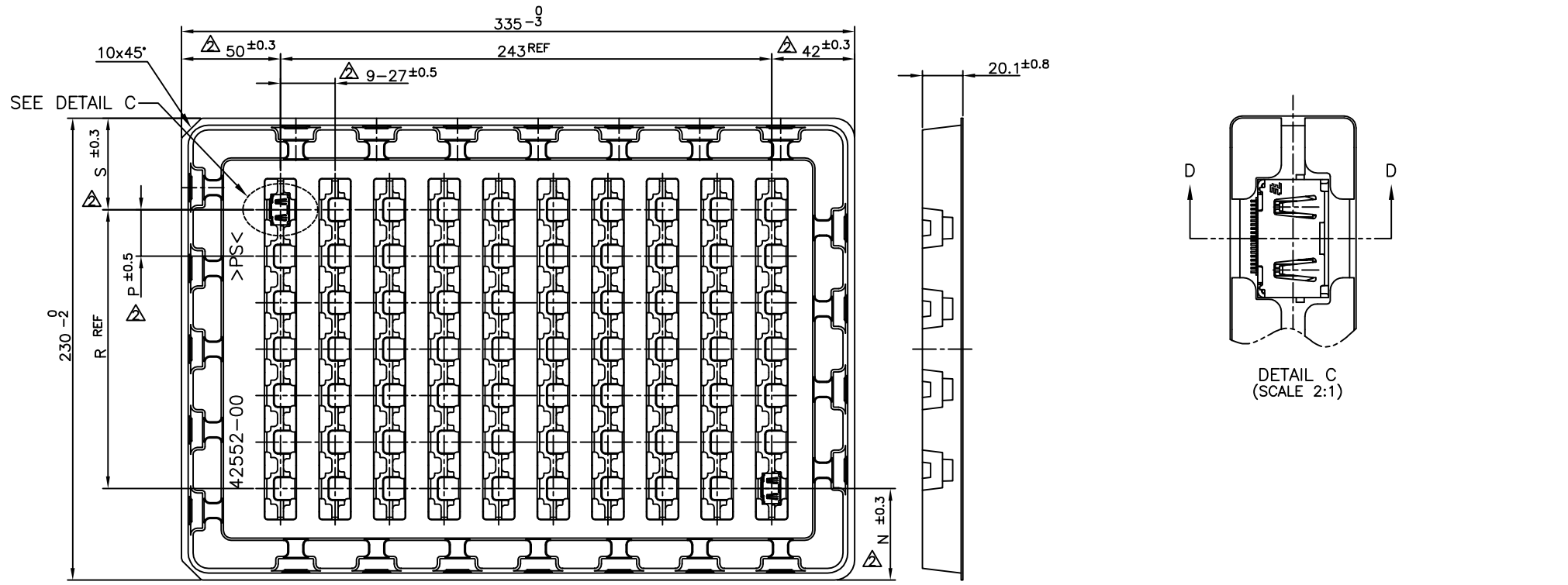
PET	COVER TAPE
PS	CARRIER TAPE
PLASTIC	REEL
MATERIAL	DESCRIPTION



THIS DRAWING IS A CONTROLLED DOCUMENT.		DWN	STE TE Connectivity		
DIMENSIONS: 單位: 毫米 mm		CHK			
TOLERANCES UNLESS OTHERWISE SPECIFIED: 一般公差		APVD	NAME 名稱 HDMI 19 POS RECEPTACLE ASSY SMT SHORT TYPE		
0 PLC ±		PRODUCT SPEC 製品規格	SIZE	CAGE CODE	DRAWING NO 圖號
1 PLC ±		APPLICATION SPEC 取付適用規格	A3	00779	G=1932649
2 PLC ±		WEIGHT	RESTRICTED TO 番号		
3 PLC ±		CUSTOMER DRAWING	SCALE 尺度	SHEET 5 of 7	REV B2
4 PLC ±			4:1		
ANGLES ±					
FINISH 仕上					
MATERIAL 材料					

LOC	DIST	REVISIONS		
ES		变更	DATE	DWN
		DESCRIPTION		APVD
		P LTR		
		-	SEE SHEET 1	-

1932649-2, 1932649-4, 1932649-5, 1-1932649-2, 1-1932649-5, 2-1932649-5; AS SHOWN



THIS DRAWING IS A CONTROLLED DOCUMENT.		DWN	PS MATERIAL		TE Connectivity
DIMENSIONS: 單位: 毫米 mm	TOLERANCES UNLESS OTHERWISE SPECIFIED: 一般公差	CHK	APVD		NAME 名稱
0 PLC ±	1 PLC ±	APVD	PRODUCT SPEC 製品規格		HDMI 19 POS RECEPTACLE ASSY SMT SHORT TYPE
2 PLC ±	3 PLC ±	PRODUCT SPEC 製品規格	APPLICATION SPEC 取付適用規格		SIZE CAGE CODE DRAWING NO 番号
4 PLC ±	ANGLES ±	APPLICATION SPEC 取付適用規格	WEIGHT		RESTRICTED TO
MATERIAL 材料	FINISH 仕上	WEIGHT	CUSTOMER DRAWING		A3 00779 C=1932649
		CUSTOMER DRAWING	SCALE 尺度 4:1	SHEET 6 of 7	REV B2

4

3

2

1

THIS DRAWING IS UNPUBLISHED.

RELEASED FOR PUBLICATION

MAY ,2010.

© COPYRIGHT 2010 By -

ALL RIGHTS RESERVED.

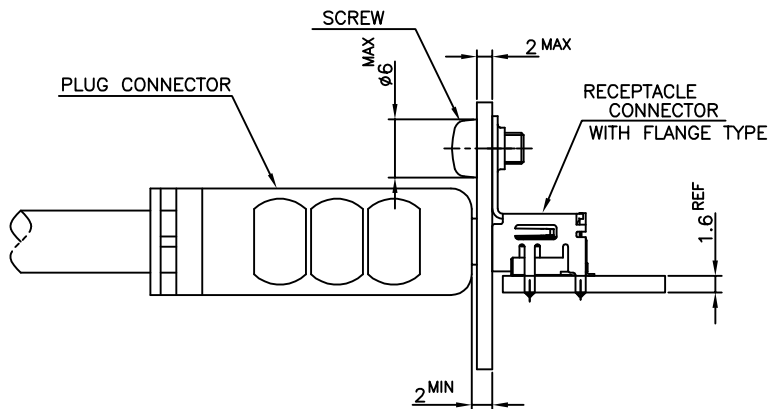
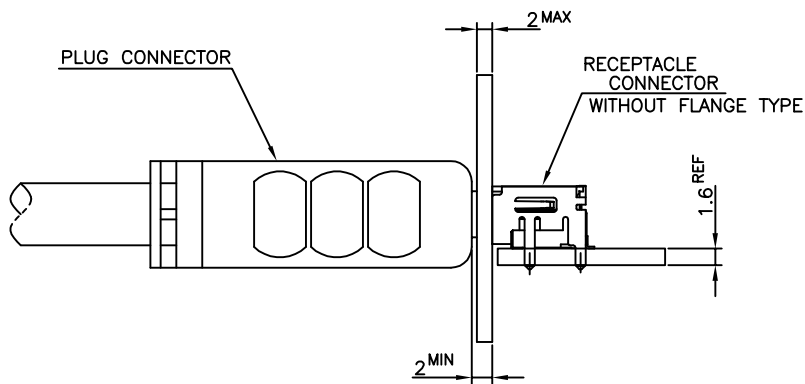
LOC
ES

DIST
/

REVISIONS

変更

P	LTR	DESCRIPTION	DATE	DWN	APVD
-	-	SEE SHEET 1	-	-	-



MATING CONDITION (REFERENCE)
(SCALE 2:1)

THIS DRAWING IS A CONTROLLED DOCUMENT.		DWN		TE TE Connectivity	
DIMENSIONS: 單位: 毫米 mm		CHK			
		APVD		NAME 名稱	
		PRODUCT SPEC 製品規格		HDMI 19 POS RECEPTACLE ASSY SMT SHORT TYPE	
MATERIAL 材料		APPLICATION SPEC 取付適用規格		DRAWING NO 番号	
		WEIGHT		RESTRICTED TO	
FINISH 仕上		CUSTOMER DRAWING		SCALE 尺度 4:1	
TOLERANCES UNLESS OTHERWISE SPECIFIED: 一般公差		A3 00779 C=1932649		SHEET 7 of 7	
0 PLC ±		DRAWING NO		REV B2	
1 PLC ±		SCALE		REV	
2 PLC ±		尺度		B2	
3 PLC ±		4:1		REV	
4 PLC ±		SHEET		REV	
ANGLES ±		7 of 7		REV	

Mouser Electronics

Authorized Distributor

Click to View Pricing, Inventory, Delivery & Lifecycle Information:

[TE Connectivity:](#)

[1-1932649-2](#)