

THIS DRAWING IS UNPUBLISHED. RELEASED FOR PUBLICATION
 BY TYCO ELECTRONICS CORPORATION. ALL RIGHTS RESERVED.

LOC		DIST		REVISIONS				
P	LTR	DESCRIPTION	ECN	DATE	DWN	APVD		
	O	PROPOSED	FJ00-1822-01	29AUG2001	N.Y	N.S		
	A	REVISED	FJ00-0565-02	12APR2002	D.M	N.S		
	AI	REVISED	ECR-05-000898	24MER05	D.M	K.S		

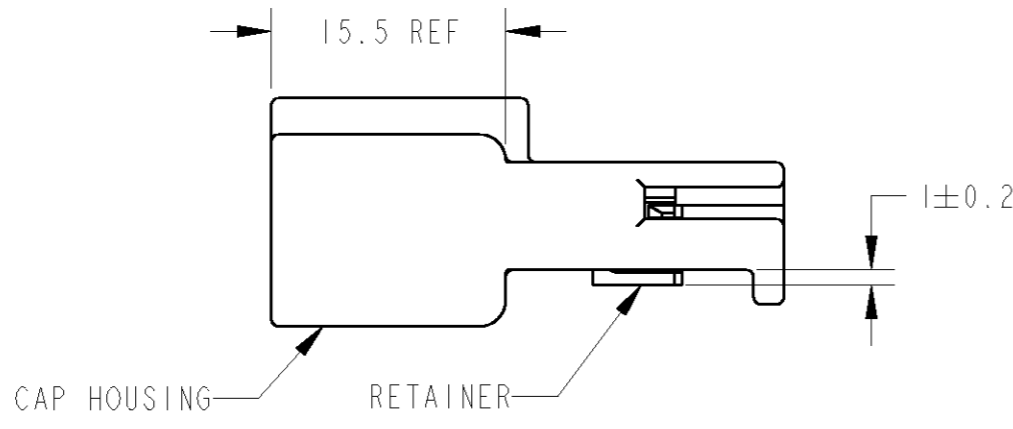
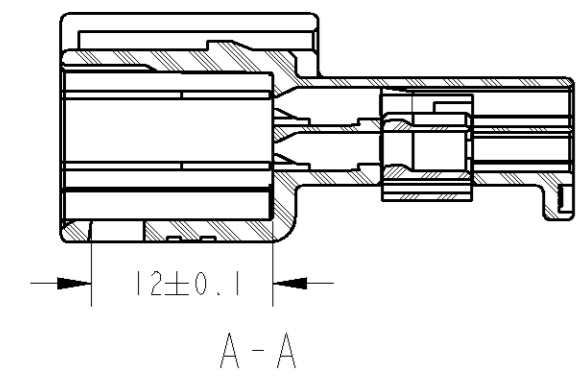
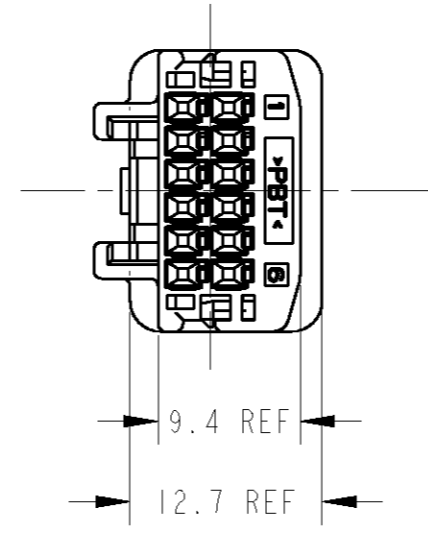
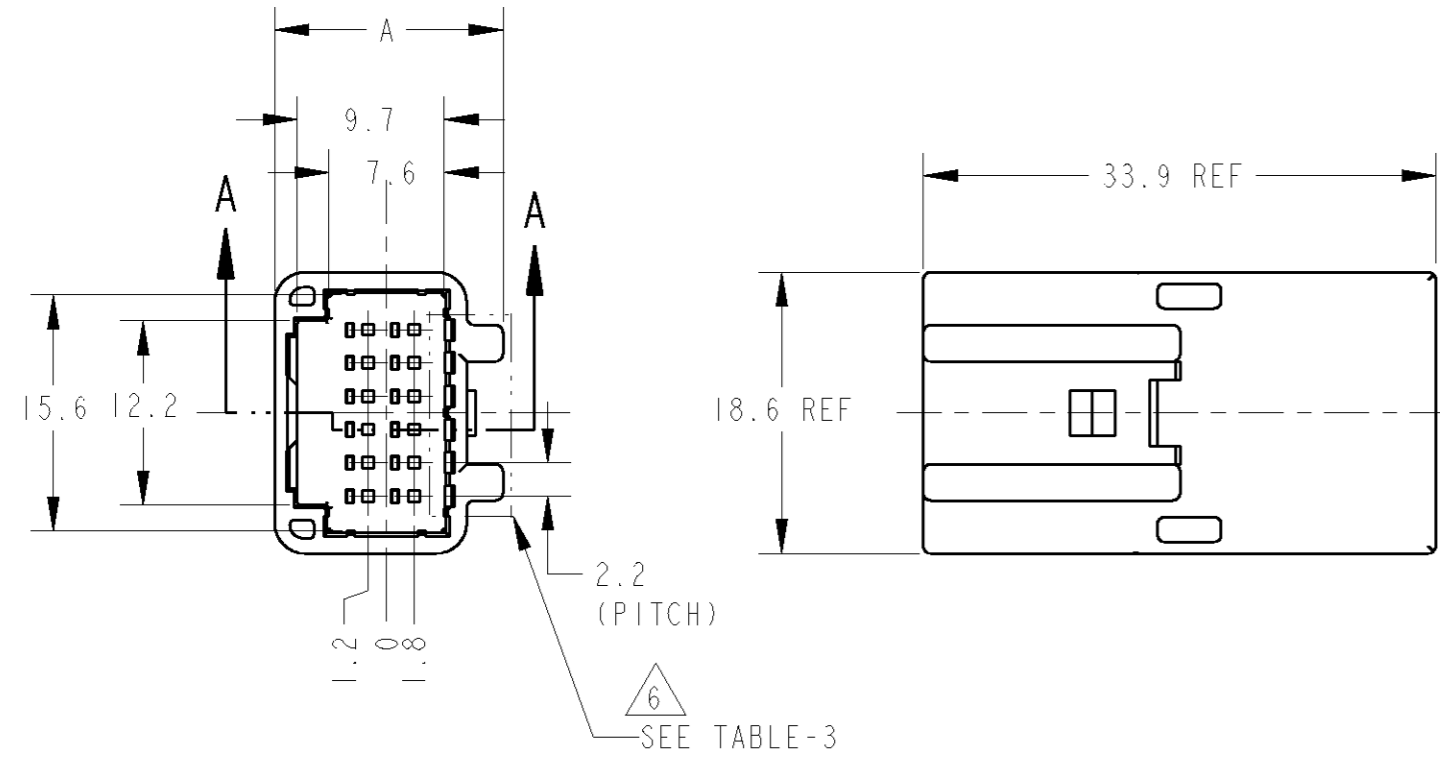
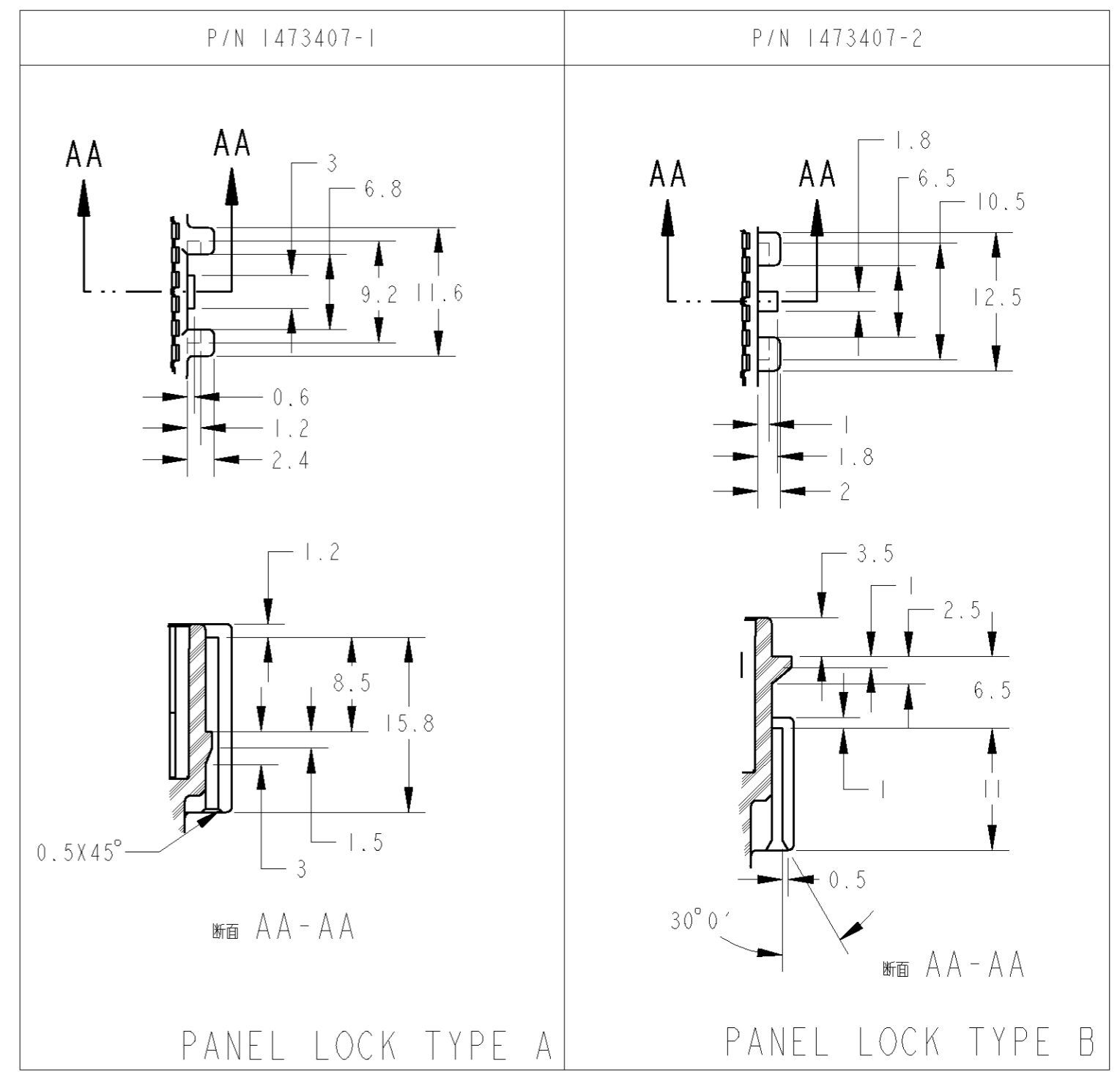
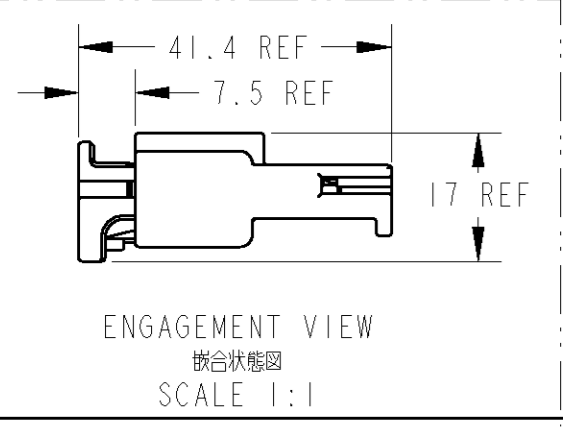


TABLE-3 \triangle 6



PARTNO.	DIMENSION A 寸法 A	DIMENSION B 寸法 B
1473407-2	15.1 REF	17.0 REF
1473407-1	14.7 REF	16.6 REF



1. キャップハウジングにリテーナを仮係止して出荷される。
2. 仮係止時、リテーナがハウジングの外側に出ていること。
3. 取扱説明書NO.411-78011
4. 嵌合相手型番; TABLE-1参照
5. 適用端子; TABLE-2参照
6. \triangle 本製品には2種類のパネルロック形状がある TABLE-3参照

1. RETAINER MUST BE SET TO THE PRE-ASSEMBLY POSITION WITHIN THE CAP HOUSING WHEN SHIPPED TO THE CUSTOMER.
2. RETAINER MUST BE OUT SIDE OF CAP HOUSING AT PRE-ASSEMBLY
3. INSTRUCTION SHEET NO. 411-78011.
4. PART NUMBER OF PLUG HOUSING TO BE MATED; SEE TABLE-1
5. APPLICABLE TERMINAL; TABLE-2
6. \triangle PANEL LOCK VARIATIONS; REFFER TO TABLE-3

TABLE-1

POS 極数	TERMINATION TYPE 結線方式	PLUG ASSEMBLY PART NO. 嵌合相手型番
12	CRIMP	1318774

TABLE-2

TYPE 端子種類	FINISH 仕上	APPLICABLE TERMINAL P/N	APPLICABLE WIRE RANGE 適用電線
SIGNAL 025	TIN	1674742-1	AVSS/CAVS/CAVUS/AVSSH-f 0.3~0.5mm ²

PAPER BOX ダンボール箱	PLASTIC BAG ビニール袋	TYPE B	NATURAL	1473407-2
PAPER BOX ダンボール箱	PLASTIC BAG ビニール袋	TYPE A	NATURAL	1473407-1
OUTER 外表	INNER 内表	パネルロックタイプ \triangle 6	COLOR 色	PART NUMBER 型番
PACKING STYLE 梱包形態		PANEL LOCK TYPE		

THIS DRAWING IS A CONTROLLED DOCUMENT FOR TYCO ELECTRONICS CORPORATION IT IS SUBJECT TO CHANGE AND THE CONTROLLING ENGINEERING ORGANIZATION SHOULD BE CONTACTED FOR THE LATEST REVISION.		DWN N. YASUDA 29AUG2001	Tyco Electronics AMP K.K. Kawasaki, Japan	
DIMENSIONS: 単位: 純 mm		CHK T. KOHNO 29AUG2001	NAME 名称 025 G CONNECTOR 12POSITION CAP HOUSING ASSEMBLY	
TOLERANCES UNLESS OTHERWISE SPECIFIED: 一般公差 ±0.3 0-PLC ±0.5 1-PLC ±0.3 2-PLC ±0.13 3-PLC ±0.013 4-PLC ±0.0001 ANGLES ±0°00'		APVD N. SAI 29AUG2001	SIZE A2	
MATERIAL 材料 PBT		FINISH 仕上 NATURAL	PRODUCT SPEC 製品規格 108-5787	RESTRICTED TO -
		APPLICATION SPEC 取付適用規格 114-5340	WEIGHT 3.7g	SCALE 2:1
		CUSTOMER DRAWING	DRAWING NO. 00779	SHEET 1 OF 1
			DRAWING NO. 1473407	REV A1

Mouser Electronics

Authorized Distributor

Click to View Pricing, Inventory, Delivery & Lifecycle Information:

[TE Connectivity:](#)

[1473407-1](#)