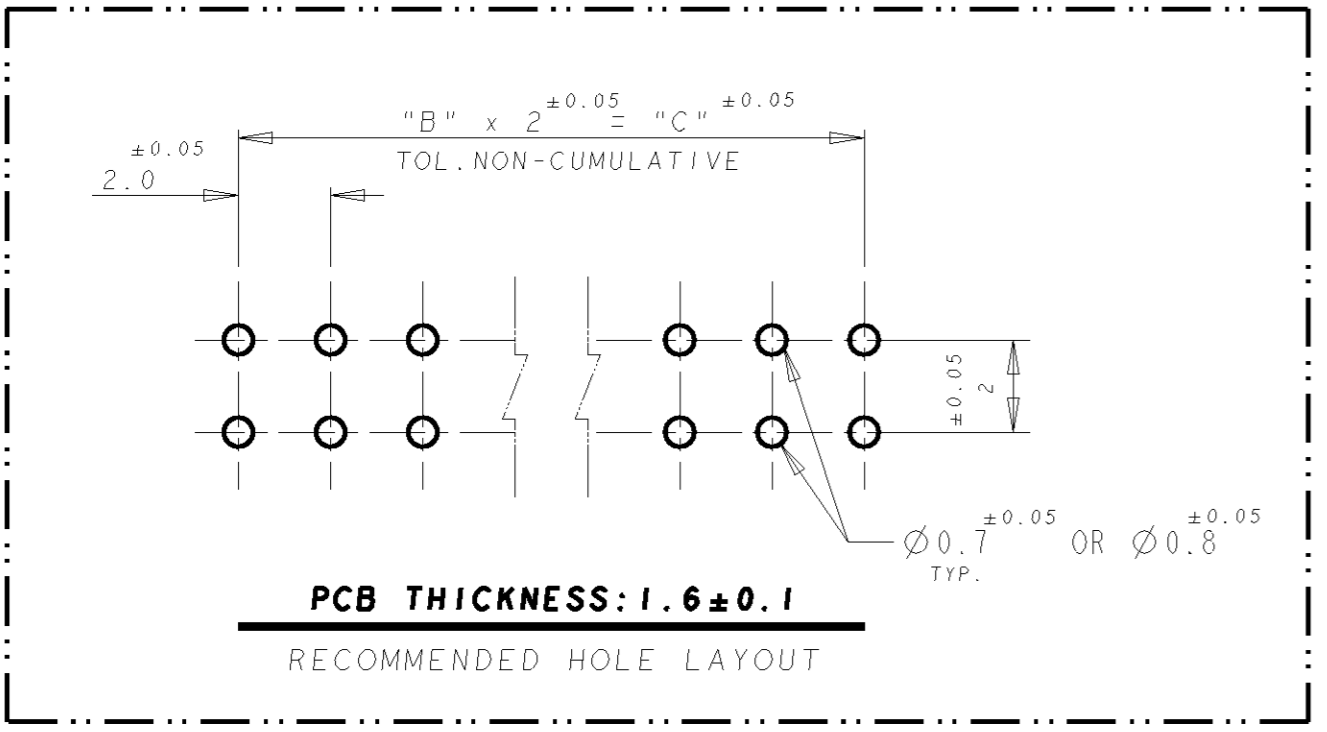
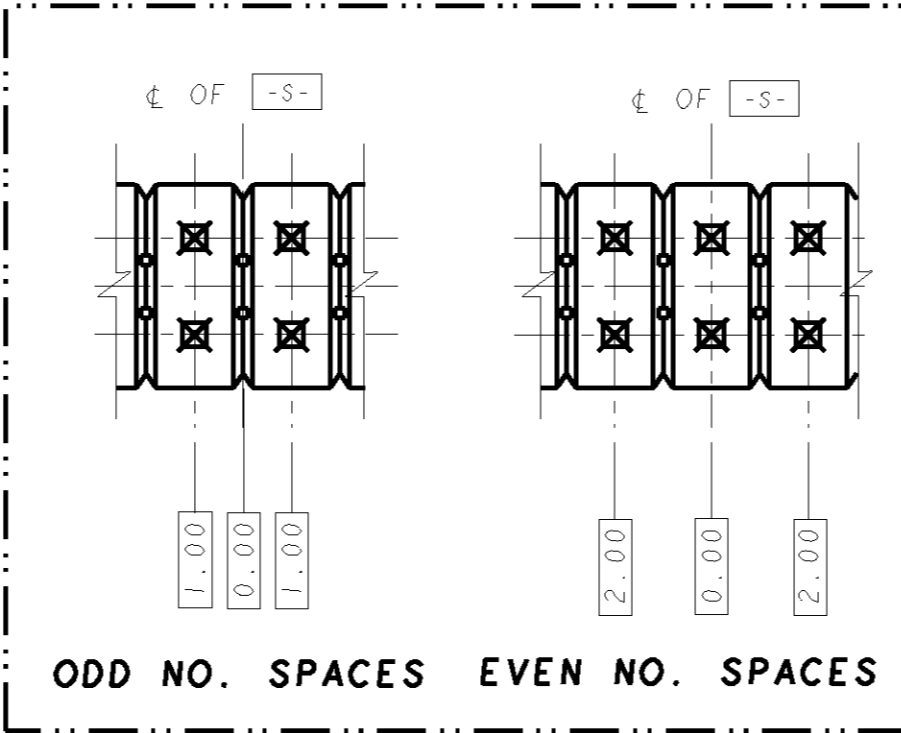
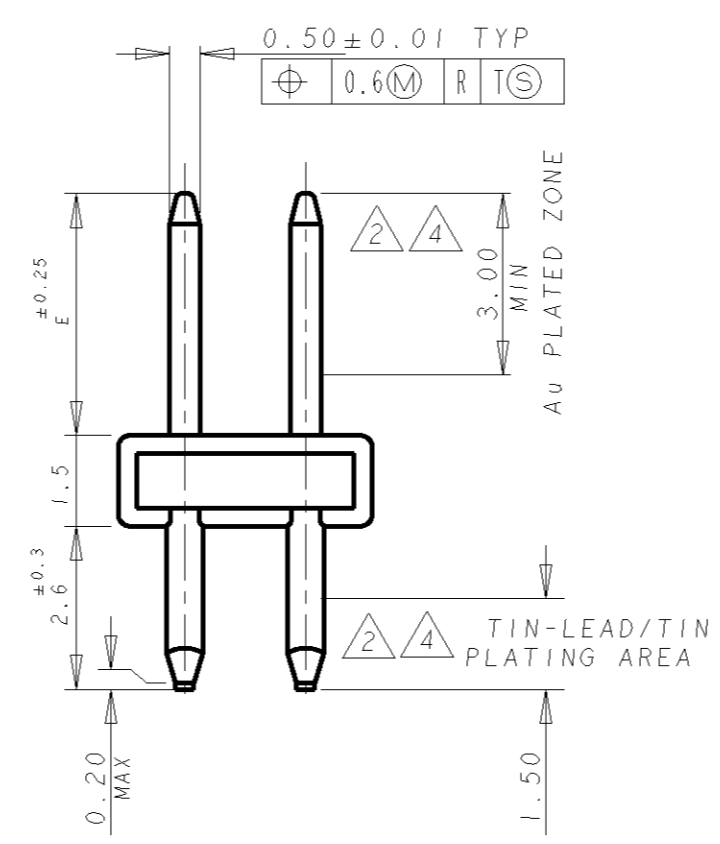
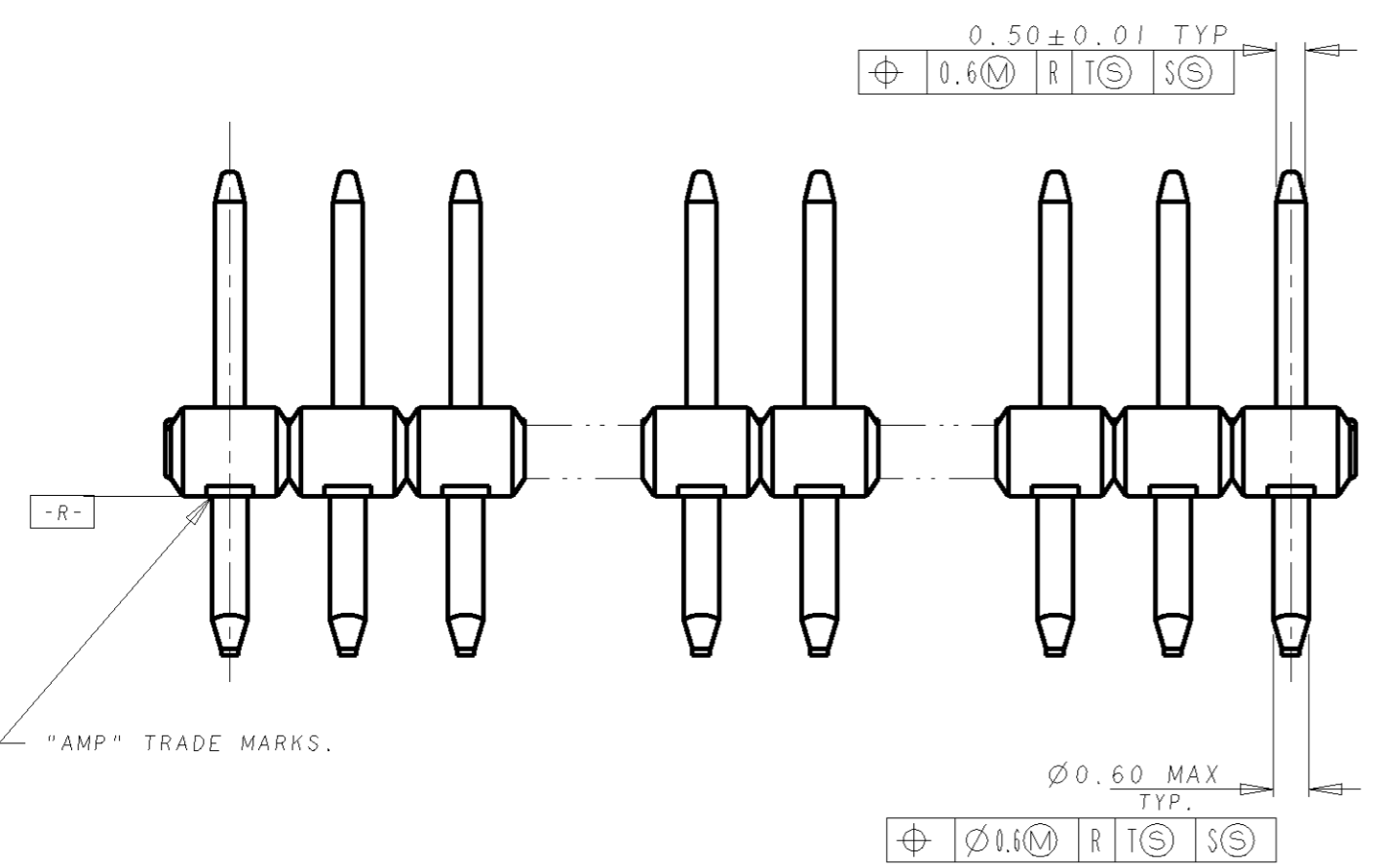
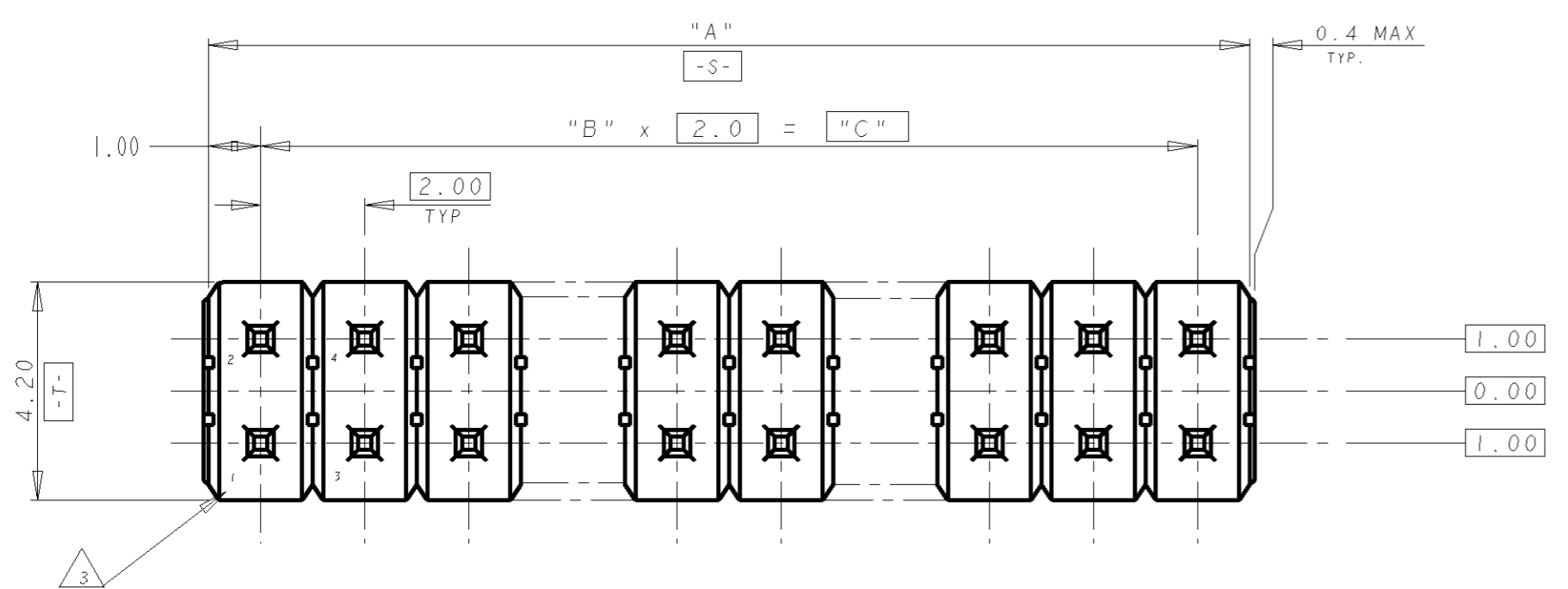


THIS DRAWING IS UNPUBLISHED. RELEASED FOR PUBLICATION
 © COPYRIGHT BY ALL RIGHTS RESERVED.

LOC		DIST		REVISIONS			
P	LTR	DESCRIPTION	DATE	DWN	APVD		
P		REVISED PER ECO-11-005139	19MAR11	RK	HMR		

- NOTES:
- 1 MATERIAL HOUSING: THERMOPLASTIC, UL 94V-0.
POST : BRASS
 - 2 FINISH CONTACT AREA, "D" MIN Au
ON NICKEL 0.0013 MIN ALL OVER
POST TINE: 0.002 MIN MATTE TIN
 - 3 POST POSITION NUMBERS FOR REFERENCE ONLY.



GENERAL TOLERANCE

0 <= 10	±0.2
10 <= 30	±0.25
30 <= 100	±0.3
ANGLES	±3°

NIL	4.00	0.0002	4	2	6	6	5-	-8
17	4.00	0.00076	24	12	26	26	5-	-7
9, 10	5.00	0.00076	24	12	26	26	5-	-6
1, 14		0.00076	14	7	16	16	5-	-5
1, 12		0.00076	10	5	12	12	5-	-4
NIL		0.00076	--	--	2	2	5-	-3
25		0.00076	48	24	50	50	5-	-2
25		0.0002	48	24	50	50	5-	-1
			48	24	50	50	4-	-8
			46	23	48	48	4-	-7
			44	22	46	46	4-	-6
			42	21	44	44	4-	-5
		0.00076	34	17	36	36	4-	-1
			48	24	50	50	3-	-9
			42	21	44	44	3-	-6
		0.0002	34	17	36	36	3-	-2
			28	14	30	30	2-	-9
			22	11	24	24	2-	-6
			20	10	22	22	2-	-5
			18	9	20	20	2-	-4
			16	8	18	18	2-	-3
			14	7	16	16	2-	-2
			12	6	14	14	2-	-1
			10	5	12	12	2-	-0
			8	4	10	10	1-	-9
			6	3	8	8	1-	-8
			4	2	6	6	1-	-7
		0.00076	2	1	4	4	1-	-6
			30	15	32	32	1-	-5
			28	14	30	30	1-	-4
			26	13	28	28	1-	-3
			22	11	24	24	1-	-1
			20	10	22	22	1-	-0
			18	9	20	20		-9
			16	8	18	18		-8
			14	7	16	16		-7
			12	6	14	14		-6
			10	5	12	12		-5
			8	4	10	10		-4
			6	3	8	8		-3
			4	2	6	6		-2
			2	1	4	4		-1
			30	15	32	32		-0
			28	14	30	30		-1
			26	13	28	28		-2
			22	11	24	24		-3
			20	10	22	22		-4
			18	9	20	20		-5
			16	8	18	18		-6
			14	7	16	16		-7
			12	6	14	14		-8
			10	5	12	12		-9
			8	4	10	10		-0
			6	3	8	8		-1
			4	2	6	6		-2
			2	1	4	4		-3
			30	15	32	32		-4
			28	14	30	30		-5
			26	13	28	28		-6
			22	11	24	24		-7
			20	10	22	22		-8
			18	9	20	20		-9
			16	8	18	18		-0
			14	7	16	16		-1
			12	6	14	14		-2
			10	5	12	12		-3
			8	4	10	10		-4
			6	3	8	8		-5
			4	2	6	6		-6
			2	1	4	4		-7
			30	15	32	32		-8
			28	14	30	30		-9
			26	13	28	28		-0
			22	11	24	24		-1
			20	10	22	22		-2
			18	9	20	20		-3
			16	8	18	18		-4
			14	7	16	16		-5
			12	6	14	14		-6
			10	5	12	12		-7
			8	4	10	10		-8
			6	3	8	8		-9
			4	2	6	6		-0
			2	1	4	4		-1
			30	15	32	32		-2
			28	14	30	30		-3
			26	13	28	28		-4
			22	11	24	24		-5
			20	10	22	22		-6
			18	9	20	20		-7
			16	8	18	18		-8
			14	7	16	16		-9
			12	6	14	14		-0
			10	5	12	12		-1
			8	4	10	10		-2
			6	3	8	8		-3
			4	2	6	6		-4
			2	1	4	4		-5
			30	15	32	32		-6
			28	14	30	30		-7
			26	13	28	28		-8
			22	11	24	24		-9
			20	10	22	22		-0
			18	9	20	20		-1
			16	8	18	18		-2
			14	7	16	16		-3
			12	6	14	14		-4
			10	5	12	12		-5
			8	4	10	10		-6
			6	3	8	8		-7
			4	2	6	6		-8
			2	1	4	4		-9
			30	15	32	32		-0
			28	14	30	30		-1
			26	13	28	28		-2
			22	11	24	24		-3
			20	10	22	22		-4
			18	9	20	20		-5
			16	8	18	18		-6
			14	7	16	16		-7
			12	6	14	14		-8
			10	5	12	12		-9
			8	4	10	10		-0
			6	3	8	8		-1
			4	2	6	6		-2
			2	1	4	4		-3
			30	15	32	32		-4
			28	14	30	30		-5
			26	13	28	28		-6
			22	11	24	24		-7
			20	10	22	22		-8
			18	9	20	20		-9
			16	8	18	18		-0
			14	7	16	16		-1
			12	6	14	14		-2
			10	5	12	12		-3
			8	4	10	10		-4
			6	3	8	8		-5
			4	2	6	6		-6
			2	1	4	4		-7
			30	15	32	32		-8
			28	14	30	30		-9
			26	13	28	28		-0
			22	11	24	24		-1
			20	10	22	22		-2
			18	9	20	20		-3
			16	8	18	18		-4
			14	7	16	16		-5
			12	6	14	14		-6
			10	5	12	12		-7
			8	4	10	10		-8
			6	3	8	8		-9
			4	2	6	6		-0
			2	1	4	4		-1
			30	15	32	32		-2
			28	14	30	30		-3
			26	13	28	28		-4
			22	11	24	24		-5
			20	10	22	22		-6
			18	9	20	20		-7
			16	8	18	18		-8
			14	7	16	16		-9
			12	6	14	14		-0
			10	5	12	12		-1
			8	4	10	10		-2
			6	3	8	8		-3
			4	2	6	6		-4
			2	1	4	4		-5
			30	15	32	32		-6
			28	14	30	30		-7
			26	13	28	28		-8
			22	11	24	24		-9
			20	10	22	22		-0
			18	9	20	20		-1
			16	8	18	18		-2
			14	7	16	16		-3
			12	6	14	14		-4
			10	5	12	12		-5
			8	4	10	10		-6
			6	3	8	8		-7
			4	2	6	6		-8
			2	1	4	4		-9
			30	15	32	32		-0
			28	14	30	30		-1
			26	13	28	28		-2
			22	11	24	24		-3
			20	10	22	22		-4
			18	9	20	20		-5
			16	8	18	18		-6
			14	7	16	16		-7
			12	6	14	14		-8
			10	5	12	12		-9
			8	4	10	10		-0
			6	3	8	8		-1
			4	2	6	6		-2
			2	1	4	4		-3
			30	15	32	32		-4
			28	14	30	30		-5
			26	13	28	28		-6
			22	11	24	24		-7
			20	10	22	22		-8
			18	9	20	20		-9
			16	8	18	18		-0
			14	7				

Mouser Electronics

Authorized Distributor

Click to View Pricing, Inventory, Delivery & Lifecycle Information:

[TE Connectivity:](#)

[5-5176264-8](#)