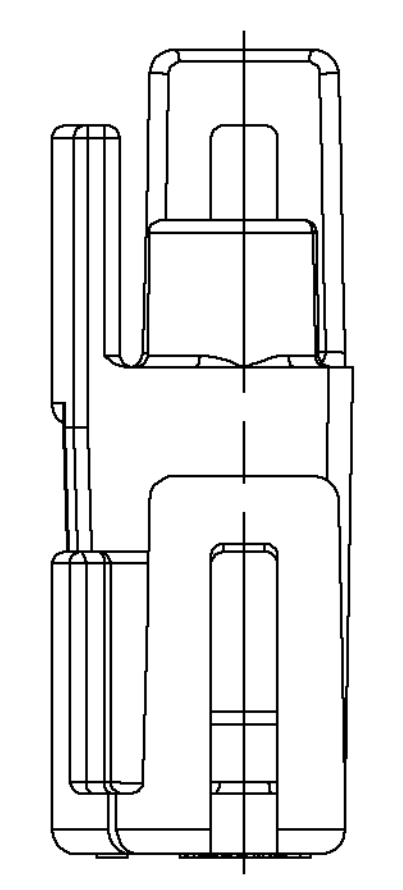
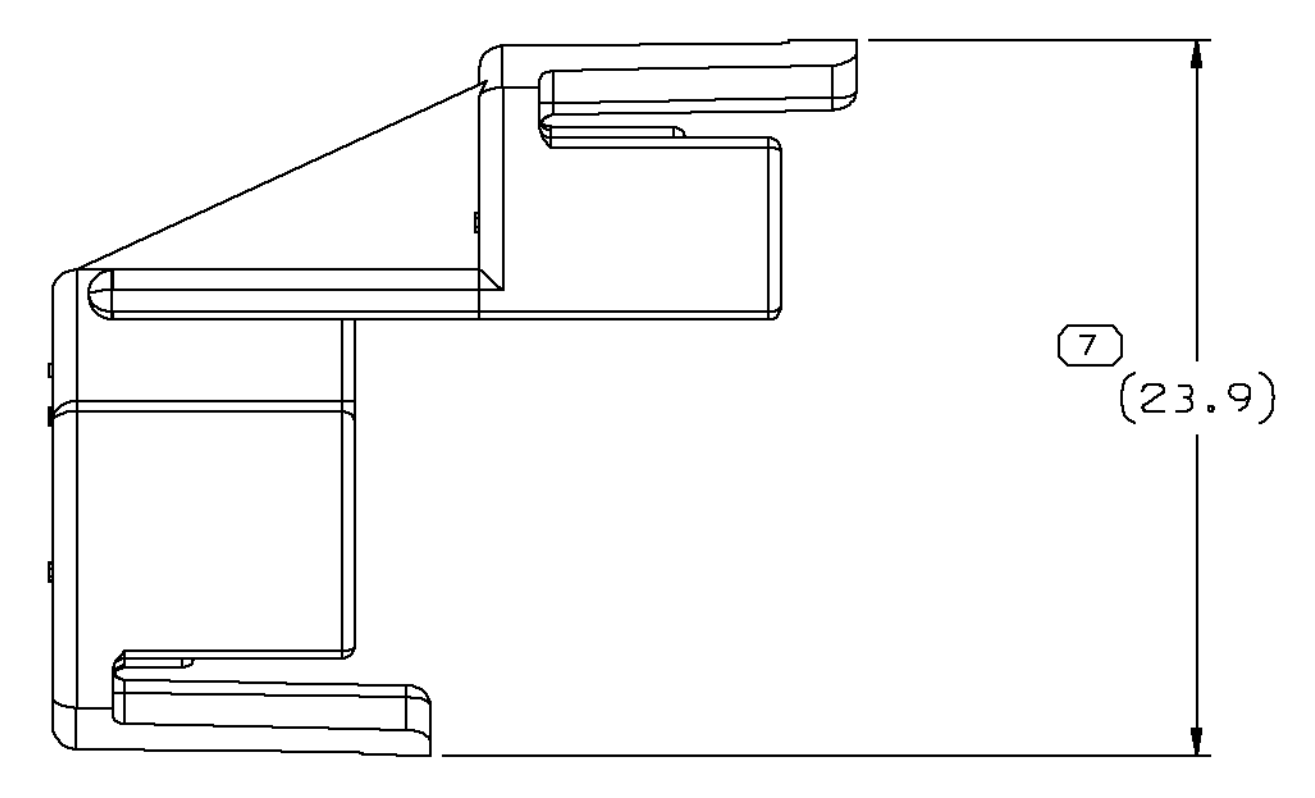
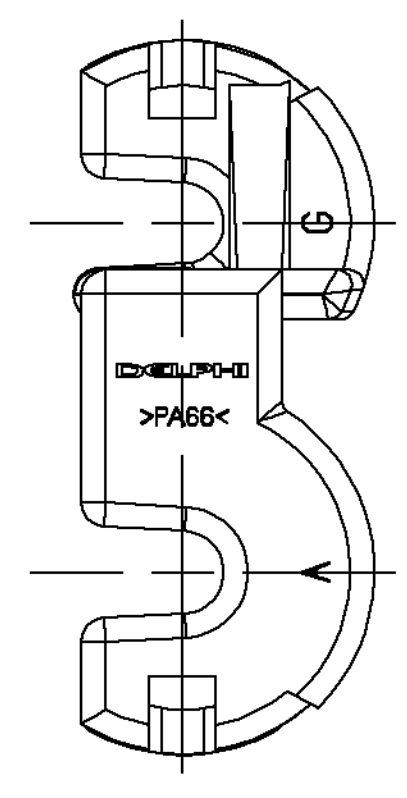
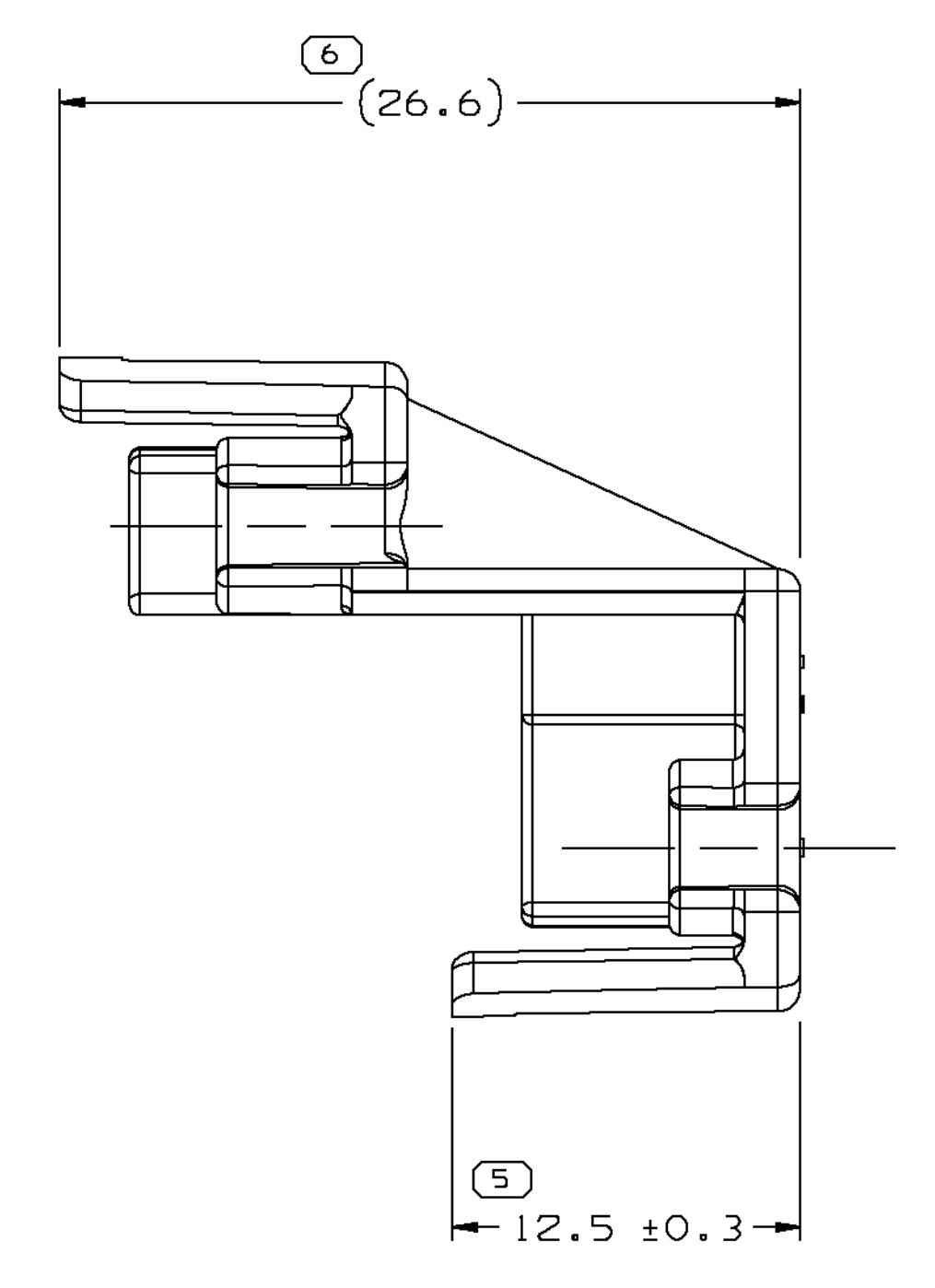
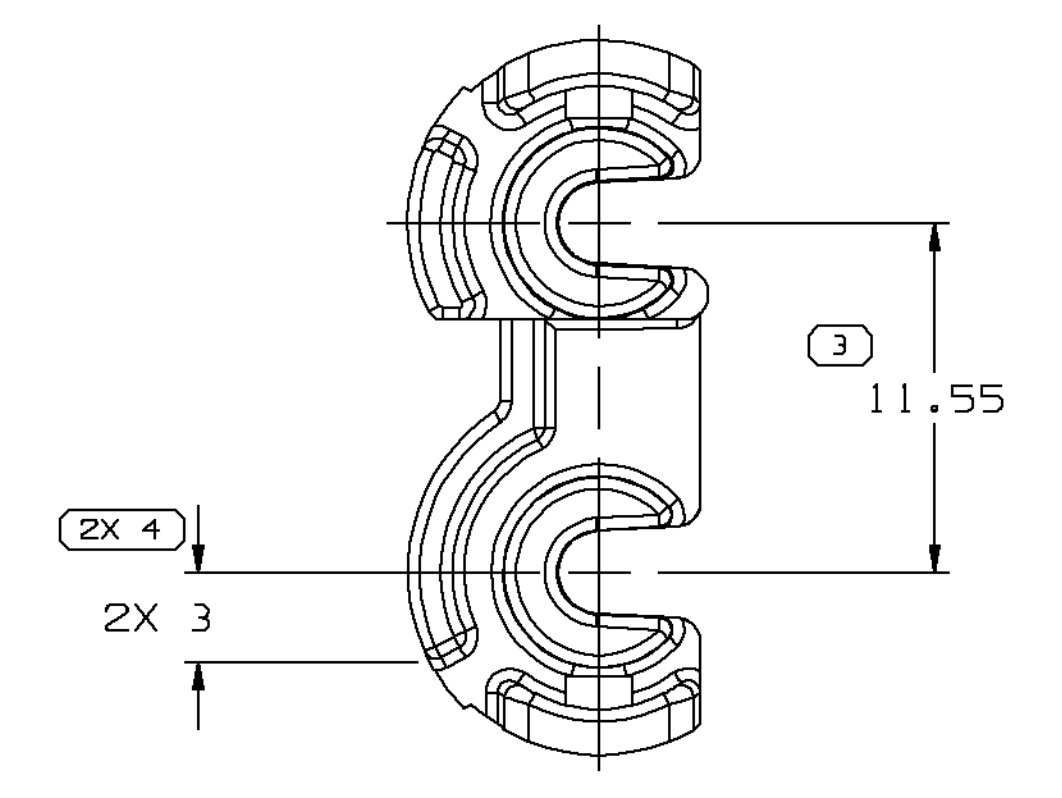
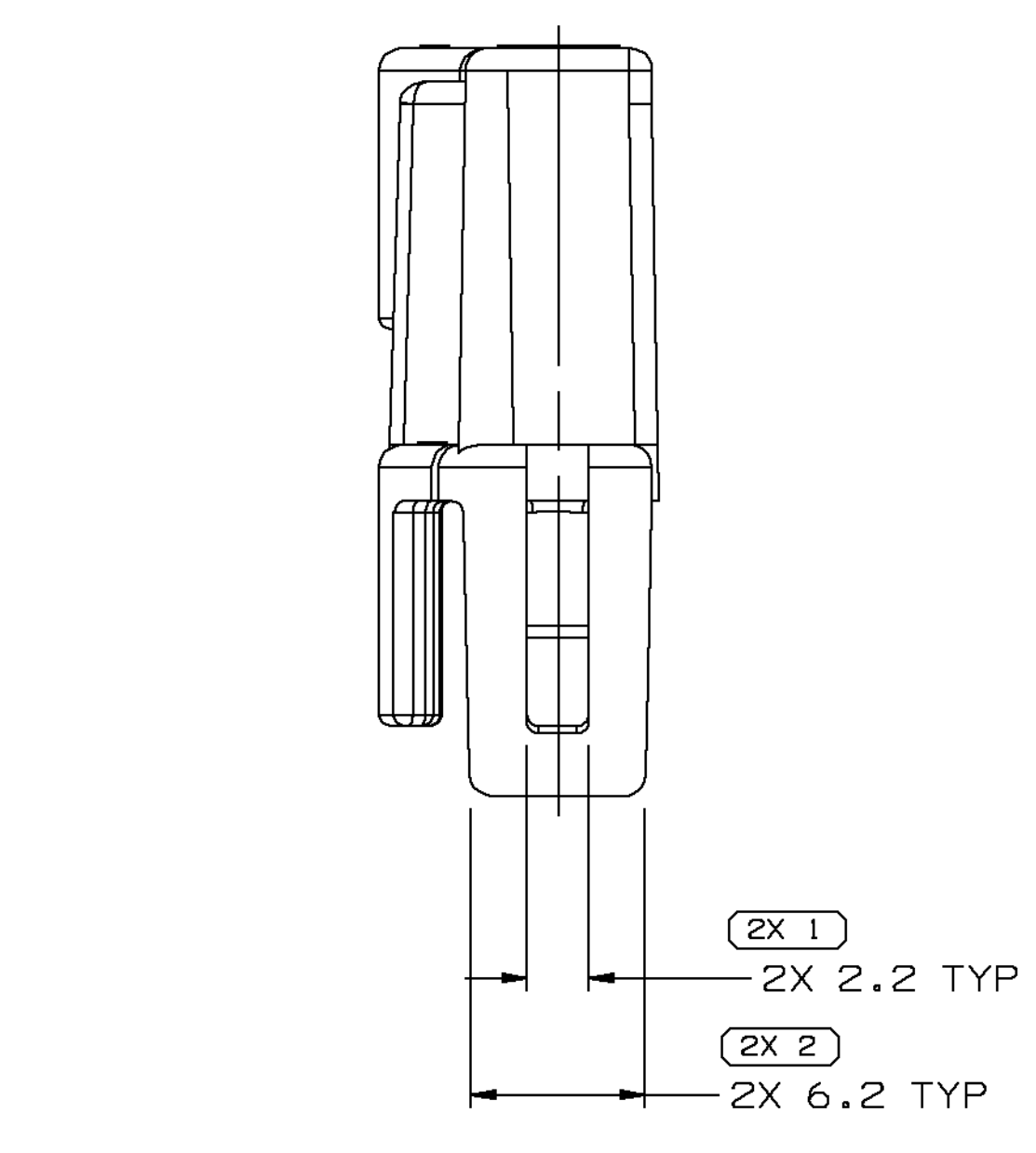


SYMBOL DEFINITION	
A DIMENSION WITHOUT AN INSPECTION REPORT SYMBOL DOES NOT REQUIRE INSPECTION. IT MAY BE CONTROLLED ON THE INDIVIDUAL COMPONENT DRAWING.	TOTAL NO OF INSPECTIONS REQUIRED
	10
	LAST NO. USED
	7

DWG STATUS				REVISION HISTORY				AUTH	
DATE	STG	REV	N/P	CHG	ZONE	DATE	BY	DATE	BY
23MY03	R	03	-	-		CREATED PD		241537	ESF



- NOTES
- UNLESS OTHERWISE SPECIFIED AND/OR INDICATED: DIMENSIONS ARE TO FACE OF VIEW SHOWN AND AUTOMATICALLY ROUNDED BY COMPUTER FOR INSPECTION (SEE MATH MODEL FOR PRECISE DIMENSIONS). FOR ALL OTHER DIMENSIONS NOT SHOWN BUT REQUIRED FOR TOOL BUILD, SEE MATH MODEL FOR PRECISE TOOL PATH DATA.
  - MATERIAL RECYCLING CODE >PA66< PER SAE J1344. (2.31X10.1) RAISED CHARACTERS AS SHOWN TO BE LOCATED ON ANY EXTERIOR SURFACE. OPTIONAL CONSTRUCTION TO BE NO MATERIAL RECYCLING CODE.
  - THIS PART IS NOT CONTROLLED FOR AUTOMATIC FEEDING.
  - MATING COMPONENTS OR EQUIVALENT:  
CONNECTOR 12129055  
CABLE DIA. RANGE FOR CAVITY "A" IS 1.85-2.65  
CABLE DIA. RANGE FOR CAVITY "G" IS 1.85-2.65
  - (2.31X10.1) RAISED DELPHI CORPORATE BRAND TO BE LOCATED ON ANY EXTERIOR SURFACE, PREFERABLY VISIBLE AT FINAL ASSEMBLY. OPTIONAL CONSTRUCTION TO BE "PED" OR NO LOGO.
  - LOCKING FEATURES ARE IDENTICAL, EXCEPT AS SHOWN.

DIMENSIONS ENCLOSED IN ( ) INDICATE REFERENCE DIMENSIONS AND NO TOLERANCE LIMITS ARE ESTABLISHED		DIMENSIONAL RANGE (MM)		TOLERANCE UNLESS OTHERWISE SPECIFIED		ANGULAR TOLERANCE (°)	
FROM	TO	> 30	> 70	> 100	> 150	> 200	> 300
0	20	±0.2	±0.3	±0.4	±0.5	±0.6	±0.8

DWG TYPE		PART DRAWING	
STYLE		DISTR CODE	D
VOLUME (GM)	1.097		
ROUTING	6900		

DELPHI		DELPHI PACKARD ELECTRIC SYSTEMS		WARREN, OH	
DR		DATE			
APVD1	E. SALAZAR	23MY03			
APVD2	E. RODRIGUEZ	23MY03			
APVD3	R. CORZAS	23MY03			
APVD4					
APVD5					
SUBSTANCES OF CONCERN AND RECYCLED CONTENT PER DELPHI 10949001					
M3592008 HS 1W BLU					
DRAWING NAME					
LOCK TPA LP SOC 2 BLU					
DRAWING NUMBER					
12129057					
SIZE	A0	SCALE	4:1	FRAME NO	1 OF 1
SHEET NO	1 OF 1	STG	R	REV	03

# Mouser Electronics

Authorized Distributor

Click to View Pricing, Inventory, Delivery & Lifecycle Information:

[Aptiv:](#)

[12129057](#)