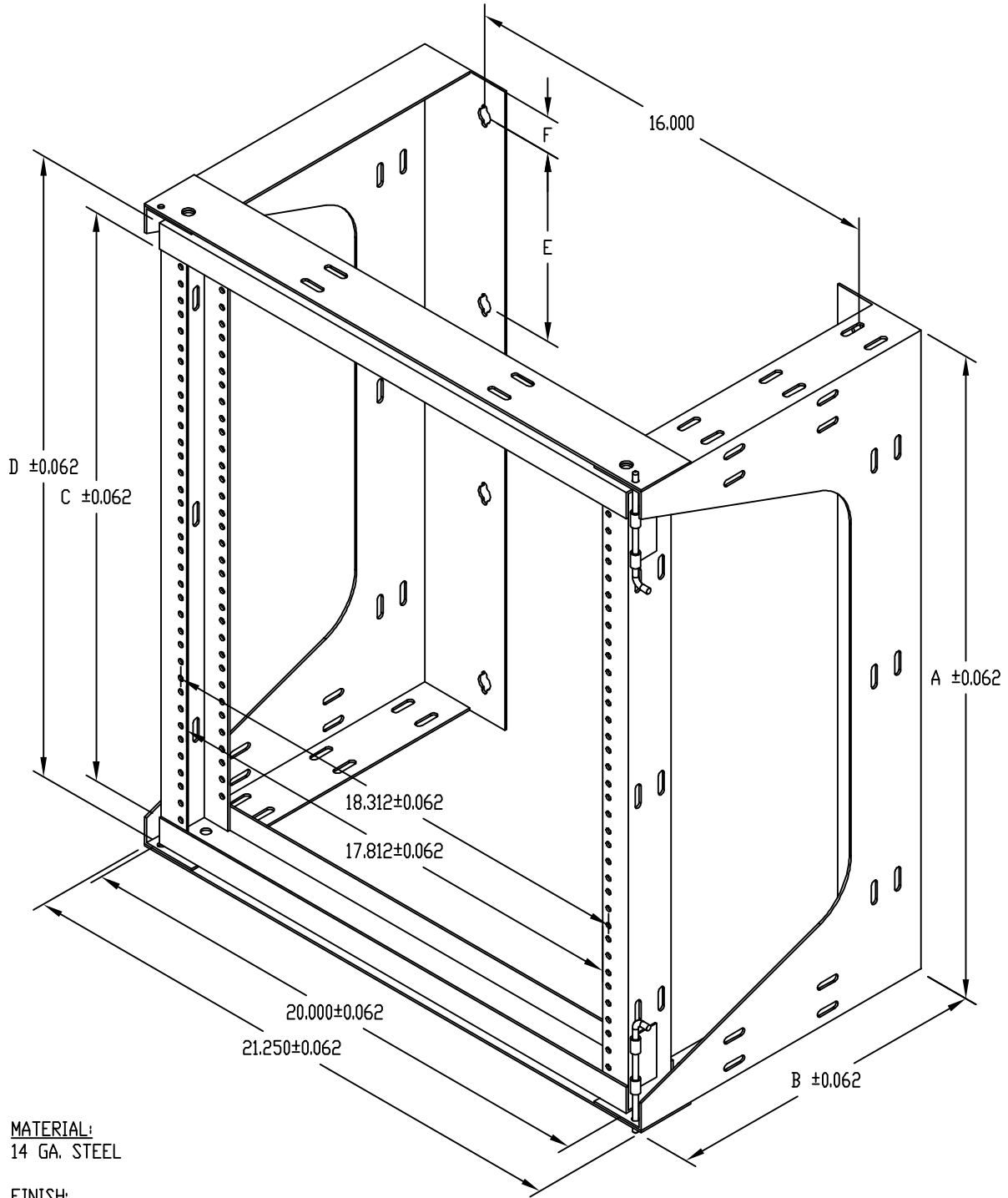


PART
NAME

SWING FRAME RACK

PART
No.

SF-2283, SF-2284, SF-2293 & SF-2294



MATERIAL:
14 GA. STEEL

FINISH:
SMOOTH BLACK

NOTE:
SWING ARM RAILS ARE TAPPED #12-24
ON UNIVERSAL E.I.A. SPACING.
UNIT INCLUDES (6) 8' LONG VELCRO
STRAPS IN HARDWARE KIT.

LOAD RATING: 75 LBS. MAX.

PART NUMBER	A	B	C	D	E	F
SF-2283	23.814	12.000	21.062	23.004	7.000	1.407
SF-2284	23.814	18.000	21.062	23.004	7.000	1.407
SF-2293	37.814	12.000	35.062	37.004	11.000	2.407
SF-2294	37.814	18.000	35.062	37.004	11.000	2.407

Mouser Electronics

Authorized Distributor

Click to View Pricing, Inventory, Delivery & Lifecycle Information:

Bud Industries:

[SF-2294](#) [SF-2284](#) [SF-2283](#) [SF-2293](#)