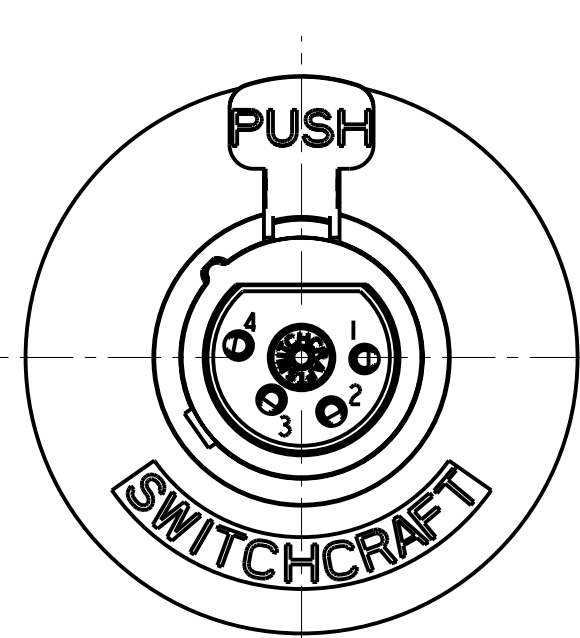
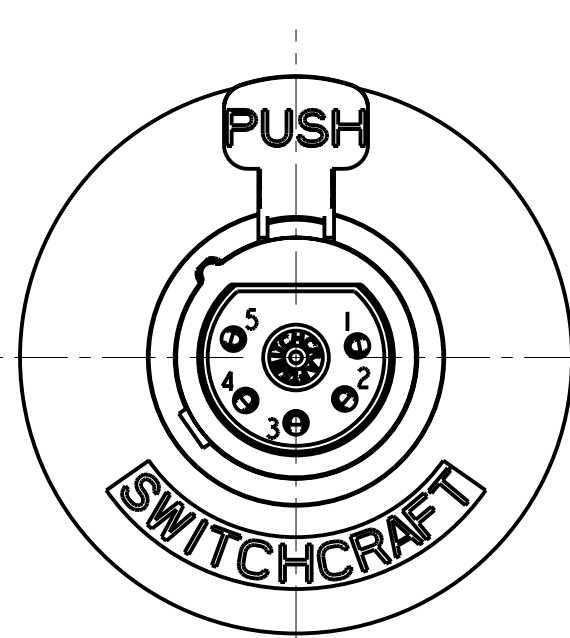


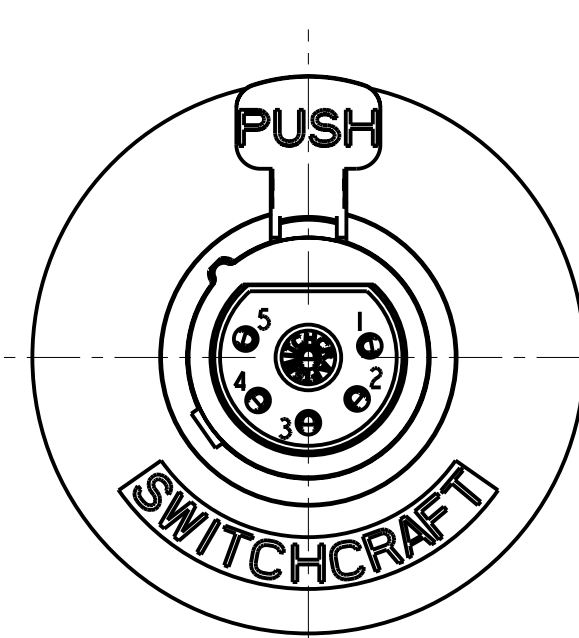
3 PIN



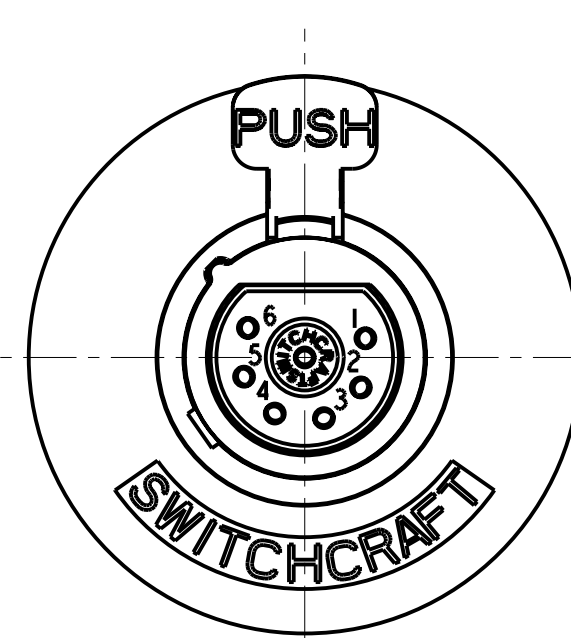
4 PIN



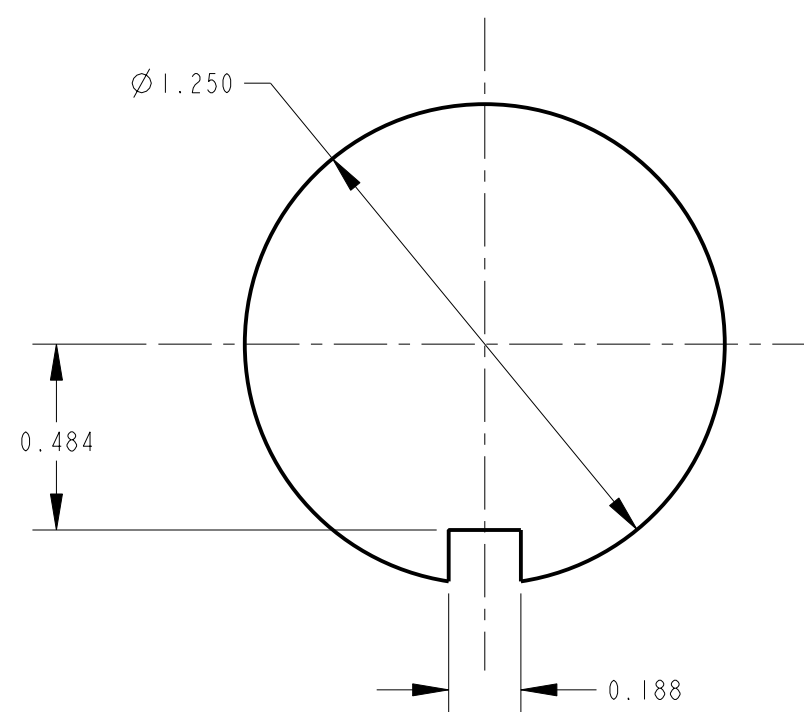
5 PIN



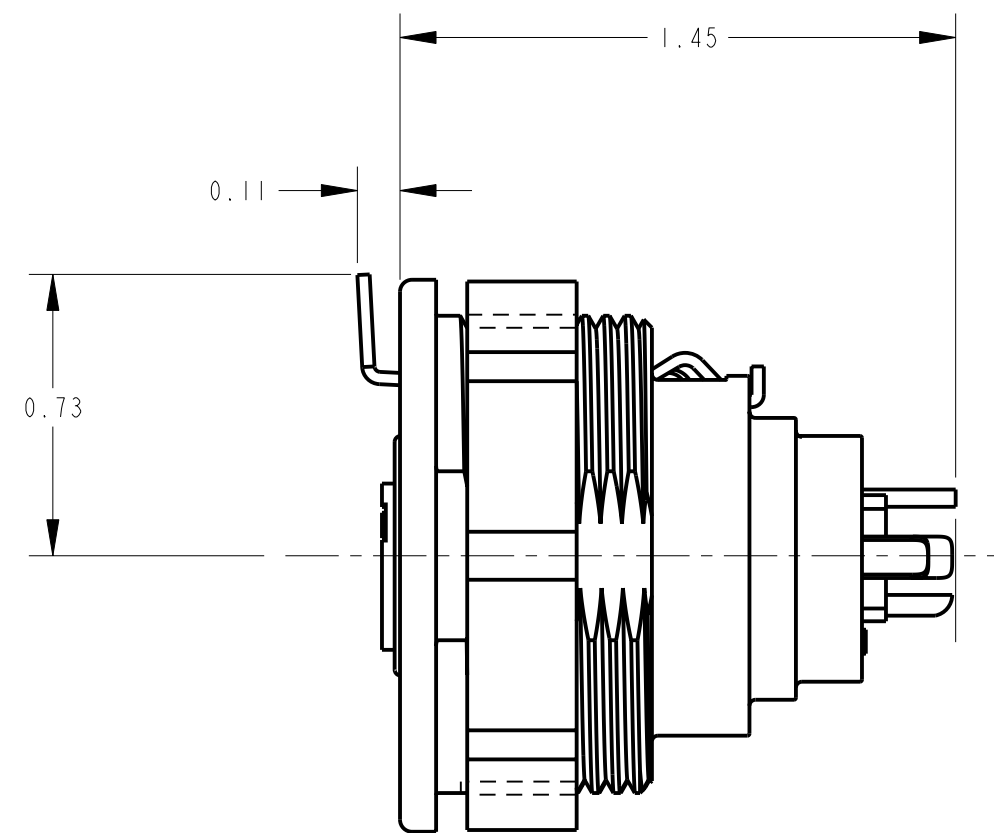
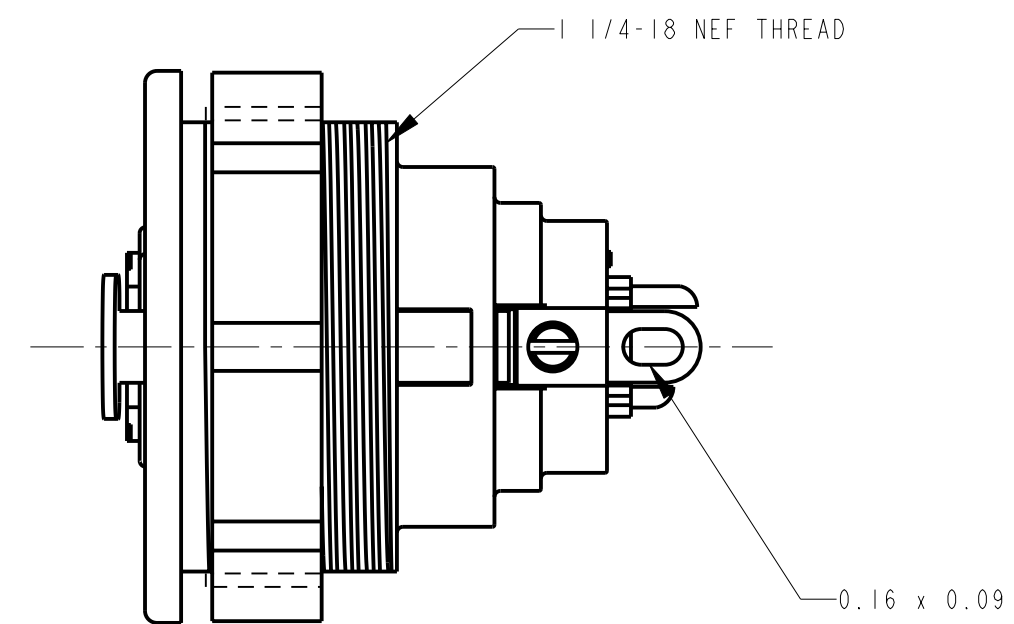
6 PIN



7 PIN



RECOMMENDED PANEL CUT-OUT

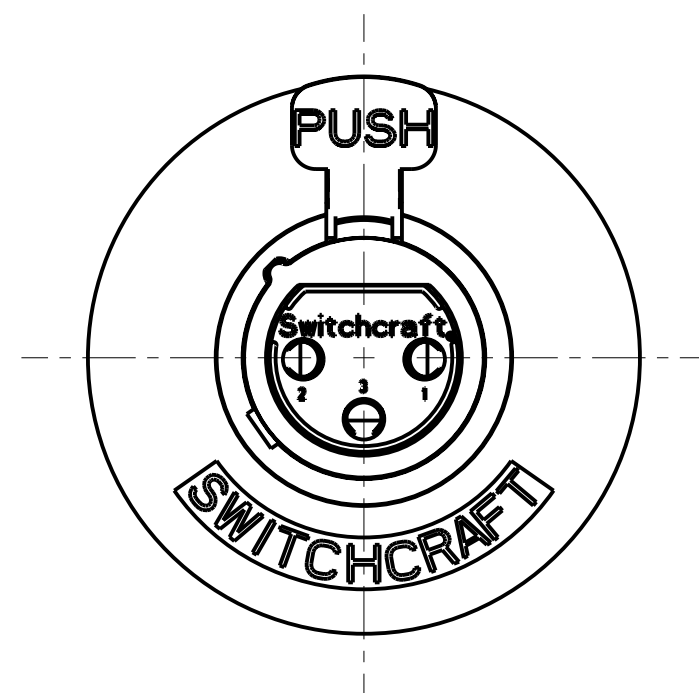


**STANDARD SERIES**

SCREW - STAINLESS STEEL  
 SHELL - STAINLESS STEEL  
 LATCH BUTTON - ZINC, NICKEL PLATED  
 INSULATOR - POLYESTER, GREEN  
 SOLDER TERMINAL - BRASS, ELECTRO TIN  
 LATCH SPRING - STAINLESS STEEL  
 CONTACT PIN - PHOSPHOR BRONZE, SILVER PLATED  
 HOUSING - ZINC  
 NUT - ZINC, NICKEL PLATED  
 RELEASE LEVER - STEEL NICKEL PLATED

HOUSING FINISH: SEE NOTE 2  
 BLANK = NICKEL PLATE (STANDARD)  
 BX = BLACK, RoHS

NO. OF CONTACTS:  
 3 = 3 CONTACTS  
 4 = 4 CONTACTS  
 5 = 5 CONTACTS  
 6 = 6 CONTACTS  
 7 = 7 CONTACTS



- NOTES:**
1. ALL DIMENSIONS REF. UNLESS OTHERWISE SPECIFIED.
  2. BLACK HOUSING AND INSERT WITH SATIN NICKEL PLATED LATCH.
  3. THIS PRODUCT IS RoHS COMPLIANT.

REV	ECO NUMBER	DATE	BY	APVD
L	26158	10-4-06	TO	TJK
K	ECO #22895	9-17-99	DA	RB
J	20627	2-1-96	SG	SG
REVISIONS				

★ STAR SYMBOL DENOTES CRITICAL DIMENSION

~~UNLESS OTHERWISE SPECIFIED~~

1. ALL DIMENSIONS IN INCHES  
 - TWO PLACE DECIMALS ±0.01  
 - THREE PLACE DECIMALS ±0.005  
 - FRACTIONAL DIMENSIONS ±1/64  
 - ANGLES ±1°  
 - ALL DIA. CONCENTRIC WITHIN 0.005 T.I.R.

2. FEATURES ON THE SAME CENTERLINE MUST BE ALIGNED WITHIN ±0.002

3. REMOVE ALL BURRS

DO NOT SCALE DRAWING

THIS DRAWING DESCRIBES A DESIGN CONSIDERED PROPRIETARY IN NATURE, DEVELOPED AND MANUFACTURED BY SWITCHCRAFT INC. AND IS RELEASED ON A CONFIDENTIAL BASIS FOR IDENTIFICATION PURPOSES ONLY.

SIZE	WIDTH	MULT	LBS/M	TEMPER
FINISH		MATERIAL SPEC No.		
SPEC No.		SCALE 2:1		
DATE DRAWN	BY	CHKD	APVD	<b>Switchcraft</b>
11-Dec-93	SG	AA	GHJ	
NAME				REV
B SERIES FEMALE OG, RoHS				L

SHEET 1 OF 1

PART No. B\_F SERIES

CUSTOMER DRAWING

# Mouser Electronics

Authorized Distributor

Click to View Pricing, Inventory, Delivery & Lifecycle Information:

[Switchcraft:](#)

[B3FB](#)