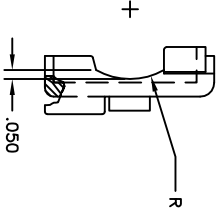
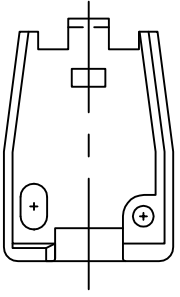
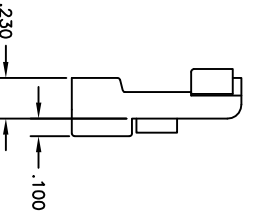
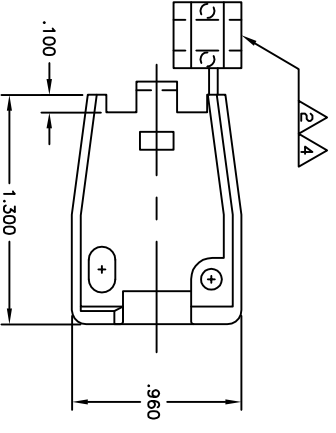
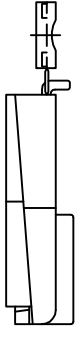


4

3

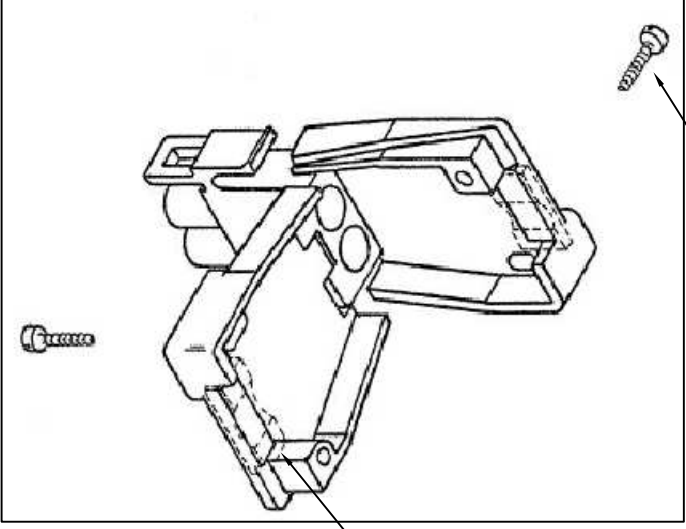
2

1



- △ SHEET METAL SCREWS NOT SUPPLIED
- △ INSERT IS ATTACHED TO STRAIN RELIEF, AS AN ADDITIONAL ADJUSTMENT FOR SMALL WIRE BUNDLES, IT SHOULD BE CUT-OFF AND POSITIONED AS SHOWN BY DOTTED LINES.
- △ TWO REQUIRED PER CONNECTOR
- △ STYLE 2 DOES NOT INCLUDE INSERT.
- △ DETACHABLE INSERT MAY SEPARATE FROM STRAIN RELIEF BODY DURING SHIPPING.

(2 REQ'D) #6 X .375 LONG, TYPE '8' PAN HEAD SHEET METAL SCREW



STYLE 1

STYLE 2

REV	DATE	DESCRIPTION	BY	CHK	APP
E1		REMOVED PER ESR-13-017009			

THIS DRAWING IS A CONTROLLED DOCUMENT.		DATE: 10/20/2013	
DRAWING NUMBER: 640713		REV: 1	
DESIGNER: TOM MICHELLETTI		DATE: 10/20/2013	
PRODUCT SPEC: 2 CIRCUIT, UNIVERSAL MATE-N-LOK		DATE: 10/20/2013	
APPLICATION SPEC: 2 CIRCUIT, UNIVERSAL MATE-N-LOK		DATE: 10/20/2013	
MATERIAL: NYLON, 94V-0		DATE: 10/20/2013	
FINISH: 3 R.F.C.		DATE: 10/20/2013	
WEIGHT: 0.118		DATE: 10/20/2013	
CUSTOMER DRAWING: A200779		DATE: 10/20/2013	
SCALE: 2:1		DATE: 10/20/2013	