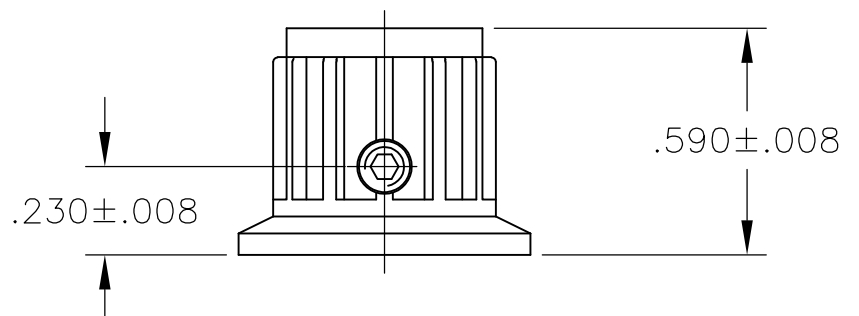
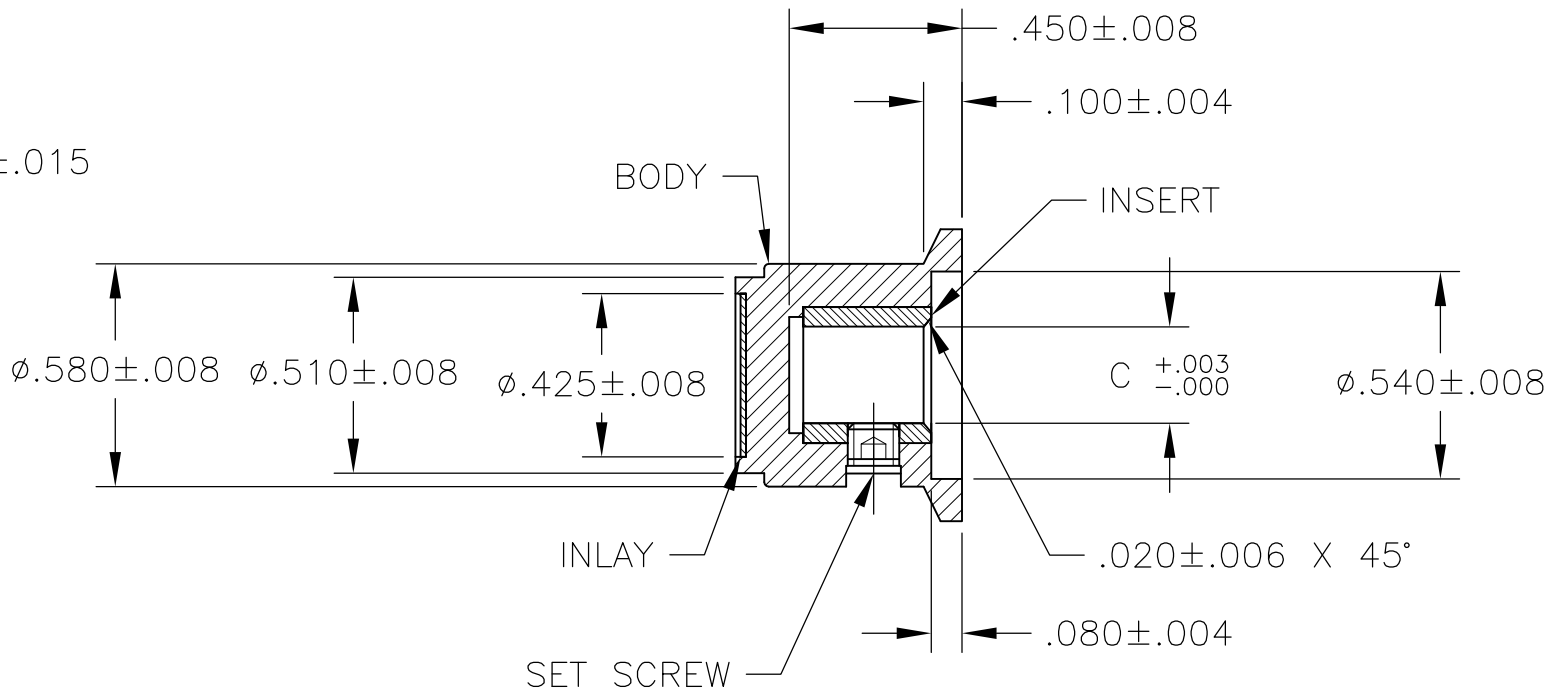
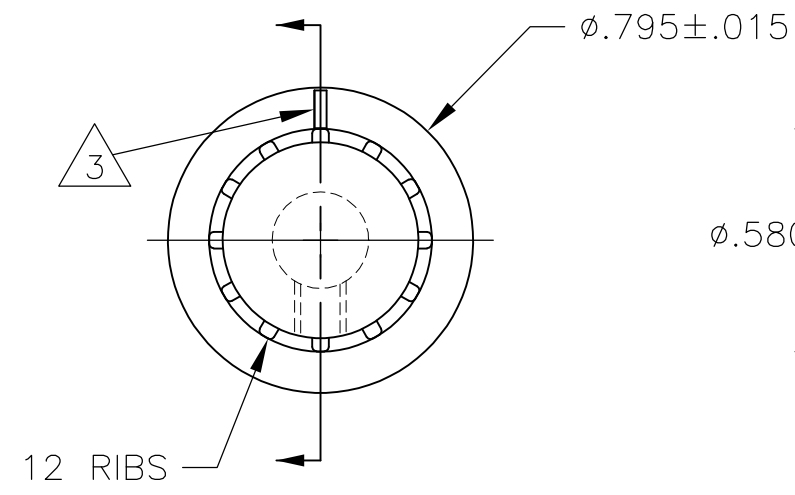


THIS DRAWING IS UNPUBLISHED.      RELEASED FOR PUBLICATION  
 © COPYRIGHT - By -      ALL RIGHTS RESERVED.

LOC	DIST	REVISIONS					
AD	0	P	LTR	DESCRIPTION	DATE	DWN	APVD
		D1		REVISED PER ECO-11-004917	11MAR11	RK	HMR



- MATERIAL AND FINISH:  
 SKIRT AND INLAY: ALUMINUM .016 THK., CLEAR ACRYLIC COATED  
 BODY: PHENOLIC, BLACK, HIGH GLOSS FINISH (SPE/SP1#A2)  
 SET SCREW: 303 STAINLESS STEEL, BLACK ANODIZED  
 INSERT: BRASS

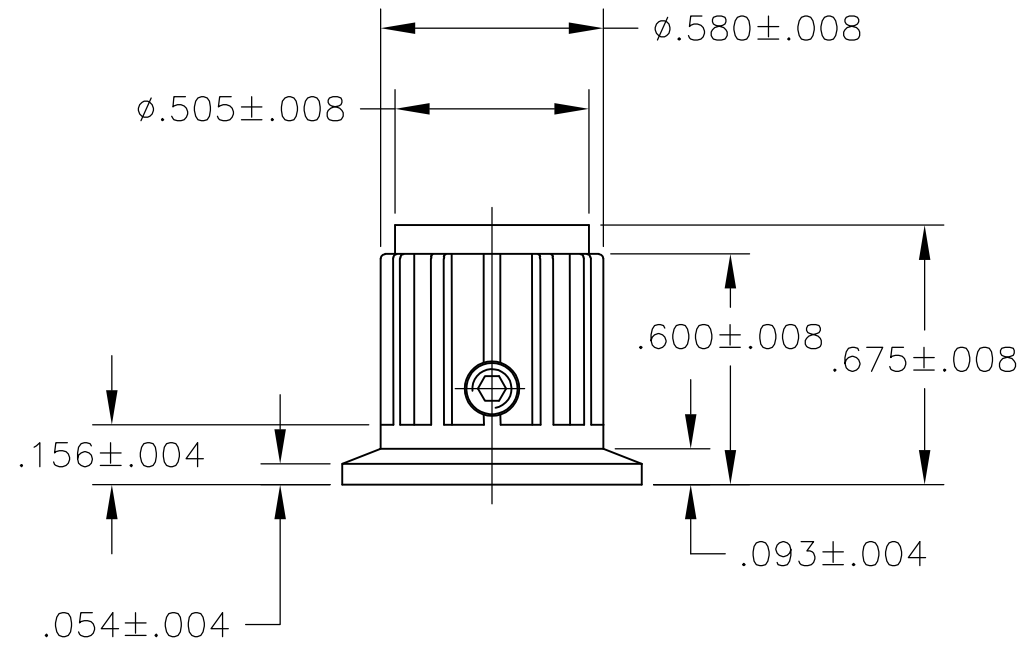
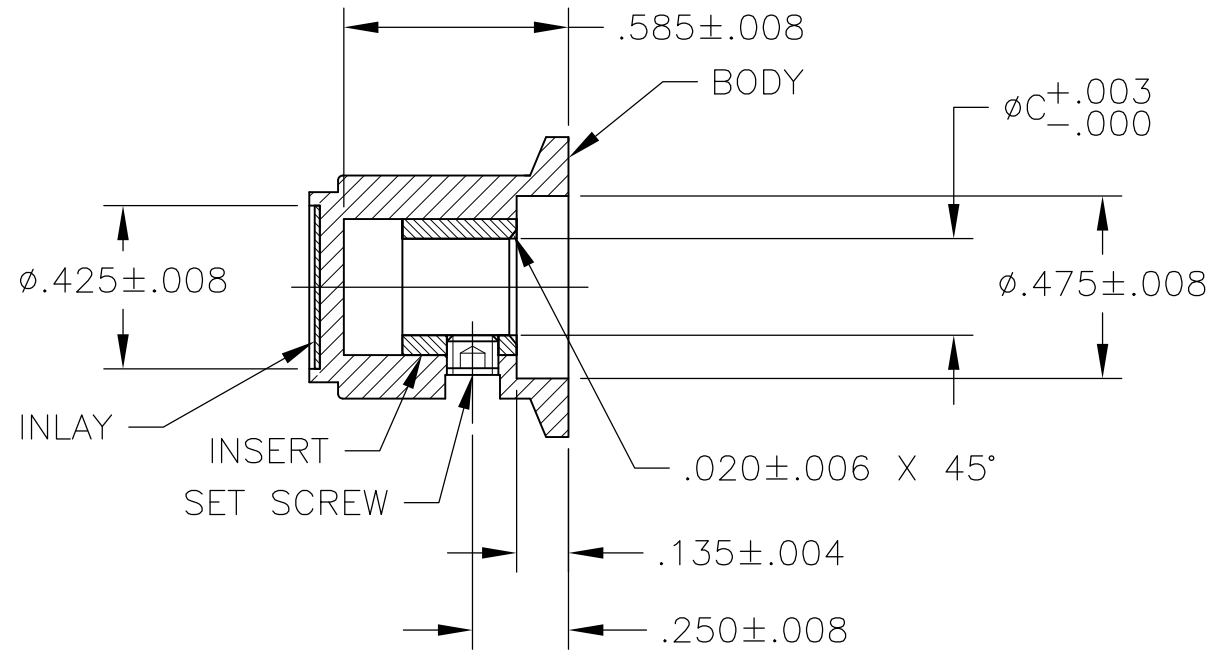
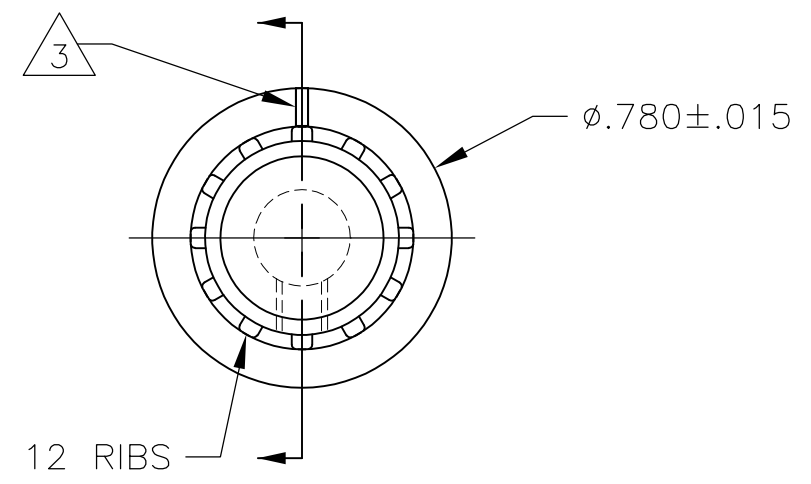
- SET SCREW ARE UNC-2A, CUP POINT, HEX SOCKET TYPE.
- INDICATOR, PAINTED FULL, COLOR: WHITE; .02 ± 0.01 DEEP
- RETENTION FORCE OF INSERT IN KNOB BODY: 2 LBS MIN.

#6-32 X .188	.126	PKA50B1/8	1-1437624-1
#6-32 X .125	.251	PKA50B1/4	1-1437624-0
SET SCREW	C	MODEL NUMBER	PART NUMBER
	SHAFT HOLE		

THIS DRAWING IS A CONTROLLED DOCUMENT.		DWN	M.BINNER	25MAR03	<b>STE</b> TE Connectivity		
DIMENSIONS: INCHES		CHK	-	-			
TOLERANCES UNLESS OTHERWISE SPECIFIED:		APVD	-	-	NAME		
0 PLC ± -		PRODUCT SPEC	-	-	-		
1 PLC ± -		APPLICATION SPEC	-	-	-		
2 PLC ± -		SIZE	A3	00779	CAGE CODE	C-1-1437624-0	DRAWING NO
3 PLC ± -		WEIGHT	-	-	RESTRICTED TO	-	-
4 PLC ± -		CUSTOMER DRAWING		SCALE	2:1	SHEET	1 OF 4
ANGLES ± -				REV	D1		
FINISH -							

THIS DRAWING IS UNPUBLISHED. RELEASED FOR PUBLICATION  
 © COPYRIGHT - By - ALL RIGHTS RESERVED.

LOC	DIST	REVISIONS					
AD	0	P	LTR	DESCRIPTION	DATE	DWN	APVD
		-		SEE SHEET 1	-	-	-



#6-32 X .188	.126	PKA55B1/8	1-1437624-4
#6-32 X .125	.251	PKA55B1/4	1-1437624-3
SET SCREW	C	MODEL NUMBER	PART NUMBER
2	SHAFT HOLE		

THIS DRAWING IS A CONTROLLED DOCUMENT.		DWN M.BINNER	25MAR03	<b>TE Connectivity</b>			
DIMENSIONS: INCHES		CHK	-				
		TOLERANCES UNLESS OTHERWISE SPECIFIED:		PKA KNOB SERIES STANDARD			
		0 PLC	± -	APVD	-	PRODUCT SPEC	
MATERIAL		1 PLC	± -	APPLICATION SPEC		RESTRICTED TO	
		2 PLC	± -	WEIGHT		-	
FINISH		3 PLC	± -	SIZE	A3	CAGE CODE	00779
		4 PLC	± -	DRAWING NO	C-1-1437624-0		REV
-		ANGLES	± -	CUSTOMER DRAWING		SCALE	1:1
-				SHEET		2 OF 4	

THIS DRAWING IS UNPUBLISHED.

RELEASED FOR PUBLICATION

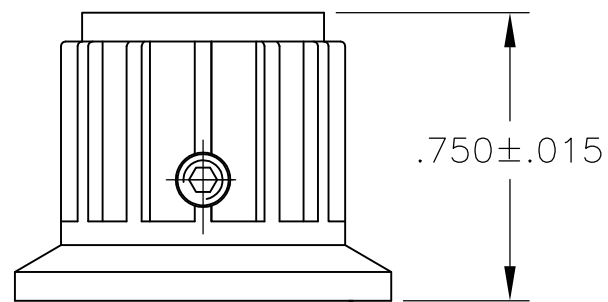
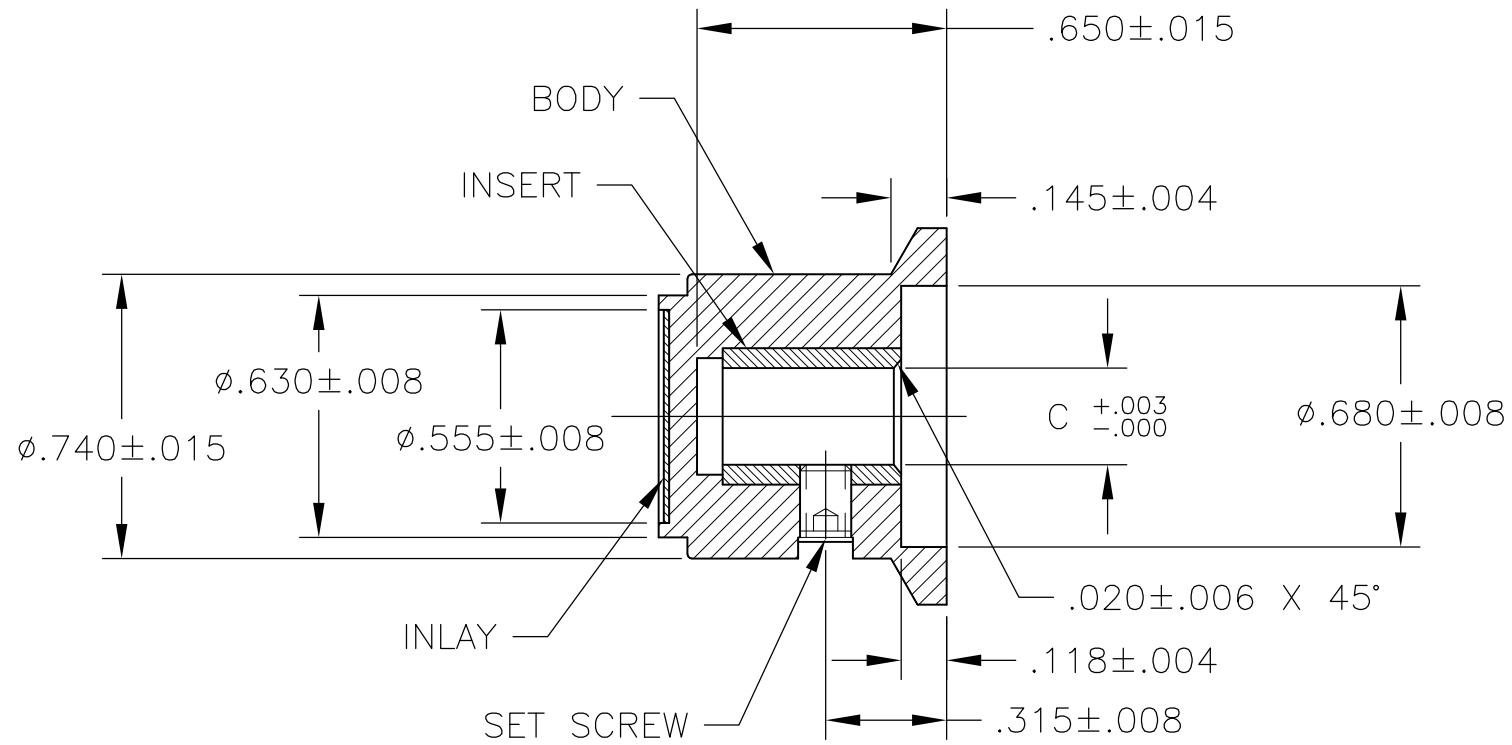
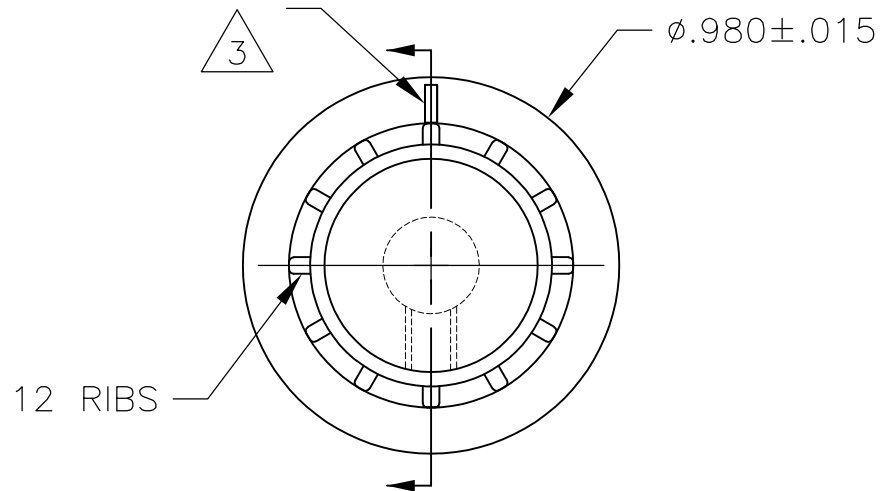
ALL RIGHTS RESERVED.

© COPYRIGHT - By -

LOC AD DIST 0

REVISIONS

P	LTR	DESCRIPTION	DATE	DWN	APVD
-	-	SEE SHEET 1	-	-	-



#6-32 X .188	.251	PKA70B1/4	1-1437624-5
SET SCREW	C SHAFT HOLE	MODEL NUMBER	PART NUMBER

THIS DRAWING IS A CONTROLLED DOCUMENT.		DWN M.BINNER	25MAR03	<b>STE</b> TE Connectivity													
DIMENSIONS: INCHES		CHK -	APVD -			NAME											
TOLERANCES UNLESS OTHERWISE SPECIFIED:		PRODUCT SPEC		PKA KNOB SERIES STANDARD													
<table border="0"> <tr><td>0 PLC</td><td>± -</td></tr> <tr><td>1 PLC</td><td>± -</td></tr> <tr><td>2 PLC</td><td>± -</td></tr> <tr><td>3 PLC</td><td>± -</td></tr> <tr><td>4 PLC</td><td>± -</td></tr> <tr><td>ANGLES</td><td>± -</td></tr> </table>		0 PLC	± -	1 PLC	± -	2 PLC	± -	3 PLC	± -	4 PLC	± -	ANGLES	± -	APPLICATION SPEC		RESTRICTED TO	
0 PLC	± -																
1 PLC	± -																
2 PLC	± -																
3 PLC	± -																
4 PLC	± -																
ANGLES	± -																
MATERIAL		WEIGHT		SIZE	CAGE CODE												
FINISH		CUSTOMER DRAWING		A3	00779												
		SCALE 1:1		DRAWING NO	REV												
		SHEET 3 OF 4		C-1-1437624-0	D1												

THIS DRAWING IS UNPUBLISHED.

RELEASED FOR PUBLICATION

---

LOC

DIST

REVISIONS

© COPYRIGHT - By -

ALL RIGHTS RESERVED.

AD

0

P

LTR

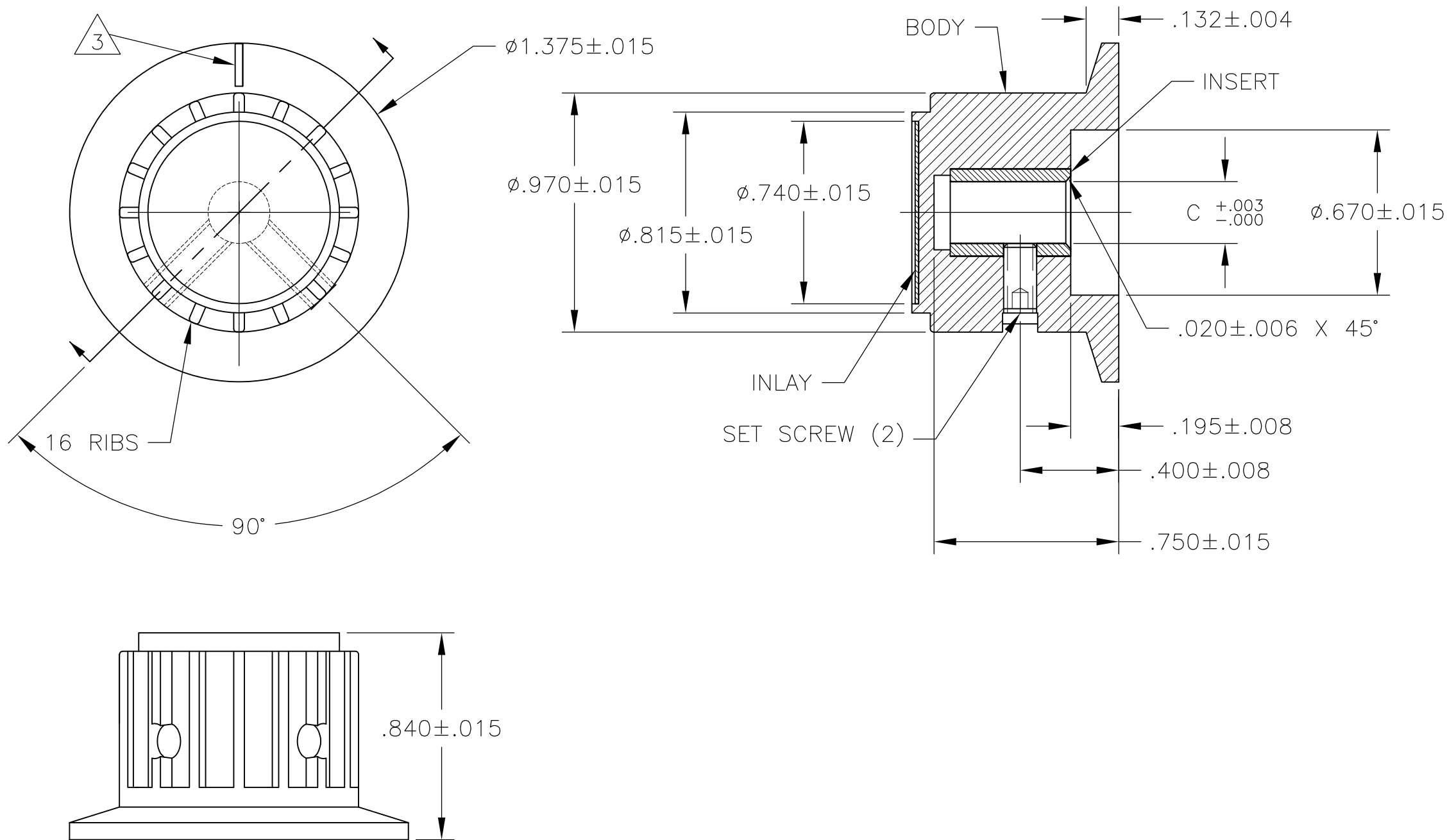
DESCRIPTION

DATE

DWN

APVD

SEE SHEET 1



#6-32 X .188	.251	PKA90B1/4	1-1437624-7
SET SCREW	C SHAFT HOLE	MODEL NUMBER	PART NUMBER

THIS DRAWING IS A CONTROLLED DOCUMENT.		DWN M.BINNER	25MAR03	<b>STE</b> TE Connectivity	
DIMENSIONS: INCHES		CHK -	APVD -		
TOLERANCES UNLESS OTHERWISE SPECIFIED:		PRODUCT SPEC -	APPLICATION SPEC -	SIZE A3	CAGE CODE 00779
MATERIAL -		FINISH -	WEIGHT -	DRAWING NO C-1-1437624-0	RESTRICTED TO -
		CUSTOMER DRAWING		SCALE 1:1	SHEET 4 OF 4
				REV D1	

# Mouser Electronics

Authorized Distributor

Click to View Pricing, Inventory, Delivery & Lifecycle Information:

[TE Connectivity:](#)

[PKA70B1/4](#)