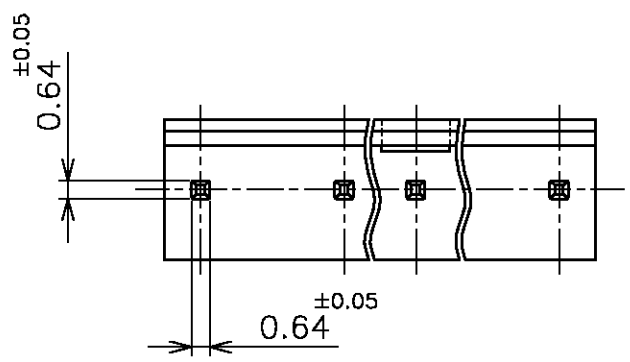
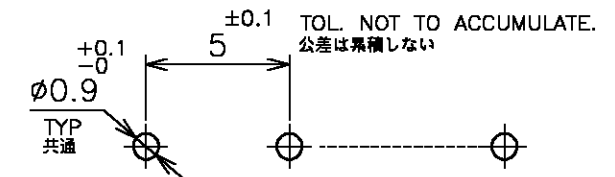
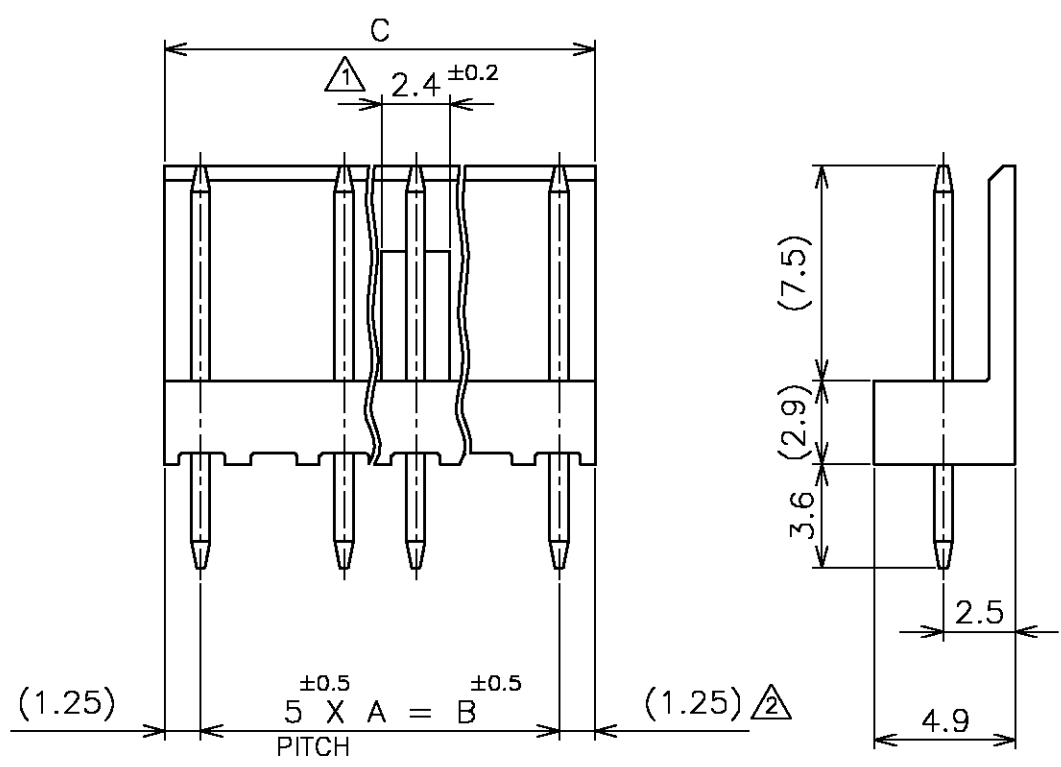


LOC	DIST	REVISIONS					
J	-	P	LTR	DESCRIPTION	DATE	DWN	APVD
		E		REVISED FJB0-0393-03	07MAY03	H.T	I.E



① LOCKING HOLE IS PLACED ON THE CENTER OF POST HEADER.
 ② 3.75 REF FOR -6 (6 POS) ONLY.

① ロッキング凹部位置は長手方向の中央。
 ② -6 (6極品) のみ 3.75 参考



RECOMMENDED BOARD LAYOUT (1.6 THK)
 取付基板穴寸法 (基板厚 1.6t)

30.0	25.0	5	6	4-172106-6	2-172106-6	172106-6
22.5	20.0	4	5	4- ↑ -5	2- ↑ -5	↑ -5
17.5	15.0	3	4	4- -4	2- -4	-4
12.5	10.0	2	3	4- -3	2- -3	-3
7.5	5.0	1	2	4-172106-2	2-172106-2	172106-2
±0.2 C	±0.5 B	A	NO OF POS 極数	BLUE 青色	BLACK 黒色	NATURAL 自然色
				PART NUMBER 型番		

THIS DRAWING IS A CONTROLLED DOCUMENT.

DWN	S.TSUKAKOSHI	29MAR79	tyco Electronics	Tyco Electronics AMP K.K. Kawasaki, Japan							
CHK	N.ONOUE	30MAR79		NAME	名称						
APVD	N.ONOUE	30MAR79	5mm PITCH POST HEADER ASSY (VERTICAL) AMP EI SERIES CONNECTOR								
PRODUCT SPEC	製品規格		SIZE	A3	CAGE CODE	00779	DRAWING NO	番号	C-172106	RESTRICTED TO	-
APPLICATION SPEC	取付適用規格		WEIGHT	CUSTOMER DRAWING		SCALE	4:1	SHEET	1 OF 1	REV	E
MATERIAL	HSG : 66NYLON UL94V-0 POST: BRASS	FINISH	仕上	POST: TIN-PLATE							

Mouser Electronics

Authorized Distributor

Click to View Pricing, Inventory, Delivery & Lifecycle Information:

[TE Connectivity:](#)

[172106-4](#)