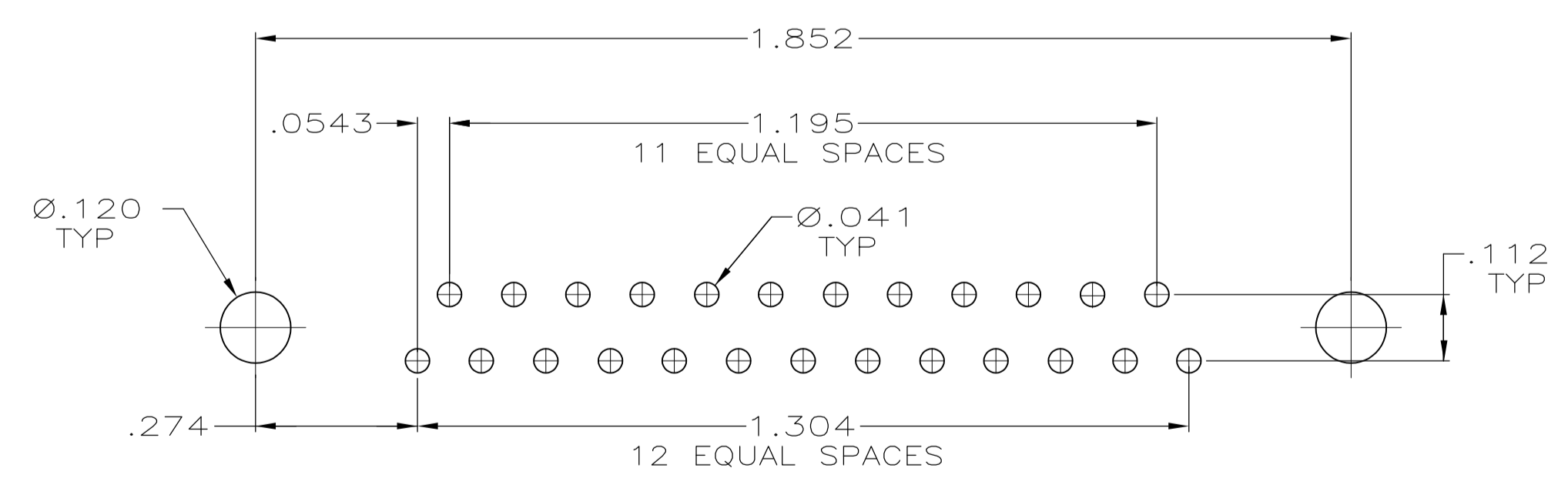
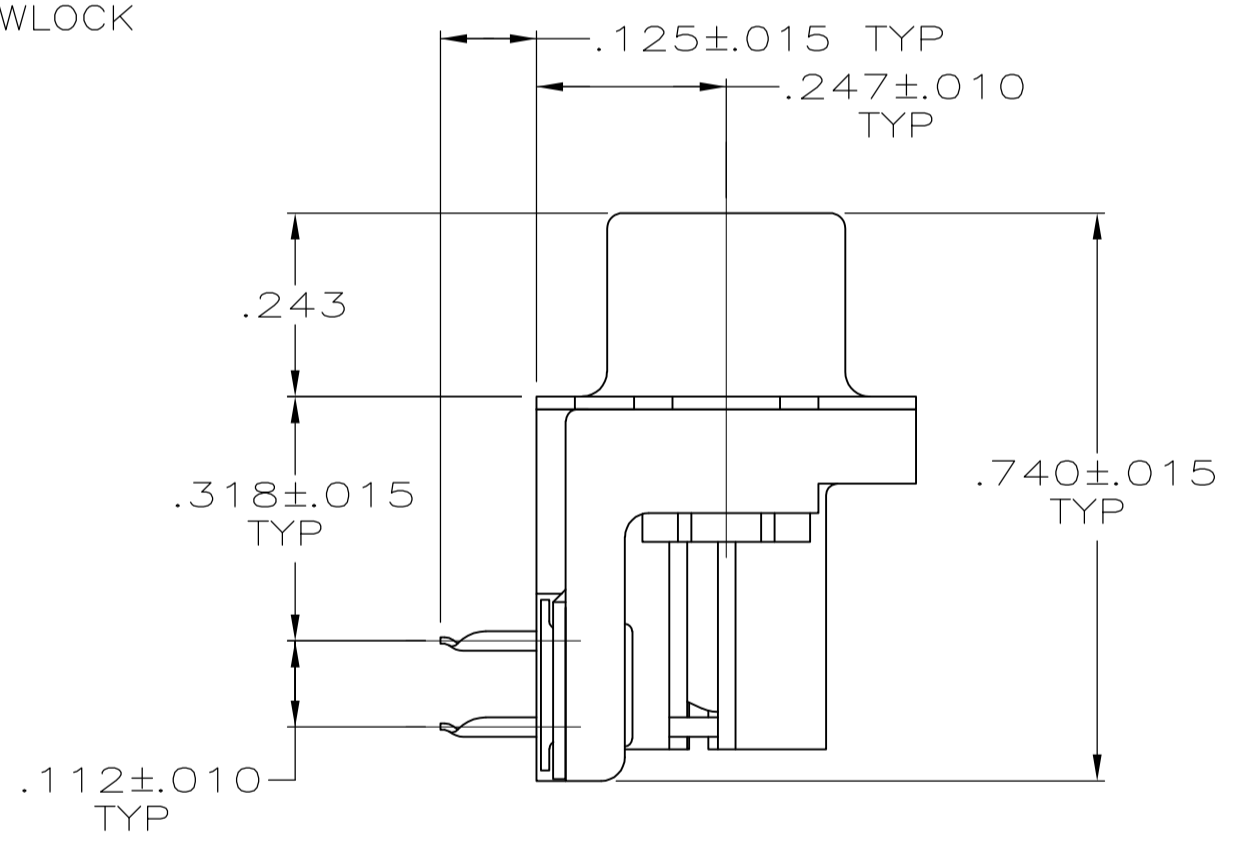
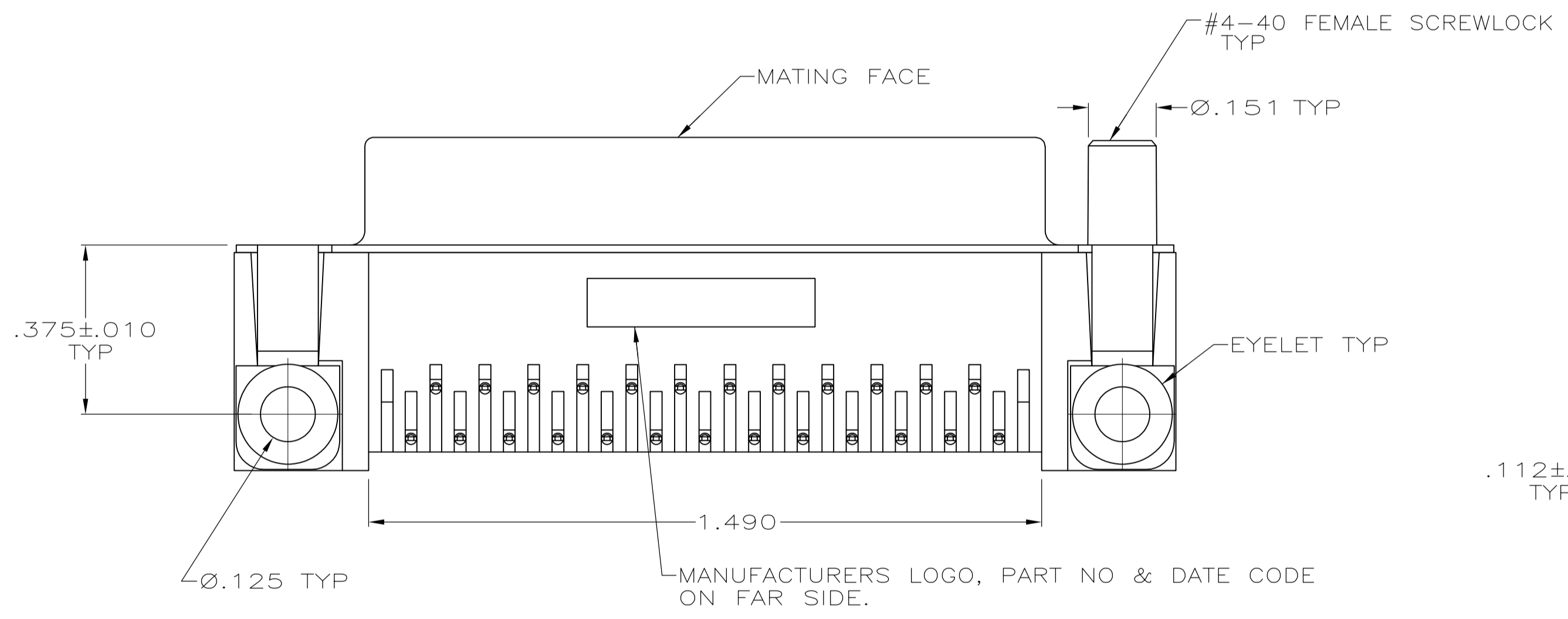


- 1 MOLDED PARTS: FLAME RETARDANT 94V-0 RATED THERMOPLASTIC, BLACK.
SHELL: CARBON STEEL
CONTACTS: PHOSPHOR BRONZE
EYELETS: BRASS
SCREWLOCKS: ZINC
INSERTS: ZINC
- 2 SHELL: .000100 MIN TIN OVER .000050 MIN COPPER.
CONTACTS: SEE TABLE
EYELETS: .000100 MIN TIN OVER COPPER FLASH.
SCREWLOCKS: CLEAR CHROMATE
INSERTS: CLEAR CHROMATE
- 3 GOLD FLASH FOR A DISTANCE OF .100 MIN FROM MATING END, .000100 MIN TIN ON OPPOSITE END, ALL OVER .000050 MIN NICKEL.
- 4 .000030 MIN GOLD FOR A DISTANCE OF .100 MIN FROM MATING END, .000100 MIN TIN ON OPPOSITE END, ALL OVER .000050 MIN NICKEL.



RECOMMENDED P.C. BOARD MOUNTING DIMENSIONS

DETAIL M
FOR -5 & -6 ONLY

FEMALE SCREWLOCKS	4	5745783-6
FEMALE SCREWLOCKS	3	5745783-5
THREADED INSERTS	4	5745783-4
THREADED INSERTS	3	5745783-3
NONE	4	5745783-2
MOUNTING HARDWARE	CONTACT FINISH	PART NUMBER

THIS DRAWING IS A CONTROLLED DOCUMENT.

DIMENSIONS: INCHES	TOLERANCES UNLESS OTHERWISE SPECIFIED:	APVD: A. FERNANDEZ-DOCKS 04-06-05	CHK: S. BOLASH 04-06-05	NAME: M. WALMSLEY 04-06-05
0 PLC ± -	1 PLC ± -	RCPT ASSY, SIZE 3, 25 POSN, RTANG, AMPLITE HD-20, WITH METAL SHELL, WITH OR WITHOUT SCREWLOCKS OR INSERTS		
2 PLC ± -	3 PLC ± .005	PRODUCT SPEC: 108-40025	SIZE: 114-40010	SCALE: 4:1
4 PLC ± -	ANGLES ± °	APPLICATION SPEC: 114-40010	WEIGHT: -	SHEET 1 OF 1
MATERIAL: 1	FINISH: 2	CAGE CODE: A100779	DRAWING NO: 5745783	REV: P
CUSTOMER DRAWING		SCALE: 4:1 SHEET 1 OF 1 REV: P		

**COPYRIGHT 2005
TE CONNECTIVITY CORP
ALL RIGHTS RESERVED**



Mouser Electronics

Authorized Distributor

Click to View Pricing, Inventory, Delivery & Lifecycle Information:

[TE Connectivity:](#)

[5745783-6](#)