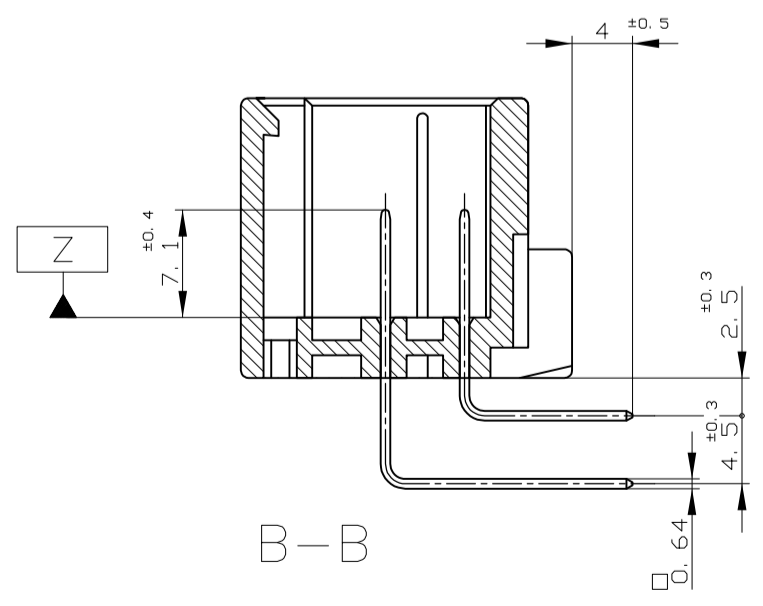
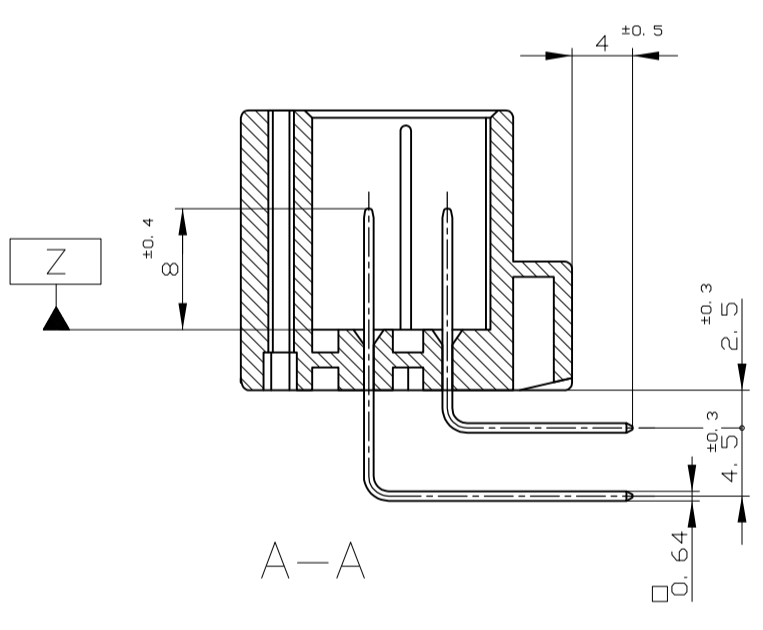
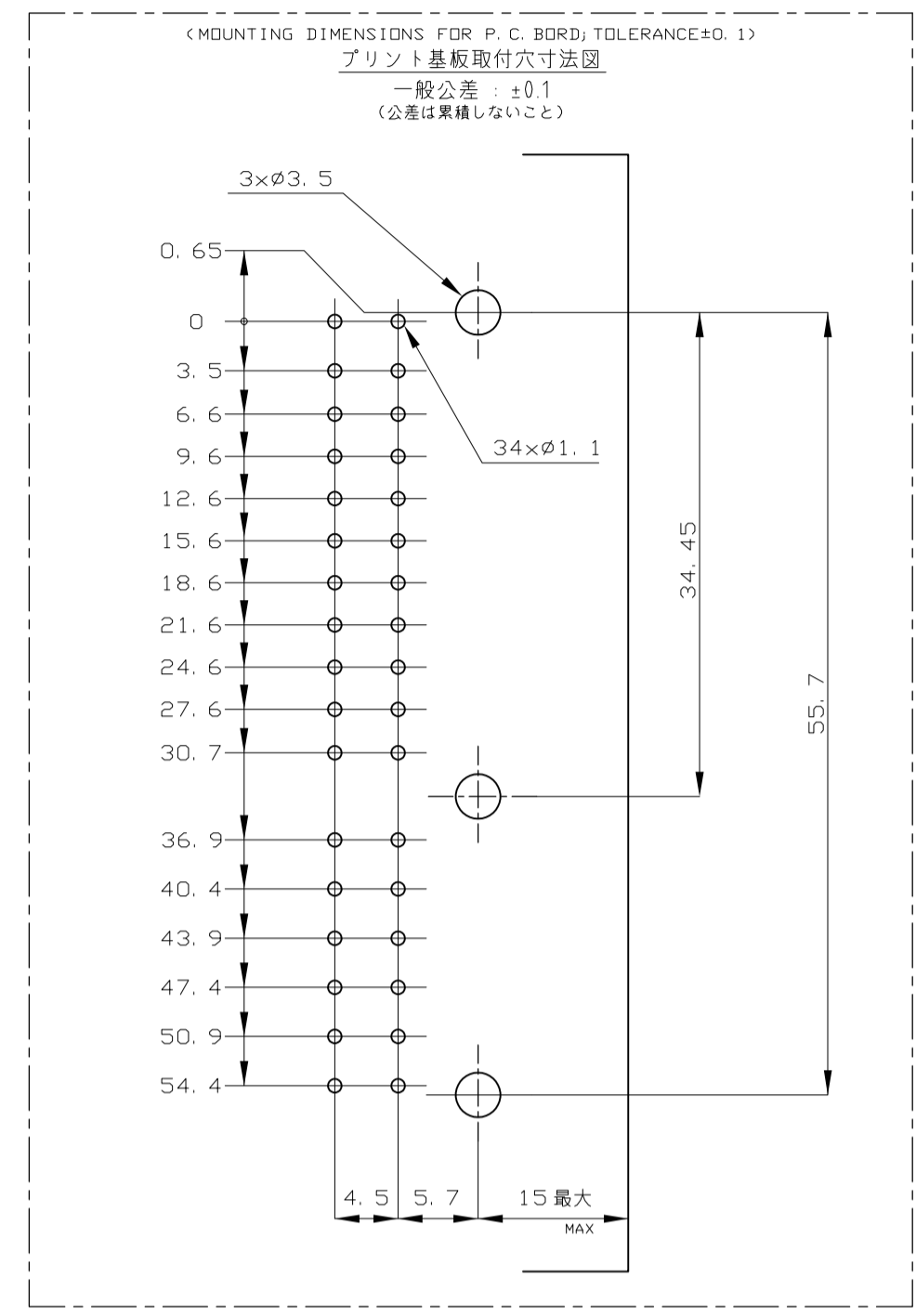
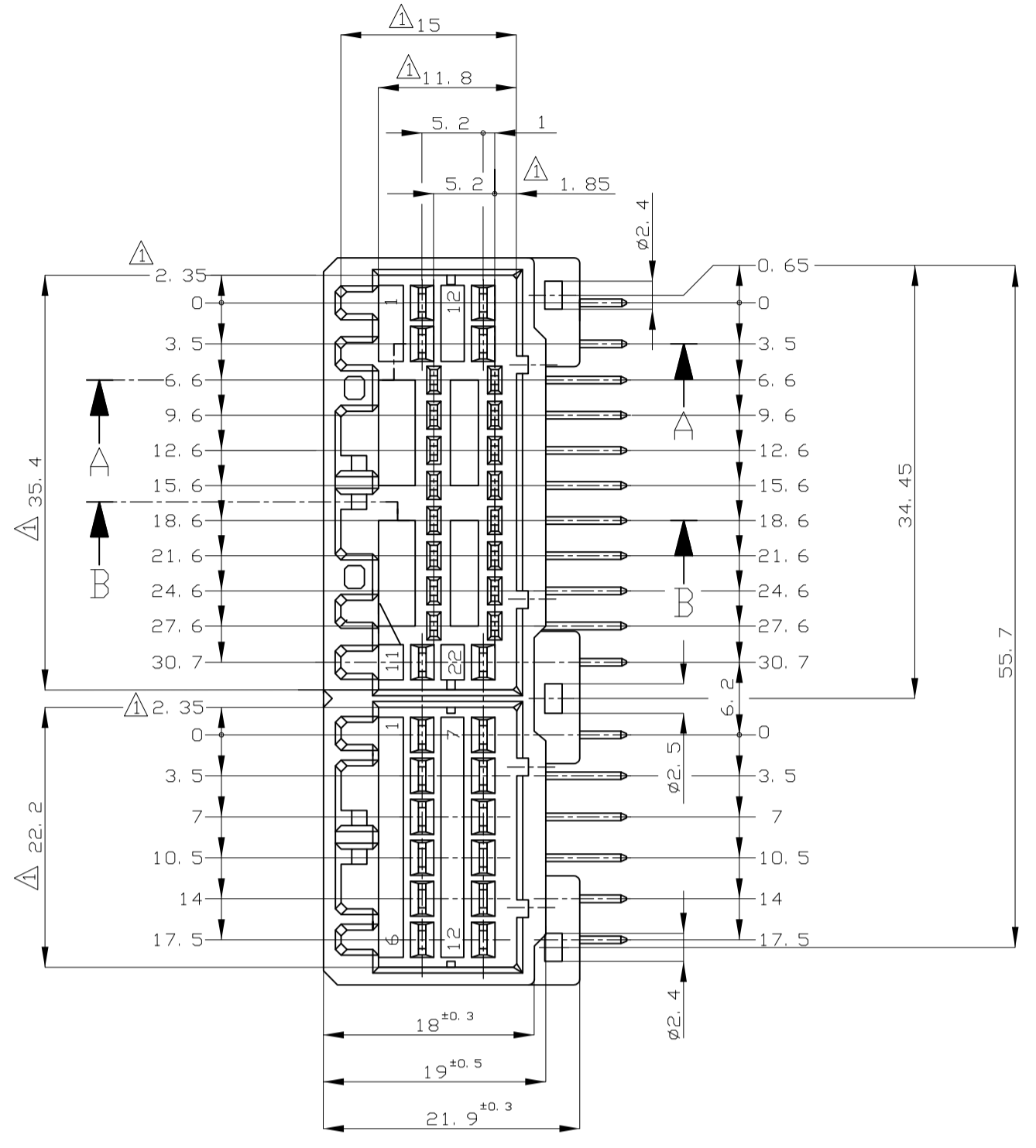
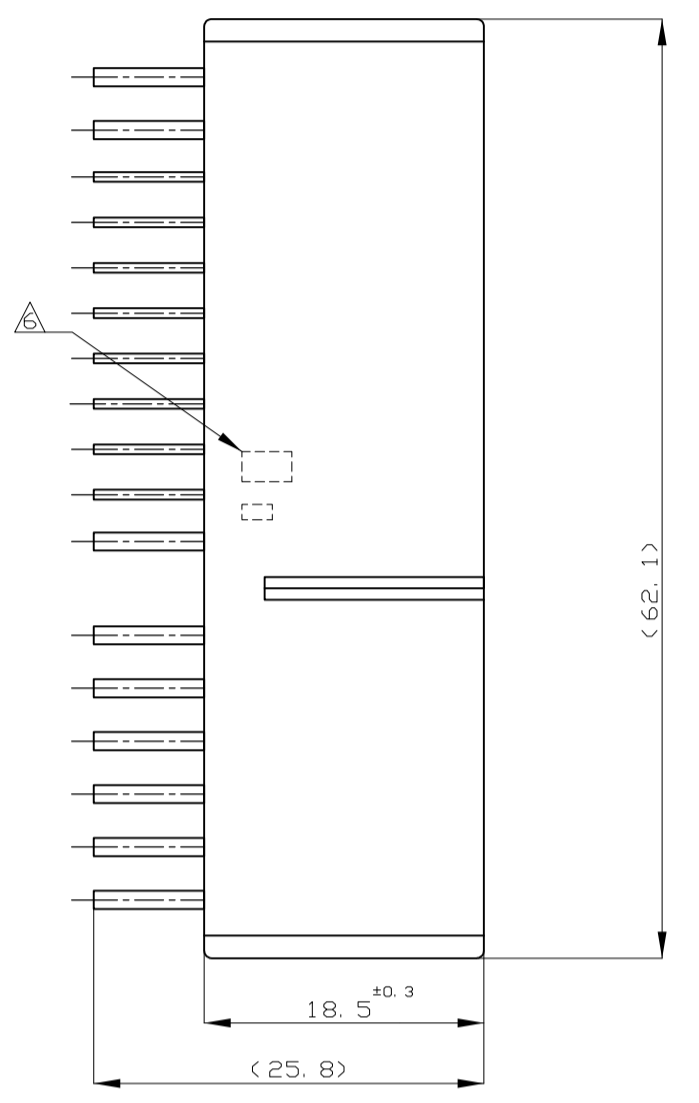
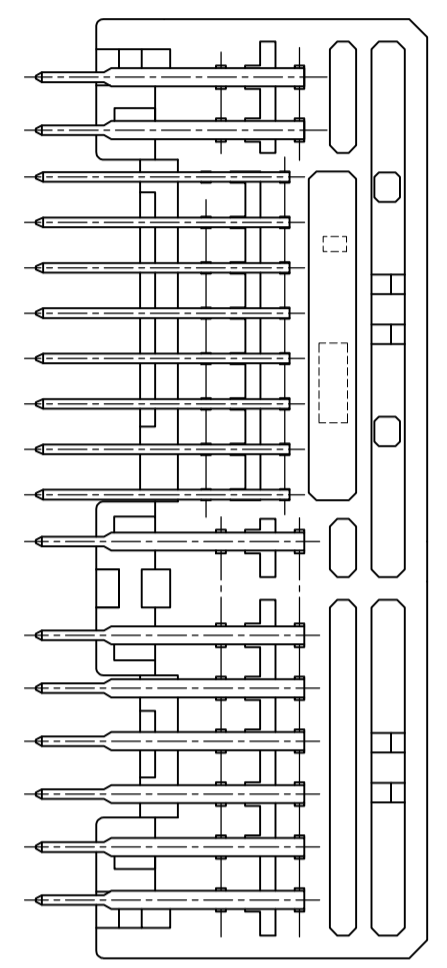
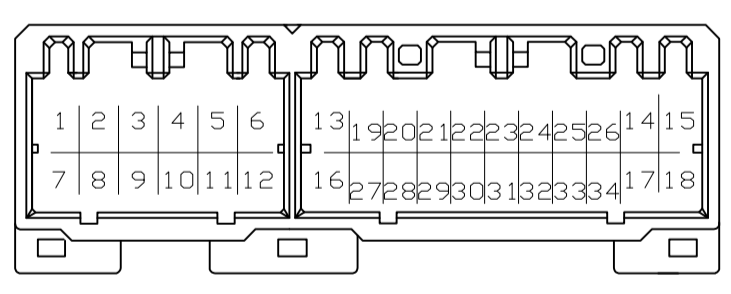


REVISIONS					
REV	DATE	DESCRIPTION	BY	CHK	APPV
P10	REVISED	ECR-16-003280	06SEP2016	KF	HY



- 注記
- △ Z 面から2mmの範囲で測定
 - 嵌合相手ハウジング型 174515, 175442, 917989, 917978
 - 推奨取付ねじ: JIS B1115, B1122 ツッピンねじ, なべ2種
呼び径3, 長さ6mm以下 (締付けトルク: 0.4N-m以下)
 - 適用製品規格番号: 108-5280, 108-5342
- △ 回路番号
- パワ回路 ① ~ ⑬
シグナル回路 ⑭ ~ ⑳
- △ コンタクト仕上識別マーク



- NOTES; △ MUST BE KEPT BETWEEN Z AND 2
- THE MATING PLUG HSG. PART NUMBER; 174515, 175442, 917989, 917978
 - RECOMMENDED MOUNTING SCREW; 3mm DIA, 6mm LENGTH (MAX.)
PAN HEAD, CLASS 2 TAPPING SCREW SPECIFIED IN JIS B1115, B1122
(TIGHTENING TORQUE; 0.4N-m MAX.)
 - APPLICABLE PRODUCT SPEC NO. 108-5280, 108-5342
- △ CIRCUIT NUMBER
- POWER CIRCUIT NO. ① ~ ⑬
SIGNAL CIRCUIT NO. ⑭ ~ ⑳
- △ MARKING FOR DISCERNMENT OF THE CONTACT FINISH

Part No.	Pin	Finish	Material	Plating	Power Circuit No.	Signal Circuit No.	Color	Part Name
FJPI-7-175444-6	57	SELECTIVE-TIN (MATTE)	SELECTIVE GOLD x 8	14, 17, 18	24~26, 32, 34		GRAY 灰色	7-175444-6
FJPI-3-175444-6	53	PRE-TIN x 26	SELECTIVE GOLD x 13	2~5	28~24, 29~32		GRAY 灰色	3-175444-6
FJPI-4-175444-1	56	PRE-TIN x 21	SELECTIVE GOLD x 8	-	19~22, 27~30		NATURAL 自然色	6-175444-1
FJPI-5-175444-9	55	PRE-TIN x 26	SELECTIVE GOLD x 8	4, 6, 9, 12	26, 28, 29, 34		LIGHT GRAY 淡灰色	5-175444-9
FJPI-5-175444-1	55	PRE-TIN x 26	SELECTIVE GOLD x 8	4, 6, 9, 12	26, 28, 29, 34		NATURAL 自然色	5-175444-1
FJPI-3-175444-2	53	PRE-TIN x 21	SELECTIVE GOLD x 13	2~5	28~24, 29~32		BLACK 黒色	3-175444-2
FJPI-2-175444-1	52	PRE-TIN x 18	SELECTIVE GOLD x 16	-	19~34		NATURAL 自然色	2-175444-1
FJPI-4-175444-6	54	PRE-TIN x 21	SELECTIVE GOLD x 8	-	20, 24, 26~28, 32~34		GRAY 灰色	4-175444-6
FJPI-3-175444-1	53	PRE-TIN x 21	SELECTIVE GOLD x 13	2~5	28~24, 29~32		NATURAL 自然色	3-175444-1
FJPI-7-175444-6	7	TIN-LEAD	SELECTIVE GOLD x 8	14, 17, 18	24~26, 32, 34		GRAY 灰色	7-175444-6
FJPI-6-175444-1	6	TIN-LEAD	SELECTIVE GOLD x 8	-	19~22, 27~30		NATURAL 自然色	6-175444-1
FJPI-5-175444-9	5	TIN-LEAD	SELECTIVE GOLD x 8	4, 6, 9, 12	26, 28, 29, 34		LIGHT GRAY 淡灰色	5-175444-9
FJPI-5-175444-6	5	TIN-LEAD	SELECTIVE GOLD x 4	5, 6, 11, 12	-		GRAY 灰色	5-175444-6
FJPI-5-175444-2	5	TIN-LEAD	SELECTIVE GOLD x 8	4, 6, 9, 12	26, 28, 29, 34		BLACK 黒色	5-175444-2
FJPI-5-175444-1	5	TIN-LEAD	SELECTIVE GOLD x 8	4, 6, 9, 12	26, 28, 29, 34		NATURAL 自然色	5-175444-1
FJPI-4-175444-6	4	TIN-LEAD	SELECTIVE GOLD x 8	-	20, 24, 26~28, 32~34		GRAY 灰色	4-175444-6
FJPI-3-175444-6	3	TIN-LEAD	SELECTIVE GOLD x 13	2~5	28~24, 29~32		GRAY 灰色	3-175444-6
FJPI-3-175444-1	3	TIN-LEAD	SELECTIVE GOLD x 13	2~5	28~24, 29~32		NATURAL 自然色	3-175444-1
FJPI-2-175444-1	2	TIN-LEAD	SELECTIVE GOLD x 16	-	19~34		NATURAL 自然色	2-175444-1
FJPI-175444-9	0	PRE-TIN x 34	-	-	-		GRAY 灰色	175444-9
FJPI-175444-8	0	PRE-TIN x 34	-	-	-		ORANGE オレンジ色	175444-8
FJPI-175444-6	0	PRE-TIN x 34	-	-	-		GRAY 灰色	175444-6
FJPI-175444-5	0	PRE-TIN x 34	-	-	-		BLUE 青色	175444-5
FJPI-175444-3	8	PRE-TIN x 34	SELECTIVE-TIN (BRIGHT)	-	-		NATURAL 自然色	175444-3
FJPI-175444-2	0	PRE-TIN x 34	-	-	-		BLACK 黒色	175444-2
FJPI-175444-1	0	PRE-TIN x 34	-	-	-		NATURAL 自然色	175444-1

THIS DRAWING IS A CONTROLLED DOCUMENT.

DMN: M. KADOSAKI 120CT05
 CHK: T. SHINOHARA 120CT05
 APVD: K. BESTUI 120CT05

STE TE Connectivity

34 POSITION CAP HOUSING ASS'Y
 040/070 SERIES HYBRID I/O CONNECTOR

GENERAL TOLERANCE: DC < 10: ±0.2, 10 < DC < 30: ±0.25, 30 < DC < 100: ±0.3, ANGLES: ±3°

MATERIAL: HOUSING: PBT, CONTACT: BRASS

FINISH: 仕上 見 TABLE

WEIGHT: 19 g

SCALE: 2:1

SHEET: 1 of 1

CUSTOMER DRAWING

Mouser Electronics

Authorized Distributor

Click to View Pricing, Inventory, Delivery & Lifecycle Information:

[TE Connectivity:](#)

[175444-6](#)