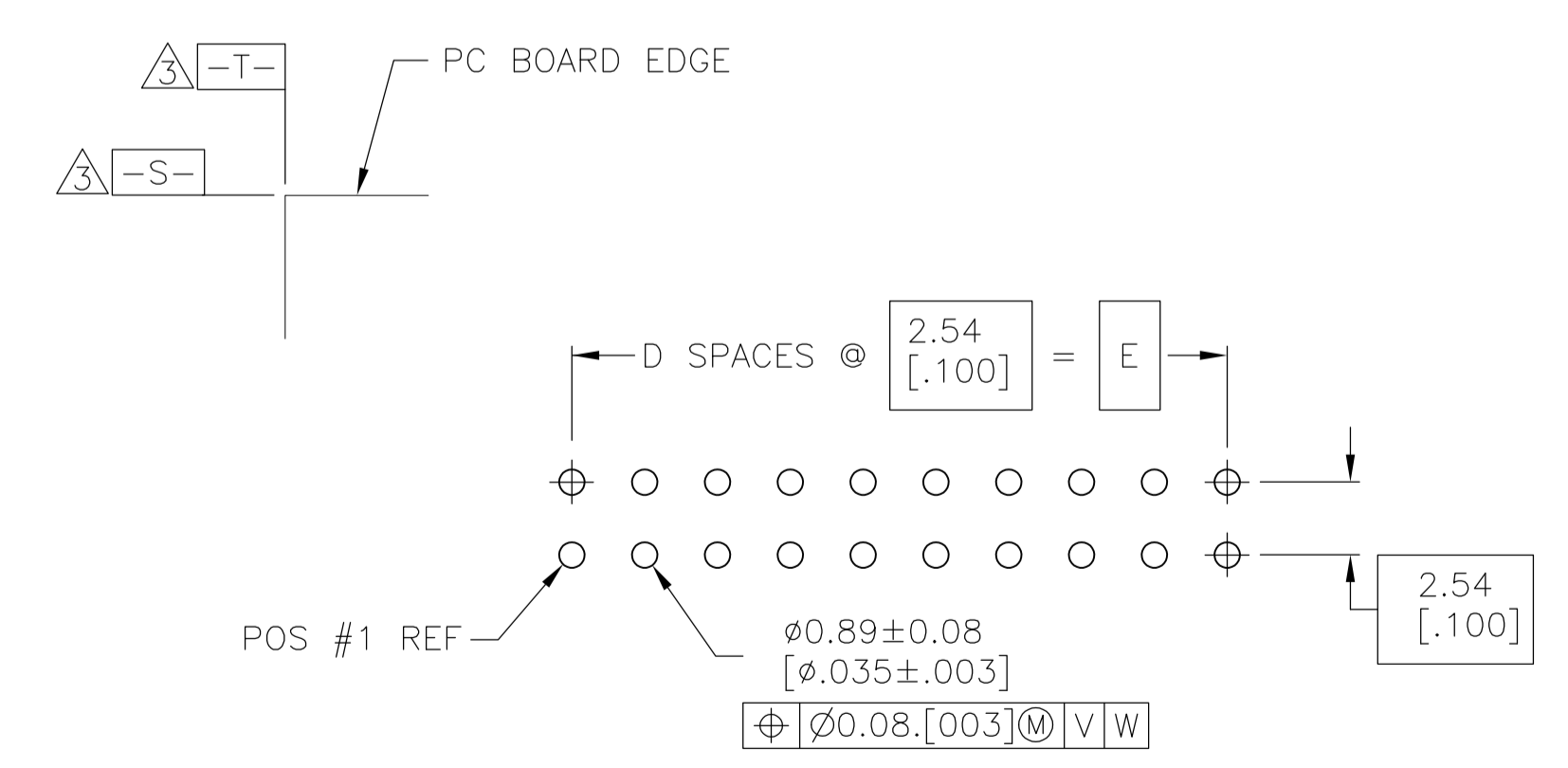
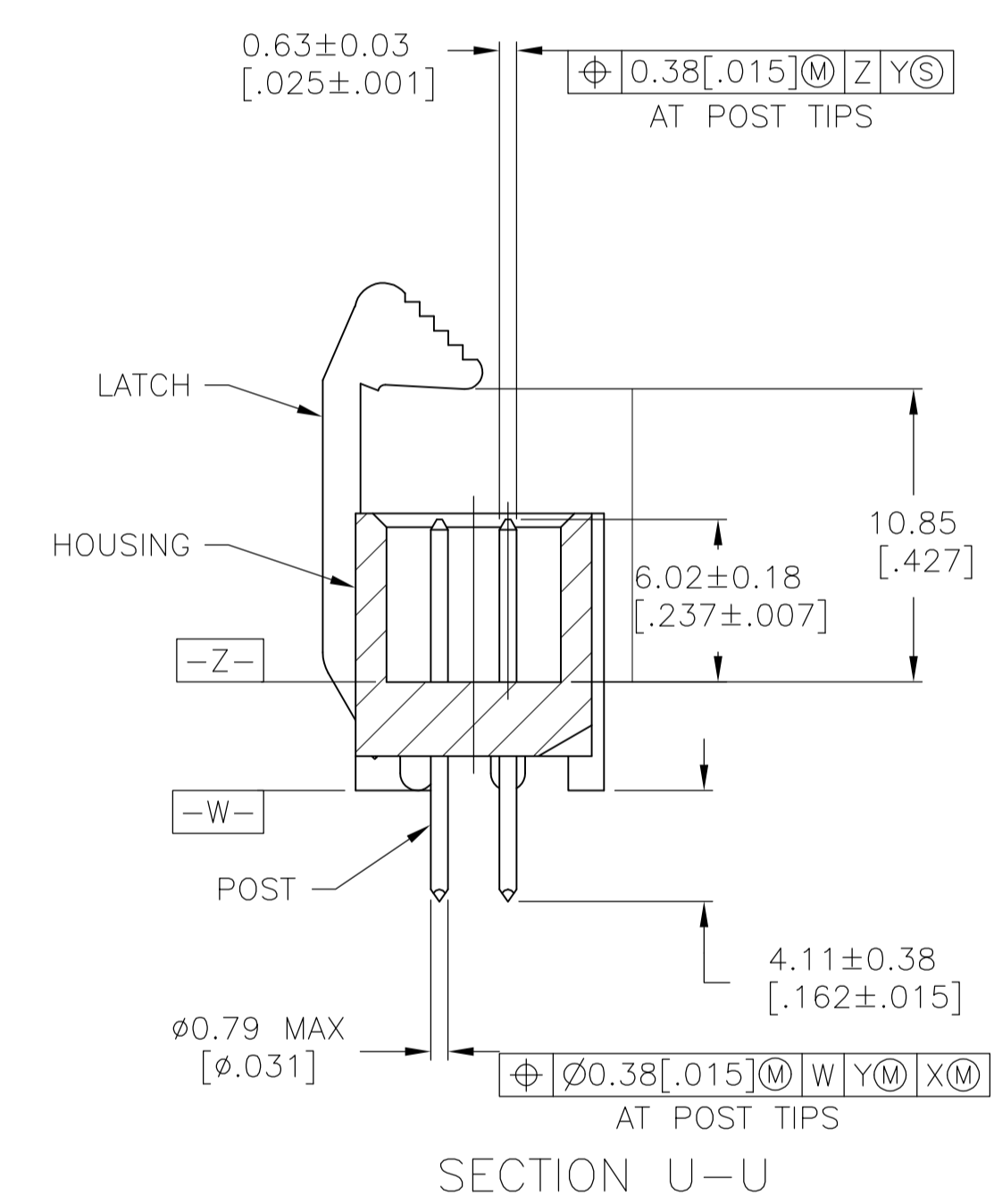
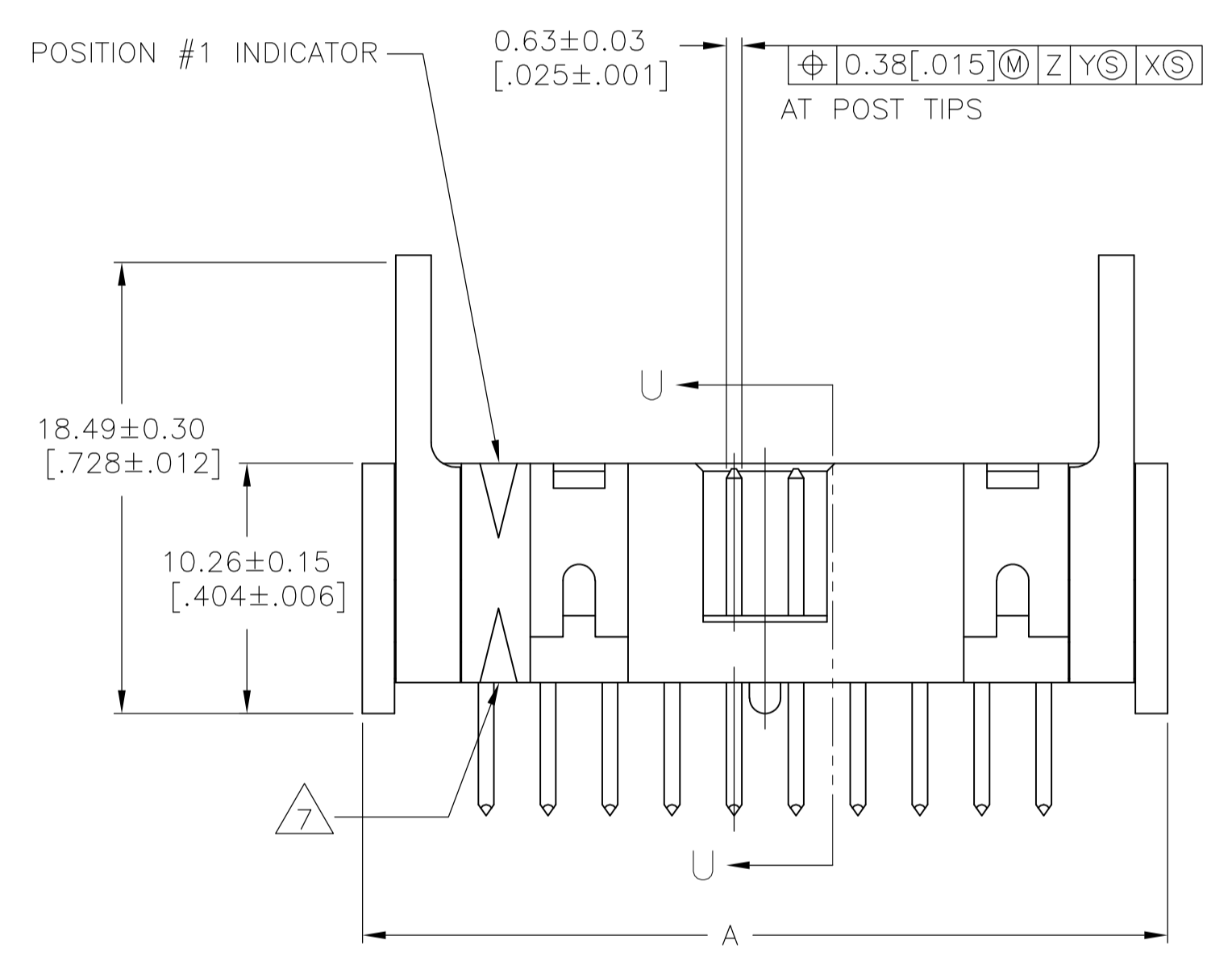


- △ HOUSING: PBT, UL94V-0, COLOR: BLUE.
- △ POSTS: PHOSPHOR BRONZE.
- △ LATCHES: ZINC ALLOY.
- △ POSTS: GOLD FLASH OVER PALLADIUM-NICKEL PLATE, 0.76 μ m[.00030] MIN TOTAL ON MATING AREA, 2.54 μ m[.000100] MIN TIN PLATE ON SOLDER-TAIL, ALL OVER 1.27 μ m[.000050] MIN NICKEL UNDERPLATE ON ENTIRE POST.
- OR
- △ 0.76 μ m[.00030] MIN GOLD PLATE ON MATING AREA, 2.54 μ m[.000100] MIN TIN PLATE ON THE SOLDER-TAIL, 1.27 μ m[.000050] MIN NICKEL UNDERPLATE ON THE ENTIRE POST.
- △ LATCHES: BLACK NICKEL OVER COPPER.
- △ DATUMS S & T TO BE ESTABLISHED BY CUSTOMER.
- △ NO KEYING SLOT ON THIS END FOR 6, 10 & 14 POSITION ASSEMBLIES.
- △ NO KEYING SLOT ON THIS END FOR 6 & 10 POSITION ASSEMBLIES.
- △ NO STANDOFF FOR 6, 10, 14 & 16 POSITION ASSEMBLIES.
- △ ALTERNATE LOCATION/ORIENTATION FOR POSITION #1 INDICATOR.



	73.66 [2.900]	29	75.69 [2.980]	81.18 [3.196]	83.82 [3.300]	60	3-1761713-6
	60.96 [2.400]	24	62.99 [2.480]	68.48 [2.696]	71.12 [2.800]	50	3-1761713-5
	48.26 [1.900]	19	50.29 [1.980]	55.78 [2.196]	58.42 [2.300]	40	3-1761713-3
	40.64 [1.600]	16	42.67 [1.680]	48.16 [1.896]	50.80 [2.000]	34	3-1761713-1
OBSOLETE	30.48 [1.200]	12	32.51 [1.280]	38.00 [1.496]	40.64 [1.600]	26	2-1761713-9
	27.94 [1.100]	11	29.97 [1.180]	35.46 [1.396]	38.10 [1.500]	24	2-1761713-8
	22.86 [.900]	9	24.89 [.980]	30.38 [1.196]	33.02 [1.300]	20	2-1761713-7
	17.78 [.700]	7	19.81 [.780]	25.30 [.996]	27.94 [1.100]	16	2-1761713-6
	15.24 [.600]	6	17.27 [.680]	22.76 [.896]	25.40 [1.000]	14	2-1761713-5
	10.16 [.400]	4	12.19 [.480]	17.68 [.696]	20.32 [.800]	10	2-1761713-3
	5.08 [.200]	2	7.11 [.280]	12.60 [.496]	15.24 [.600]	6	2-1761713-1
	E	D	C	B	A	NO OF POS	PART NUMBER

THIS DRAWING IS A CONTROLLED DOCUMENT.

DIN B. CRISAMORE/DJI 30JUN05
 CHK S. BOLASH 30JUN05
 APVD M. WALMSLEY 30JUN05
 NAME M. WALMSLEY 30JUN05

TE Connectivity

HEADER ASSEMBLY, SHORT EJECT LATCH, VERTICAL, LOW PROFILE, IDC

PRODUCT SPEC

APPLICATION SPEC

SIZE A1 CAGE CODE 00779 DRAWING NO. 1761713 RESTRICTED TO

WEIGHT

CUSTOMER DRAWING SCALE 4:1 SHEET 1 OF 1 REV F1

Mouser Electronics

Authorized Distributor

Click to View Pricing, Inventory, Delivery & Lifecycle Information:

[TE Connectivity:](#)

[3-1761713-3](#)