

This document is the property of Amphenol Corporation and is delivered on the express condition that is not to be disclosed, reproduced or used, in whole or in part, for manufacture or sale by anyone other than Amphenol Corporation without its prior consent, and that no right is granted to disclose or to use any information in this document.

The marking on this product doesn't contain environmental hazardous materials per Material Specification 55-00259 for Sony GP compliant or per directive EU/2015/863 for RoHS compliant.



ORIGINAL



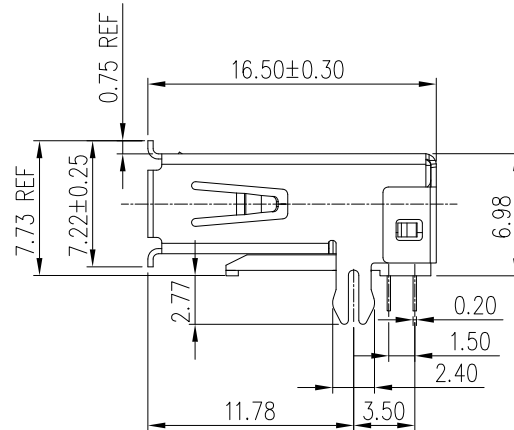
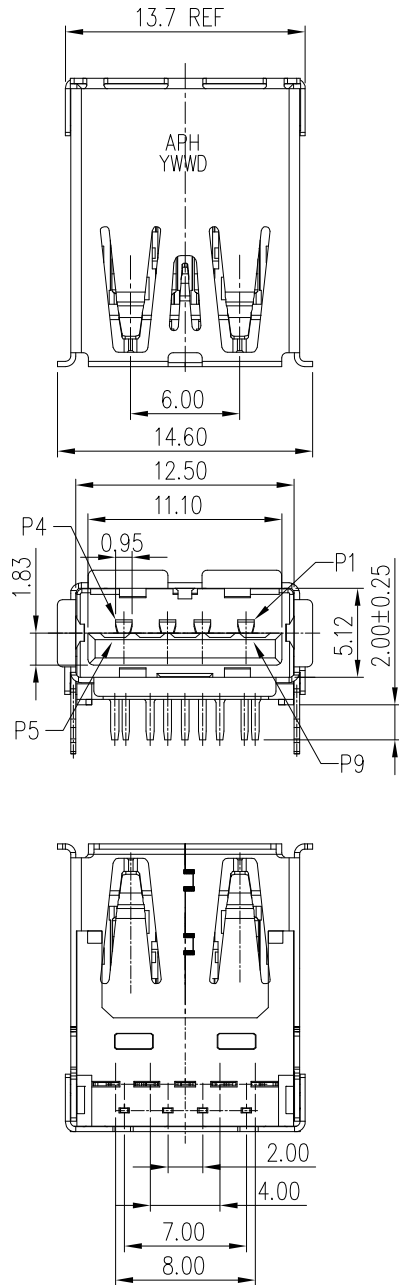
| REVISIONS | | | | |
|-----------|----------|-------------------------------------|------------|-----------|
| SYM | ECN No. | DESCRIPTION | DATE | APPROVED |
| A | | RELEASE REVISION | 10/25/2010 | Arron Lin |
| B | EN-11036 | ADDED DATE CODE | 03/18/2011 | Arron Lin |
| C | NE-17044 | UPDATE DRAWING AND PACKAGE QUANTITY | 03/06/2017 | Arron Lin |
| D | NE-17208 | UPDATE PACKING DRAWING | 08/02/2017 | Arron Lin |

NOTES:

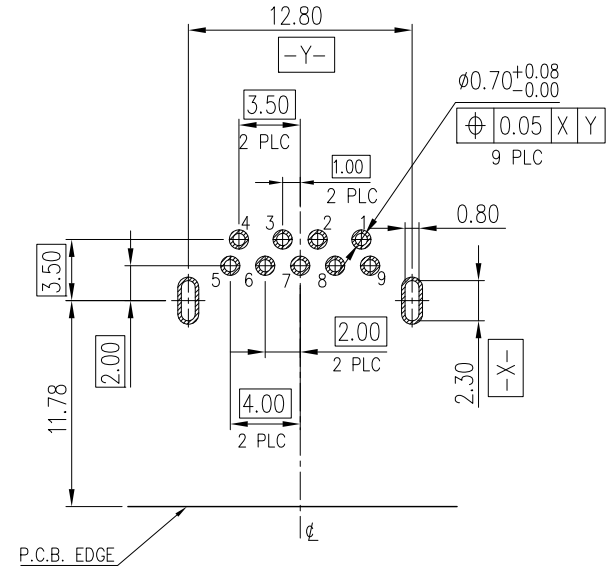
- MATERIAL:
HOUSING: HIGH TEMPERATURE THERMAL PLASTIC LCP , UL94V-0, COLOR: BLUE.
USB 3.0 TERMINAL: COPPER ALLOY, USB 2.0 TERMINAL: COPPER ALLOY.
SHELL: STAINLESS STEEL.
- FINISH:
TERMINAL:
CONTACT AREA: GOLD PLATING 30u" THICKNESS MIN.
SOLDERING AREA: MATTE TIN PLATING 100 μ" THICKNESS MIN.
UNDER PLATING: NICKEL PLATING 50 μ" THICKNESS MIN. OVERALL.
SHELL: NICKEL PLATING 30 μ" THICKNESS MIN. OVERALL.
- THIS PRODUCT DOESN'T CONTAIN ENVIRONMENTAL HAZARDOUS PER DIRECTIVE EU/2015/863 FOR RoHS COMPLIANT.
- PRODUCT SPECIFICATION REFER TO : PS-7425.

PART NO. GSB311AX1EU

PLATING OF SOLDERING AREA
4: 100u" MATTE TIN



| PIN NUMBER | SIGNAL NAME |
|------------|-------------|
| 1 | VBUS |
| 2 | D- |
| 3 | D+ |
| 4 | GND |
| 5 | StdA_SSRX- |
| 6 | StdA_SSRX+ |
| 7 | GND_DRAIN |
| 8 | StdA_SSTX- |
| 9 | StdA_SSTX+ |



RECOMMEND P.C.B LAYOUT (THICKNESS=1.2mm)
(COMPONENT SIDE) TOLERANCE±0.03

| TOLERANCE | APPROVALS | DATE | TITLE | | Amphenol® | |
|----------------------------|--------------------|--------------------|---|----------|---|--------------|
| X. ±0.30 | DRAWN Debby Hung | 08/02/2017 | USB 3.0 RECEPTACLE, REVERSE TYPE, CENTER HEIGHT= 4.13MM | | Amphenol Corporation Amphenol Taiwan Corporation | |
| X.X ±0.20 | CHECKED Sandy Wu | 08/02/2017 | | | | |
| X.XXX ±0.10 | APPROVED Arron Lin | 08/02/2017 | | | | |
| ANGULAR ±1° | DWG TYPE CUST DWG | PROJECT CODE OTHER | UNIT mm | SCALE NA | SIZE A3 | SHEET 1 OF 2 |
| UNLESS OTHERWISE SPECIFIED | | | PART No. GSB311AX1EU | | DWG No. GSB311AX1EU | |
| | | | REV. D | | | |

This document is the property of Amphenol Corporation and is delivered on the express condition that is not to be disclosed, reproduced or used, in whole or in part, for manufacture or sale by anyone other than Amphenol Corporation without its prior consent, and that no right is granted to disclose or to use any information in this document.

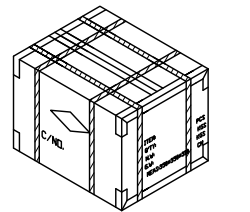
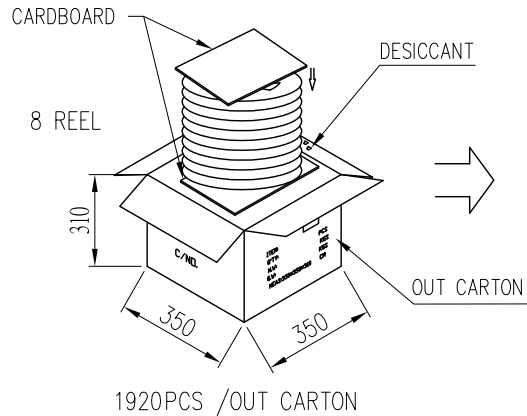
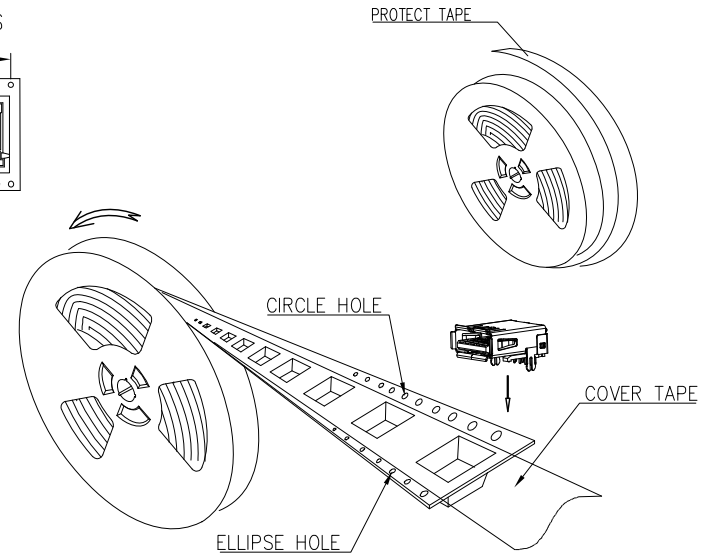
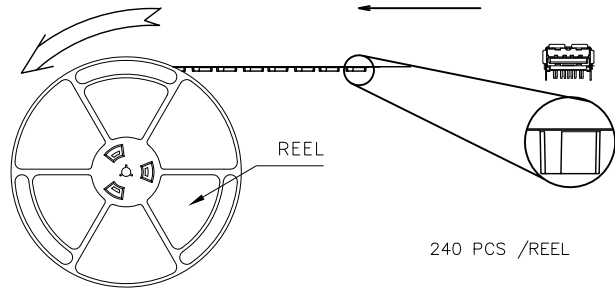
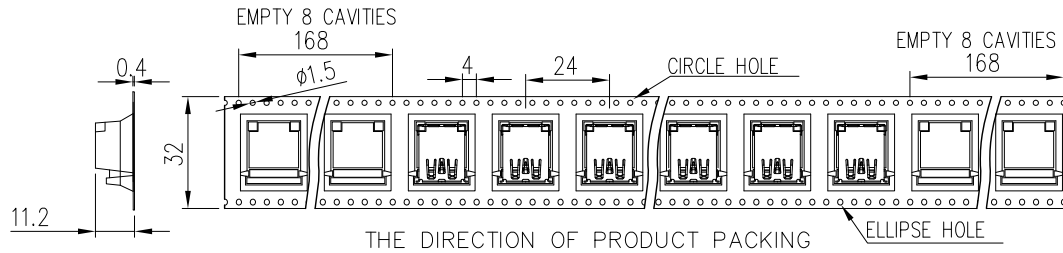
The marking on this product doesn't contain environmental hazardous materials per Material Specification 55-00259 for Sony GP compliant or per directive EU/2015/863 for RoHS compliant.



ORIGINAL



| REVISIONS | | | | |
|-----------|----------|-------------------------------------|------------|-----------|
| SYM | ECN No. | DESCRIPTION | DATE | APPROVED |
| A | | RELEASE REVISION | 10/25/2010 | Arron Lin |
| B | EN-11036 | ADDED DATE CODE | 03/18/2011 | Arron Lin |
| C | NE-17044 | UPDATE DRAWING AND PACKAGE QUANTITY | 03/06/2017 | Arron Lin |
| D | NE-17208 | UPDATE PACKING DRAWING | 08/02/2017 | Arron Lin |



| | | | | | | |
|------------------|--------|--------|-----------|------------|----------------|-------------|
| PACKAGING BY T&R | 8.7 | 5.1 | 240 | 8 | 1920 | GSB311AX1EU |
| | G/W KG | N/W KG | PCS/ REEL | REELS/ BOX | QUANTITY (PCS) | PART NUMBER |

| TOLERANCE | APPROVALS | DATE | TITLE | | PART No. | |
|----------------------------|--------------------|--------------------|---|----------|---|--------------|
| X. ±0.30 | DRAWN Debby Hung | 08/02/2017 | USB 3.0 RECEPTACLE, REVERSE TYPE, CENTER HEIGHT= 4.13MM | | Amphenol [®] Amphenol Corporation Amphenol Taiwan Corporation | |
| X.X ±0.20 | CHECKED Sandy Wu | 08/02/2017 | | | | |
| X.XXX ±0.10 | APPROVED Arron Lin | 08/02/2017 | | | | |
| ANGULAR ±1° | DWG TYPE CUST DWG | PROJECT CODE OTHER | UNIT mm | SCALE NA | SIZE A3 | SHEET 2 OF 2 |
| UNLESS OTHERWISE SPECIFIED | | | | | PART No. GSB311AX1EU DWG No. GSB311AX1EU REV. D | |