

4

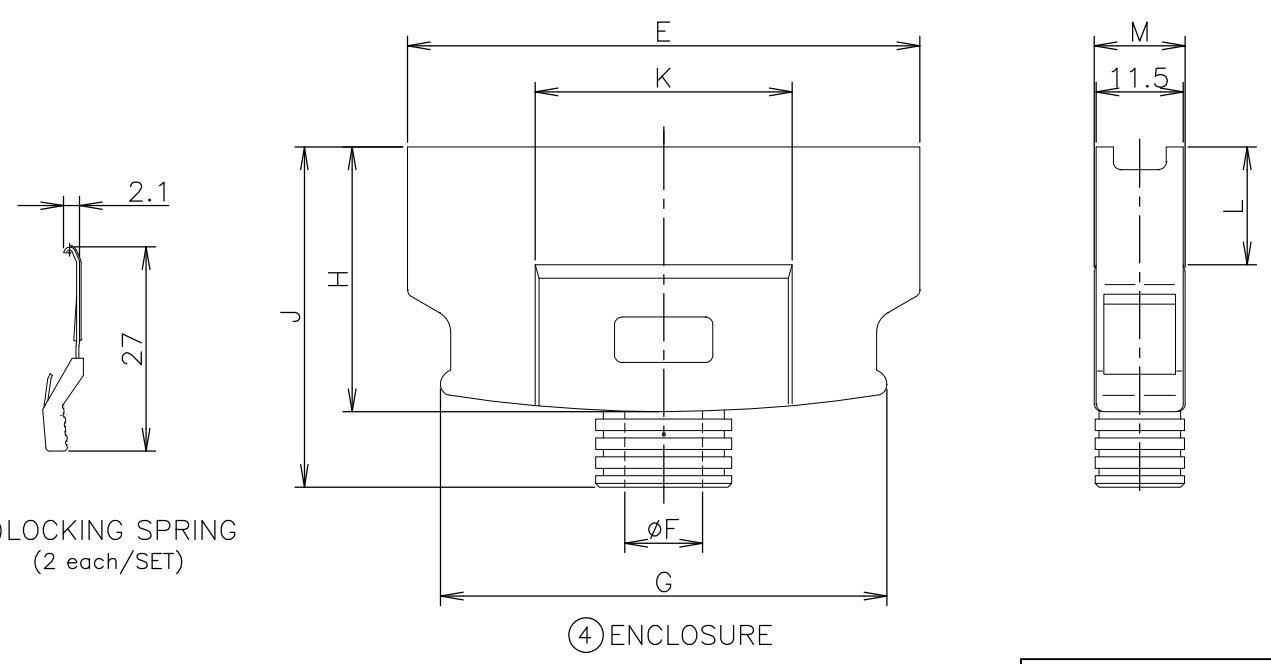
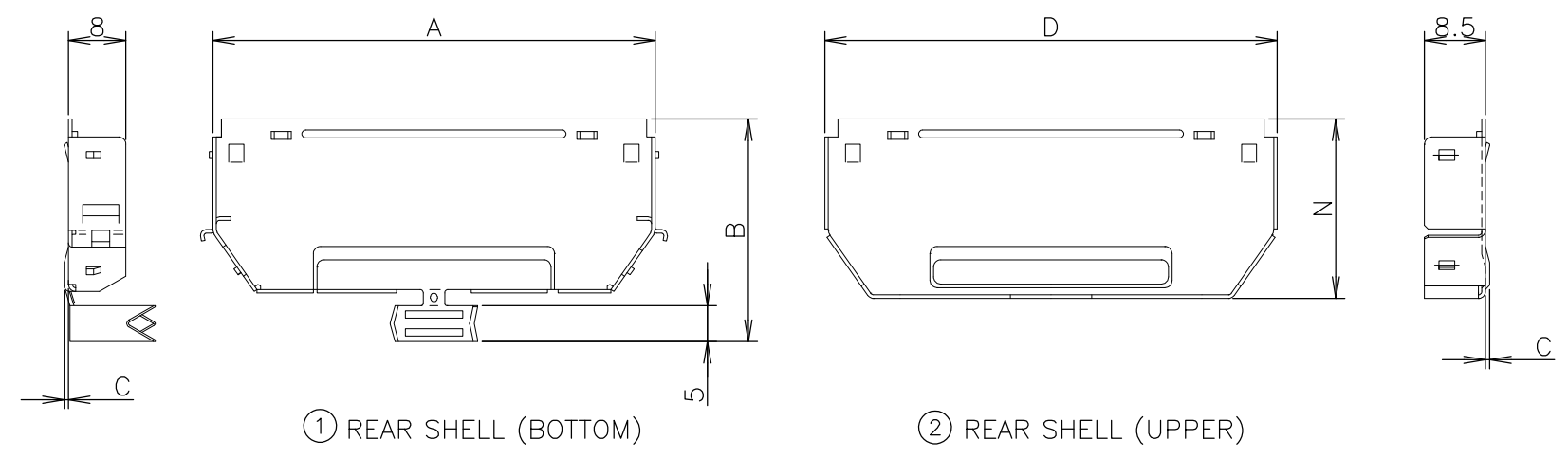
3

2

1

THIS DRAWING IS UNPUBLISHED. RELEASED FOR PUBLICATION OCT., 2000.
 © COPYRIGHT 2000 By - ALL RIGHTS RESERVED.

LOC	DIST	REVISIONS			
P	LTR	DESCRIPTION	DATE	DWN	APVD
J		G1	PER ECO-13-016951	15AUG2014	BL JY



1 - -0; AS SHOWN

80	61.80	31	0.6	63.10	67.75	10.3	59.05	35	45	34	15.6	11.8	25
100	74.50	33	1.3	75.80	80.45	11.2	71.75	37	47	38	12.5	13.5	27
68	54.18	28	0.6	55.48	60.13	9.8	51.43	32	42	30	14.3	12.0	22
50	42.75	28	*	44.05	48.70	8.7	40.00	32	42	13	*	11.5	22
36	33.86	28	*	35.16	39.81	8.1	31.11	32	42	13	*	11.5	22
26	27.51	28	*	28.81	33.46	7.1	24.76	32	42	13	*	11.5	22
20	23.70	28	*	25.00	29.65	6.7	20.95	32	42	13	*	11.5	22
14	19.89	28	*	21.19	25.84	6.3	17.14	32	42	13	*	11.5	22
POSN	A	B	C	D	E	F	G	H	J	K	L	M	N

GENERAL TOLERANCE
 10 ≥ : ±0.2
 30 ≥ > 10: ±0.25
 100 ≥ > 30: ±0.3
 ANGLES: ±3°

ITEM	MATERIAL	FINISH
①②	STEEL t=0.5	NICKEL PL. OVER COPPER PL.
③	STAINLESS STEEL	
	THERMOPLASTIC UL94V-0	
④	G.F THERMOPLASTIC UL94V-0	COLOR:SEE ANOTHER TABLE

RECOMMENDED CABLE DIA	COLOR	POSN	P/NO.
OBSOLETE		80	3-176793-0
OBSOLETE		100	2-176793-9
OBSOLETE		68	2-176793-8
OBSOLETE		50	2-176793-7
6.4~7.9		36	2-176793-5
5.9~6.9		26	2-176793-4
5.4~6.5		20	2-176793-2
OBSOLETE	BLACK	14	2-176793-1
OBSOLETE		80	1-176793-0
9.9~11.0		100	1-176793-9
8.1~9.6		68	1-176793-8
OBSOLETE		50	1-176793-7
OBSOLETE		36	1-176793-5
5.9~6.9		26	1-176793-4
OBSOLETE		20	1-176793-2
OBSOLETE	BEIGE WHITE	14	1-176793-1

THIS DRAWING IS A CONTROLLED DOCUMENT.

DIMENSIONS: mm	TOLERANCES UNLESS OTHERWISE SPECIFIED:
	0 PLC ±
	1 PLC ±
	2 PLC ±
	3 PLC ±
	4 PLC ±
	ANGLES ±
MATERIAL SEE TABLE	FINISH SEE TABLE

DWN T.KAWAMAE 100CT00	STE TE Connectivity
CHK H.MURAMATSU 110CT00	
APVD H.MURAMATSU 110CT00	
PRODUCT SPEC	
APPLICATION SPEC 108-5288	NAME SHIELD CASE KIT WITHOUT LOGO
WEIGHT 114-5166	CHAMP.050 SERIES II STD-TYPE
CUSTOMER DRAWING	SIZE A3 CAGE CODE 00779 DRAWING NO C-176793 RESTRICTED TO
SCALE 1:1	SHEET 1 OF 1 REV G1

Mouser Electronics

Authorized Distributor

Click to View Pricing, Inventory, Delivery & Lifecycle Information:

[TE Connectivity:](#)

[176793-4](#)