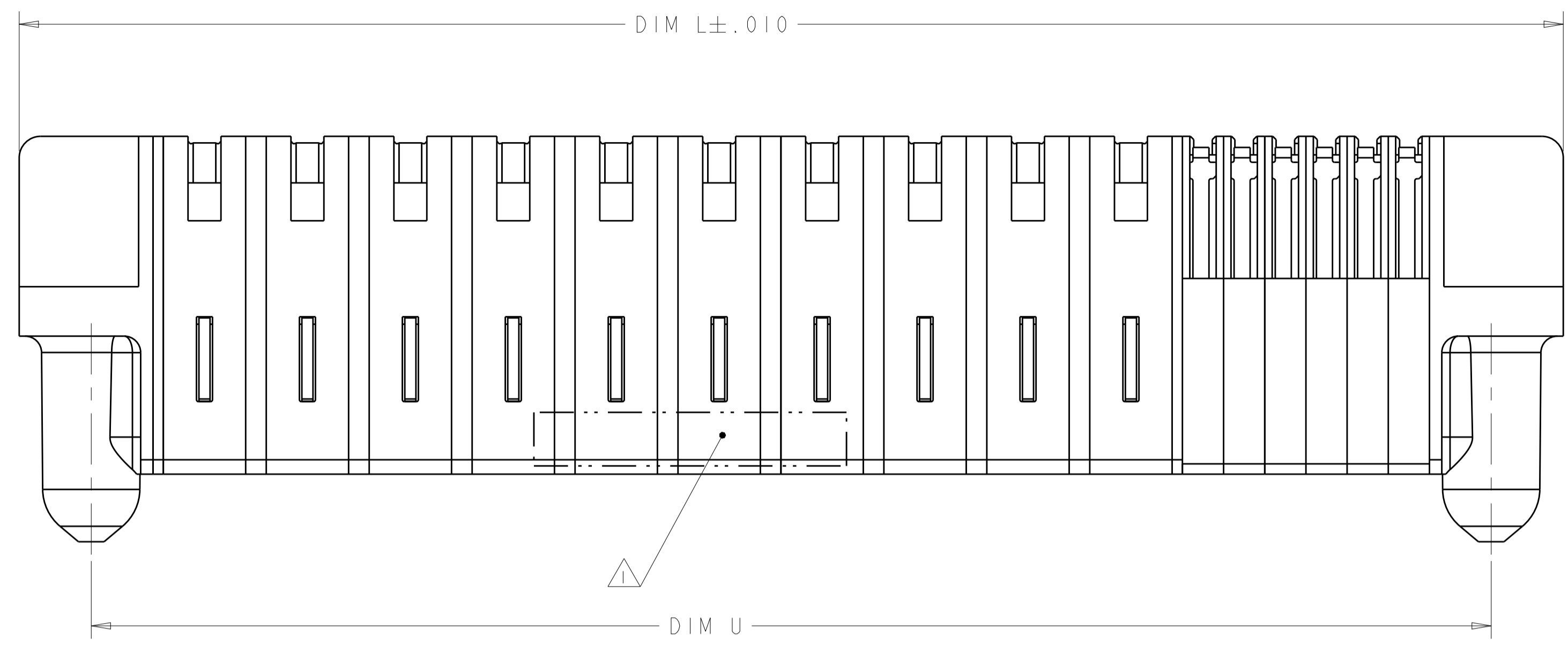
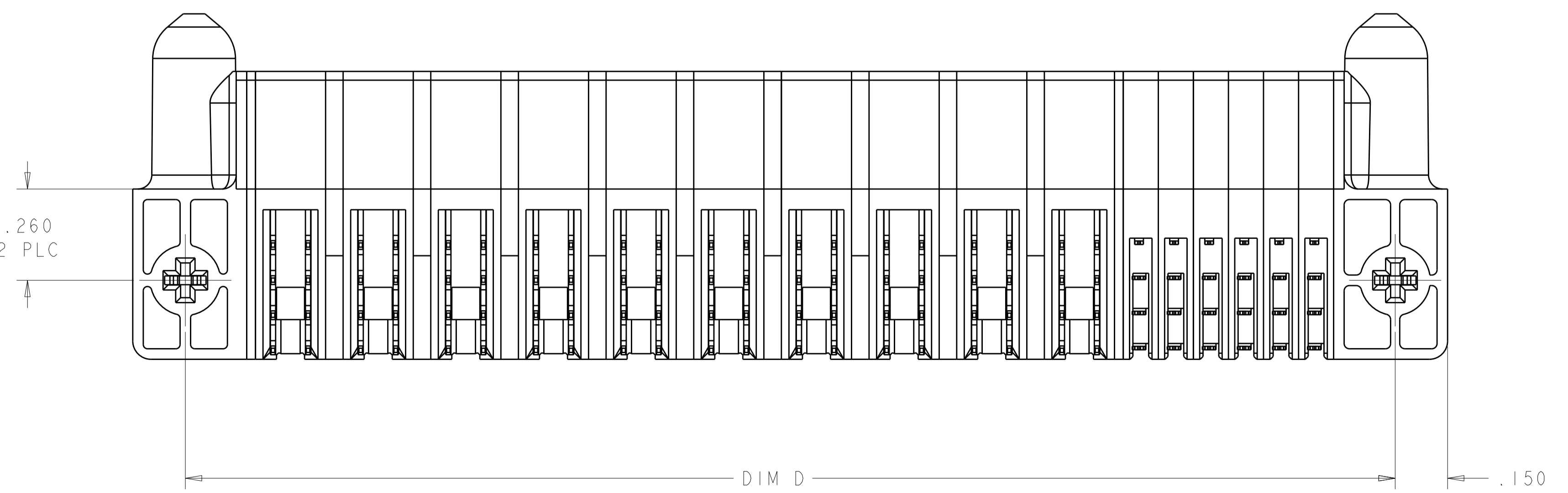
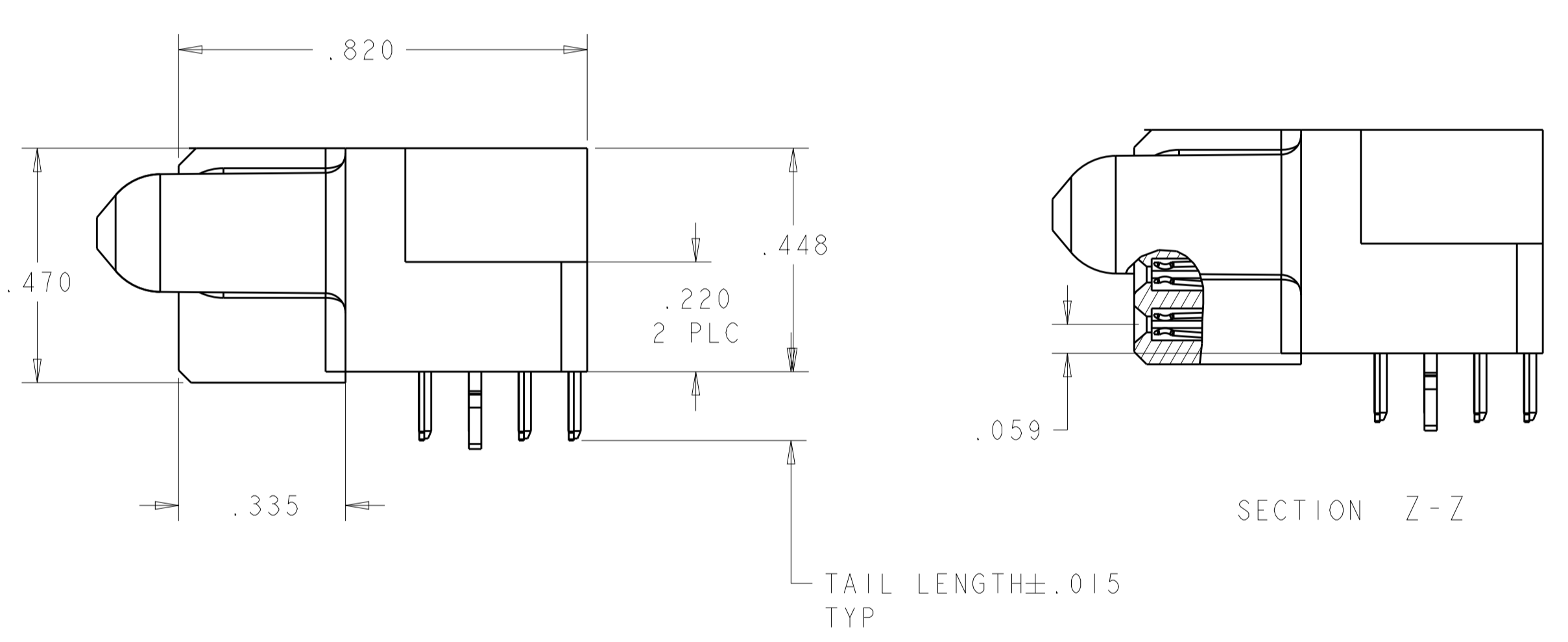
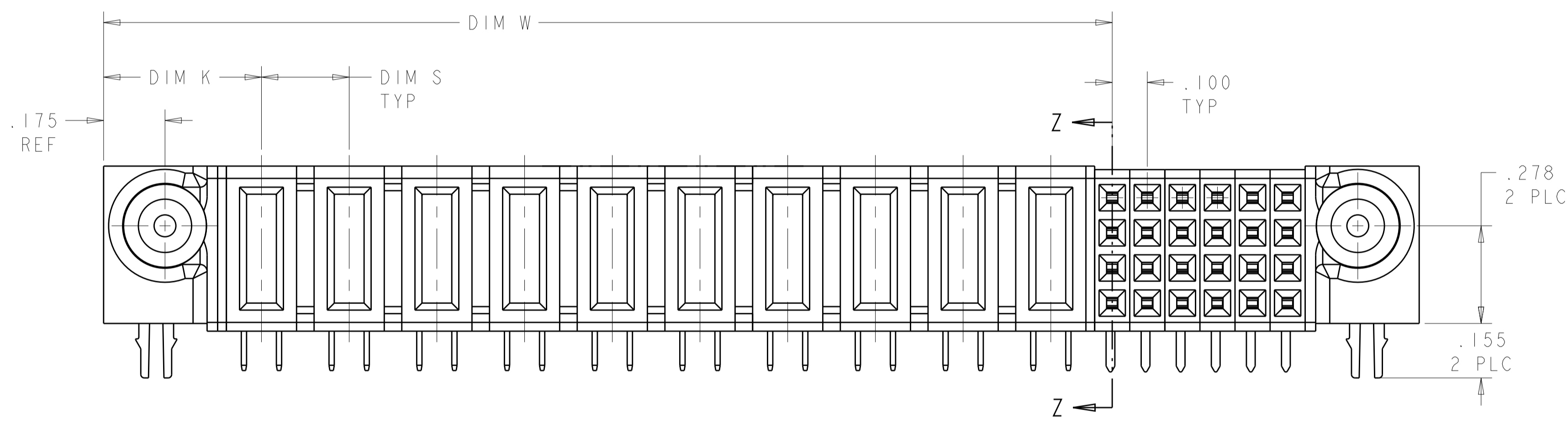


LOC	DIST	REVISIONS					
		P	LTN	DESCRIPTION	DATE	DMN	APVD
ES	00	D5		REV PER ECR-12-018919	31OCT2012	ML	SZ
		D6		UPDATED	12NOV2012	ML	SZ
		D7		REV PER ECR-13-006264	15APR2013	CZ	SZ



- 1 "AMP", PART NUMBER, AND DATE CODE TO BE MARKED IN AREA SHOWN.
- 2 MATERIAL: HOUSING - GLASS FILLED HIGH TEMP THERMO PLASTIC, UL94 V-0
 SIGNAL CONTACT - HIGH CONDUCTIVITY COPPER ALLOY
 POWER CONTACT - HIGH CONDUCTIVITY COPPER ALLOY
- 3 CONTACT PLATING: NOBLE METAL PLATING ON CONTACT FUNCTIONAL AREA OF POWER AND SIGNAL CONTACTS.
- 4 MECHANICAL CONNECTOR KEEP OUT ZONE.
- 5 DATUM AND BASIC DIMENSIONS ESTABLISHED BY CUSTOMER.
- 6 PCB - ALL HOLE DIAMETERS ARE FINISHED HOLE SIZES.
- 7 PCB - .0453 +/- .0010 DRILLED HOLES PLATED WITH .0003 MIN Sn OVER .001 TO .003 PLATING TO ACHIEVE A .040 DIA. HOLE.
- 8 RECEPTACLE ASSY HAS ONE MOUNTING HOLE AND ONE HOLD DOWN.
- 9 NOT RELEASED FOR PRODUCTION.



2.400	.250	1.875	2.450	-	2.750	.450	24S + 6P	I-6450161-7
1.600	.250	1.375	1.650	-	1.950	.450	12S + 4P	I-6450161-6
1.600	.250	1.375	1.650	-	1.950	.450	12S + 4P	I-6450161-5
1.700	.250	1.375	1.750	-	2.050	.450	16S + 4P	I-6450161-3
3.800	.250	2.875	3.850	-	4.150	.450	40S + 10P	I-6450161-1
1.800	.250	1.375	1.850	-	2.150	.450	20S + 4P	I-6450161-0
1.400	.250	1.375	1.450	-	1.750	.450	4S + 4P	6450161-7
2.900	.250	2.375	2.950	-	3.250	.450	24S + 8P	6450161-6
1.800	.250	1.375	1.850	-	2.150	.450	20S + 4P	6450161-5
4.400	.250	3.875	4.450	-	4.750	.450	24S + 14P	6450161-4
3.400	.250	2.875	3.450	-	3.750	.450	24S + 10P	6450161-3
2.400	.250	1.875	2.450	-	2.750	.450	24S + 6P	6450161-2
1.700	.250	1.375	1.750	-	2.050	.450	16S + 4P	6450161-1
DIM U	DIM S	DIM W	DIM D	DIM M	DIM L	DIM K	DESCRIPTION	PART NUMBER

THIS DRAWING IS A CONTROLLED DOCUMENT. DWN: R. GRZYBOWSKI, ZIFEB05
 CHK: M. PERCZERKE, ZIFEB05
 APVD: M. PERCZERKE

DIMENSIONS: INCHES. TOLERANCES UNLESS OTHERWISE SPECIFIED:
 0 PLC ±.01
 1 PLC ±.01
 2 PLC ±.01
 3 PLC ±.005
 4 PLC ±.002
 ANGLES ±.0020

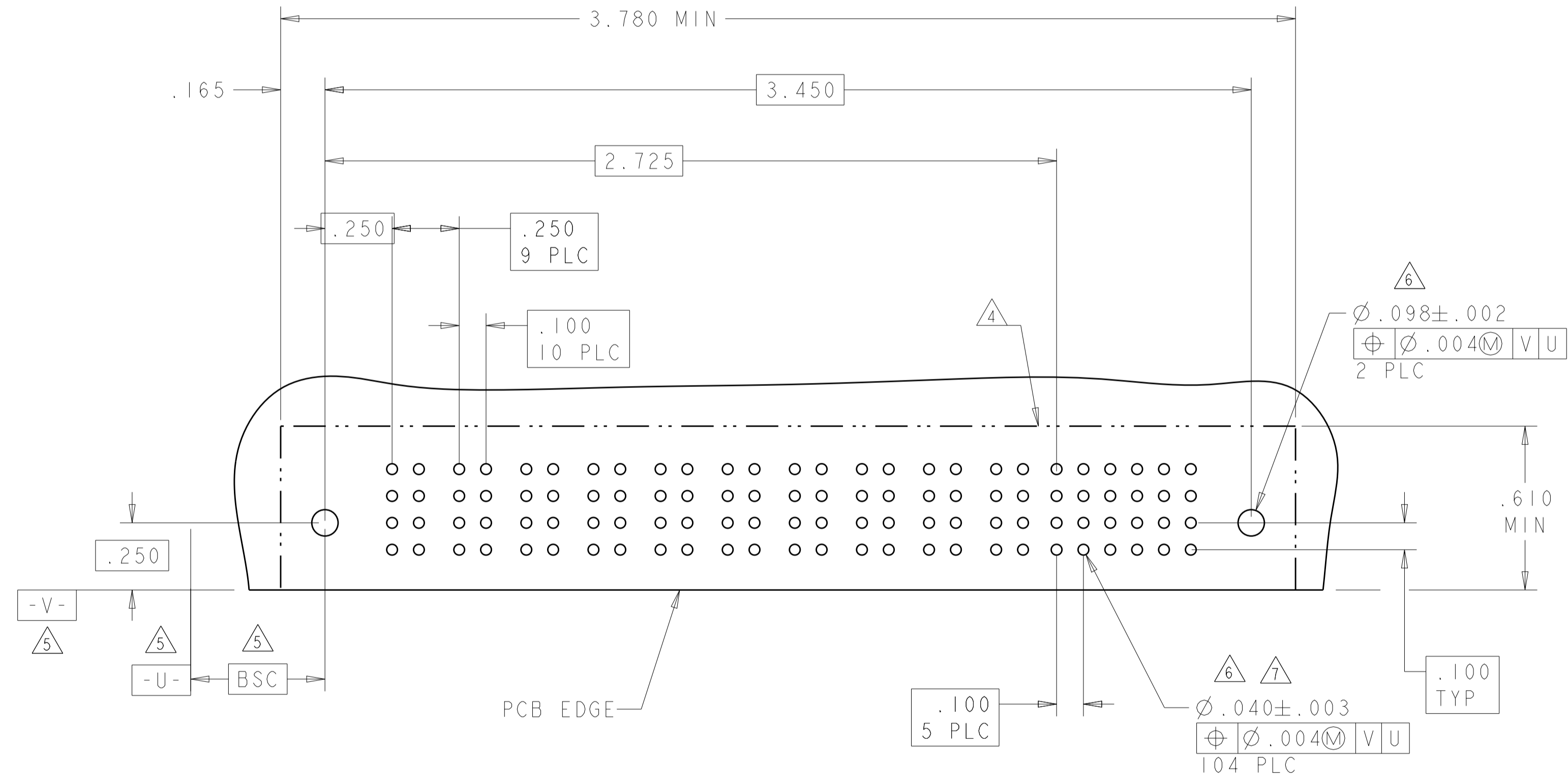
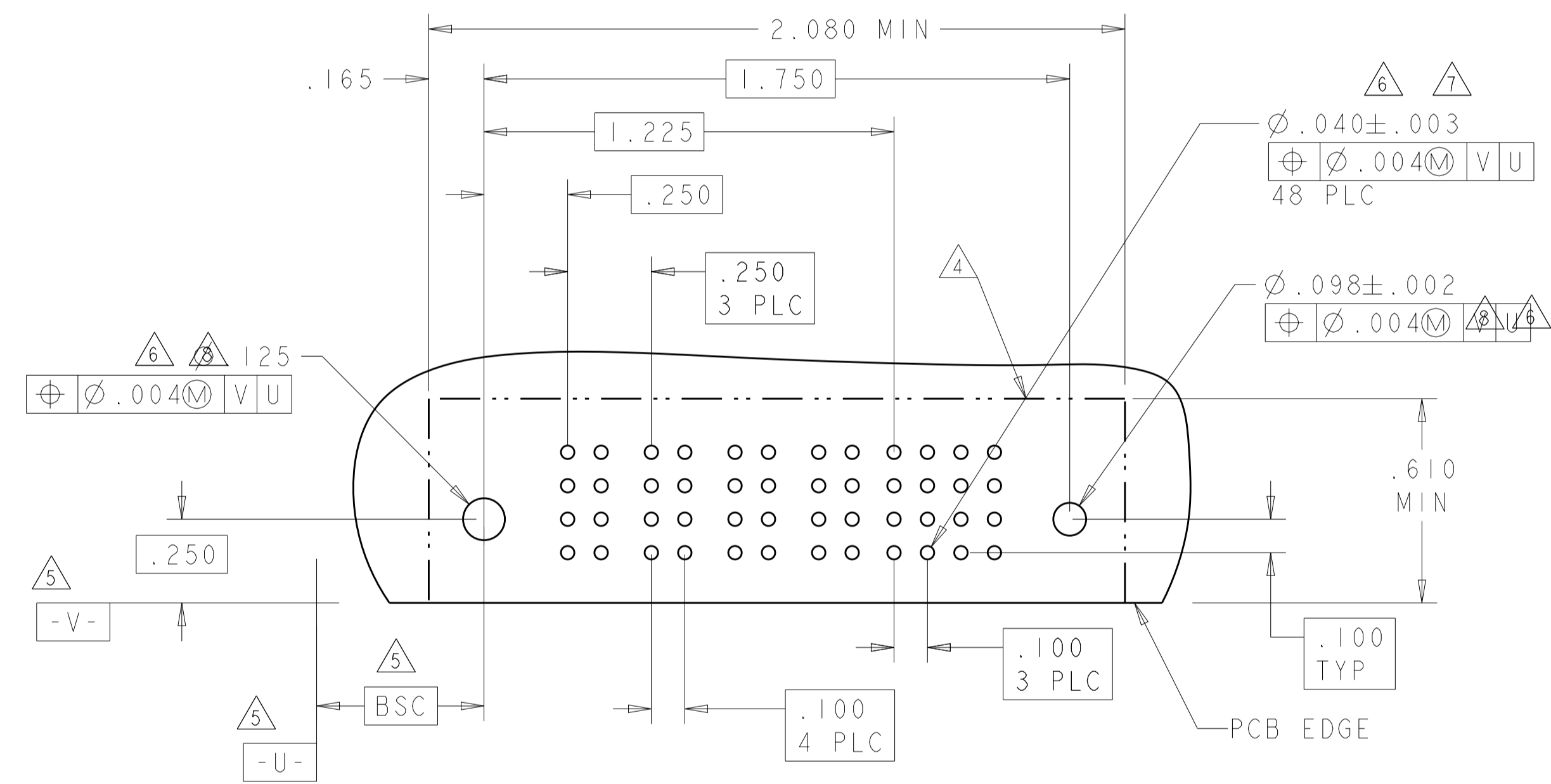
MATERIAL: FINISH: CUSTOMER DRAWING

NAME: RIGHT ANGLE RECEPTACLE ASSEMBLY WITH GUIDES, END MODULES MULTI-BEAM XL
 PRODUCT SPEC: 108-1973
 APPLICATION SPEC: 114-13038
 WEIGHT: SIZE: CAGE CODE: DRAWING NO: A100779C=6450161
 SCALE: 4:1 SHEET 1 OF 6 REV D7

LOC	DIST	REV	DATE	BY	APPD
ES	00				
		DESCRIPTION	DATE	BY	APPD
		SEE SHEET 1			

PART NUMBER	ROWS	POWER				SIGNAL				HD
		P4	P3	P2	P1	4	3	2	1	
6450161-1	D	RA	RA	RA	RA	H	H	H	H	HD
	C					G	G	G	G	
	B					F	F	F	F	
	A					E	E	E	E	
16S + 4P										

PART NUMBER	ROWS	POWER										SIGNAL					HD										
		P10	P9	P8	P7	P6	P5	P4	P3	P2	P1	6	5	4	3	2		1									
6450161-3	D	RA	RA	RA	RA	RA	RA	RA	RA	RA	RA	RA	RA	RA	RA	RA	RA	RA	RA	RA	HD						
	C																					H	H	H	H	H	H
	B																					G	G	G	G	G	G
	A																					F	F	F	F	F	F
24S + 10P																											



CODE	TAIL LENGTH	DESCRIPTION	CODE	TAIL LENGTH	ROW
RM	.135	STD	L	.090	D
RA	.135	MFBL	K	.090	C
RN	.090	STD	J	.090	B
RB	.090	MFBL	I	.090	A
			H	.135	D
			G	.135	C
			F	.135	B
			E	.135	A

THIS DRAWING IS A CONTROLLED DOCUMENT. DIMENSIONS: INCHES. TOLERANCES UNLESS OTHERWISE SPECIFIED: 0 PLC ±.01, 1 PLC ±.01, 2 PLC ±.01, 3 PLC ±.005, 4 PLC ±.0020, ANGLES ±.020. MATERIAL: FINISH: CUSTOMER DRAWING.

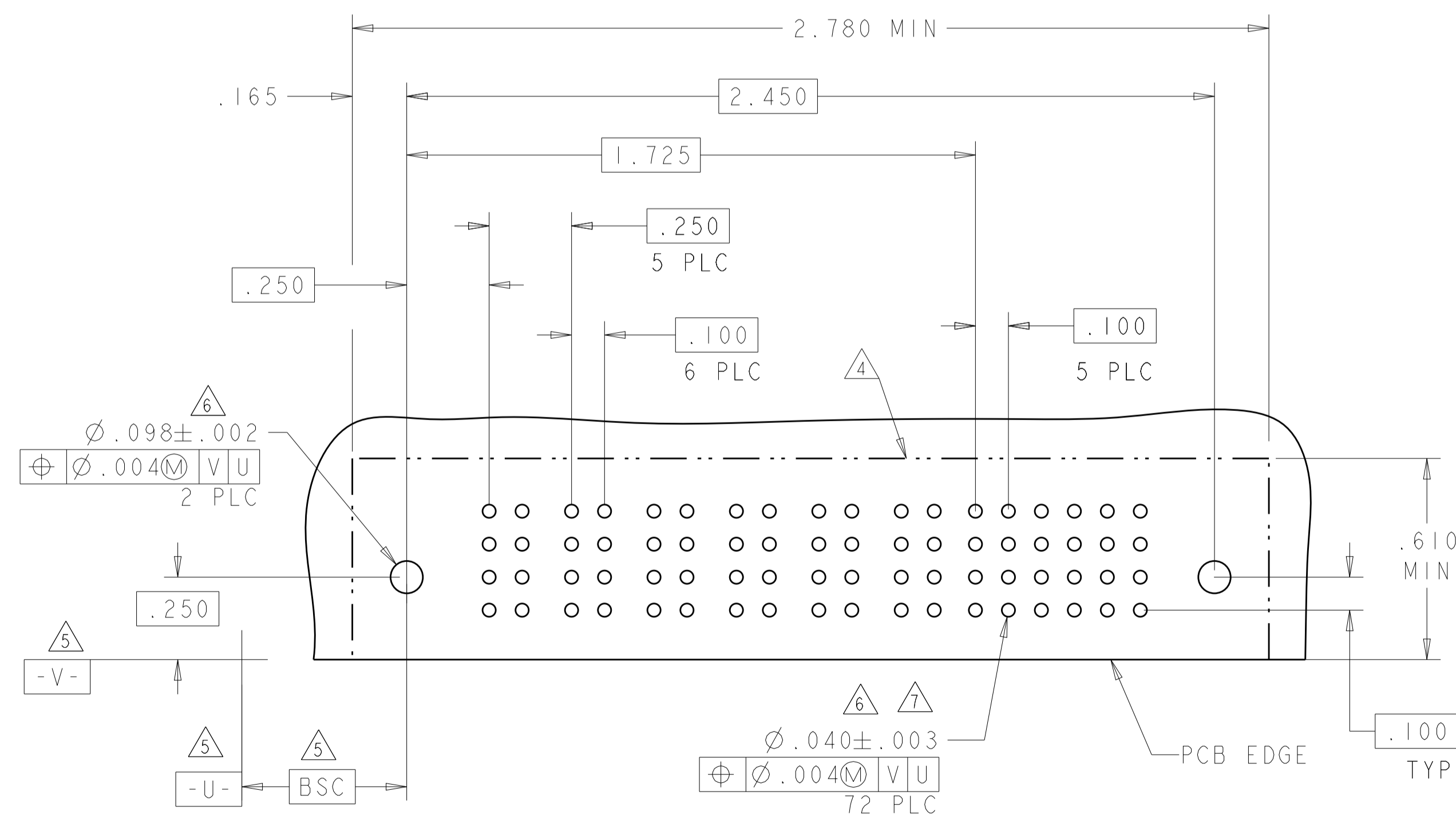
OWN: R. GRZYBOWSKI, 21FEB05. CHK: M. PERCERKE, 21FEB05. APVD: M. PERCERKE. NAME: M. PERCERKE. PRODUCT SPEC: 108-1973. APPLICATION SPEC: 114-13038. WEIGHT: A100779. SCALE: 4:1. SHEET 2 OF 6. REV: 7.

STE TE Connectivity. RIGHT ANGLE RECEPTACLE ASSEMBLY WITH GUIDES, END MODULES MULTI-BEAM XL. SIZE: CAGE CODE: DRAWING NO: 6450161. RESTRICTED TO: 100779.

PART NUMBER	ROWS	POWER						SIGNAL																							
		P6	P5	P4	P3	P2	P1	6	5	4	3	2	1																		
		6450161-2	D C B A	RA	RA	RA	RA	RA	RA	H	H	H	H	H	H	G	G	G	G	G	G	F	F	F	F	F	F	E	E	E	E
24S + 6P																															

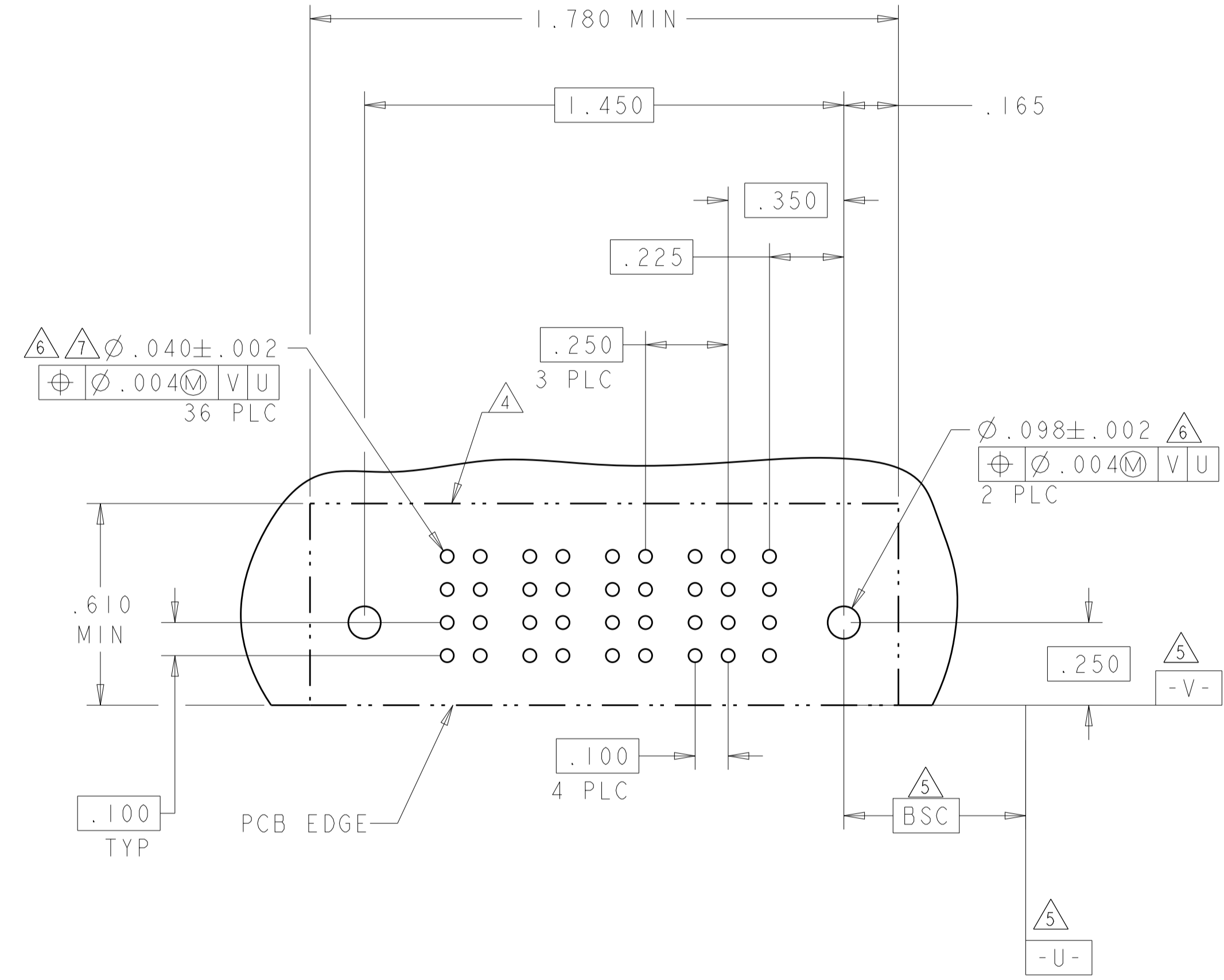
PART NUMBER	ROWS	POWER						SIGNAL																							
		P6	P5	P4	P3	P2	P1	6	5	4	3	2	1																		
		1-6450161-7	D C B A		RA	RA	RA	RA		H	H	H	H	H	H	G	G	G	G	G	G	F	F	F	F	F	F	E	E	E	E
24S + 6P																															

NO CONTACTS LOADED



PCB LAYOUT FOR PART NUMBER: 6450161-2, 1-6450161-7

PART NUMBER	ROWS	POWER				SIGNAL			
		P4	P3	P2	P1	I	I		
6450161-7	D C B A	RM	RM	RM	RM	H			
4S + 4P						G			
						F			
						E			



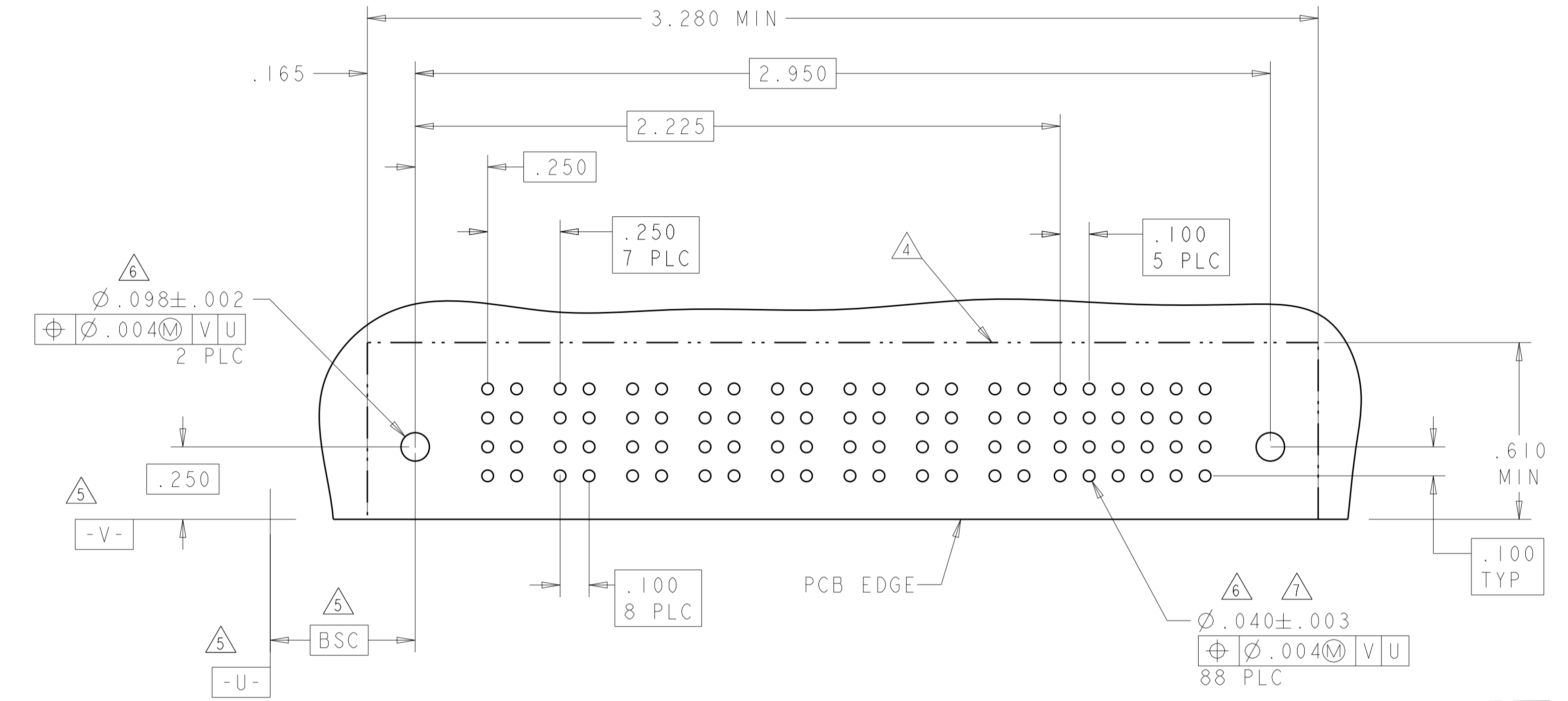
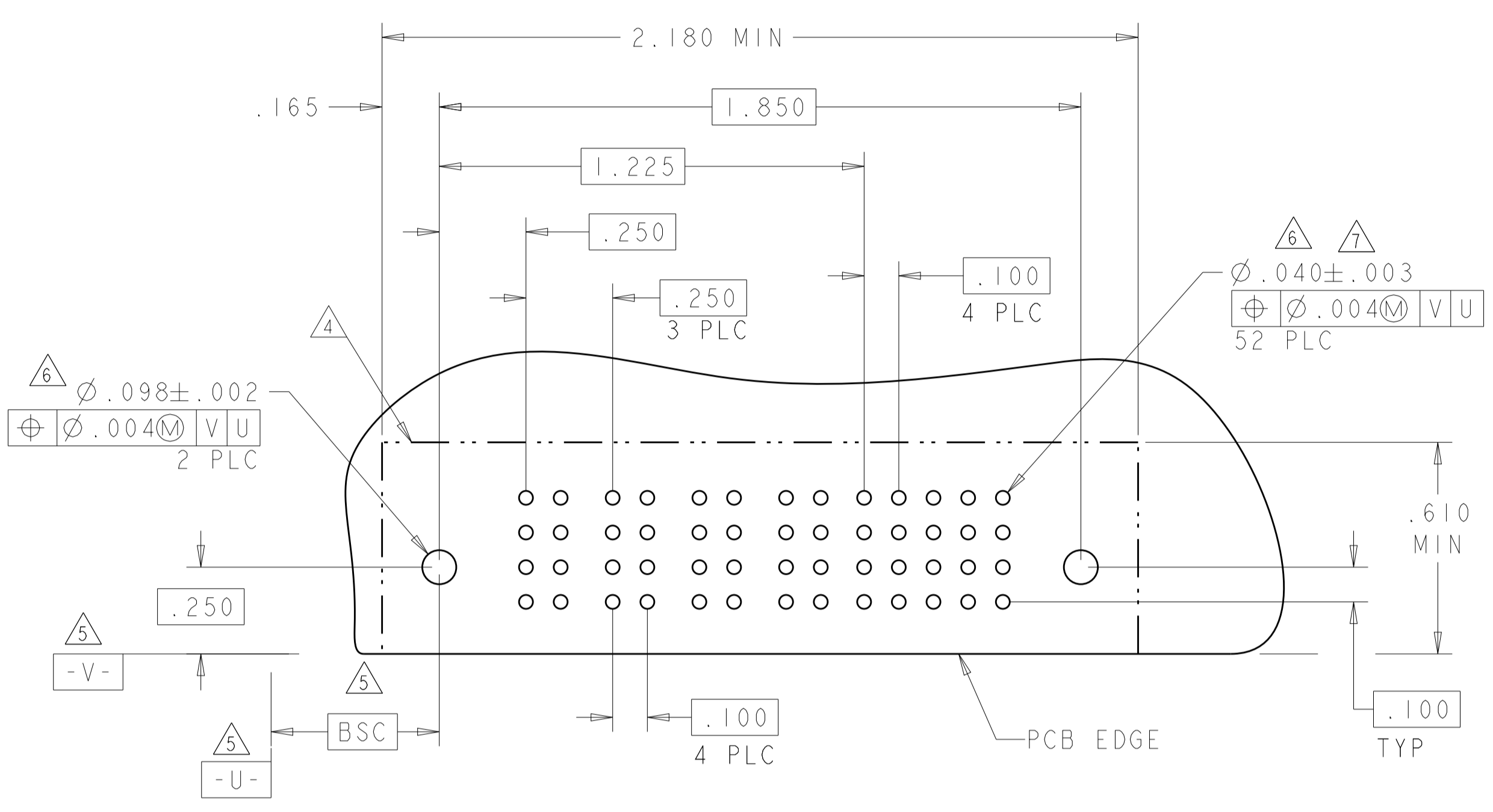
THIS DRAWING IS A CONTROLLED DOCUMENT.		DWN	
DIMENSIONS:		CHK	
TOLERANCES UNLESS OTHERWISE SPECIFIED:		APVD	NAME
0 PLC	±	PRODUCT SPEC	
1 PLC	±	APPLICATION SPEC	
2 PLC	±	WEIGHT	
3 PLC	±	SCALE	
4 PLC	±	SHEET	
ANGLES	±	OF	
MATERIAL	FINISH	REV	

PART NUMBER	ROWS	POWER				SIGNAL				
		P4	P3	P2	P1	5	4	3	2	1
6450161-5	D C B A	RA	RA	RA	RA	H	H	H	H	H
						G	G	G	G	G
						F	F	F	F	F
						E	E	E	E	E

20S + 4P

PART NUMBER	ROWS	POWER								SIGNAL					
		P8	P7	P6	P5	P4	P3	P2	P1	6	5	4	3	2	1
6450161-6	D C B A	RA	RA	RA	RA	RA	RA	RA	RA	H	H	H	H	H	H
										G	G	G	G	G	G
										F	F	F	F	F	F
										E	E	E	E	E	E

24S + 8P

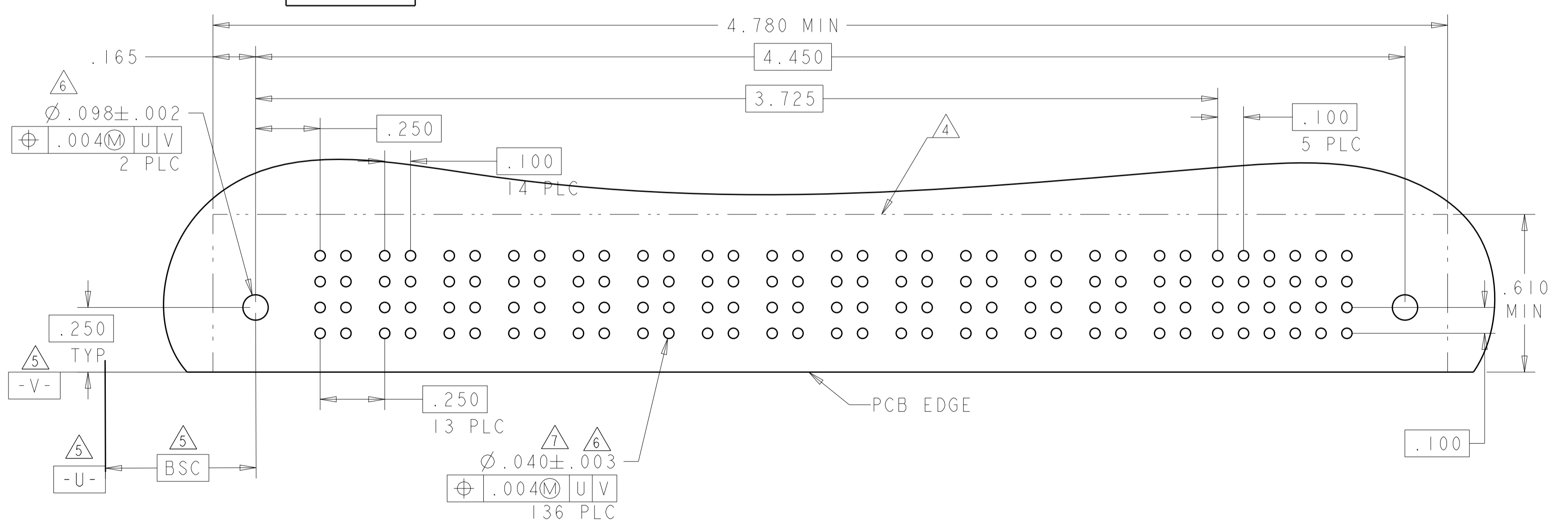
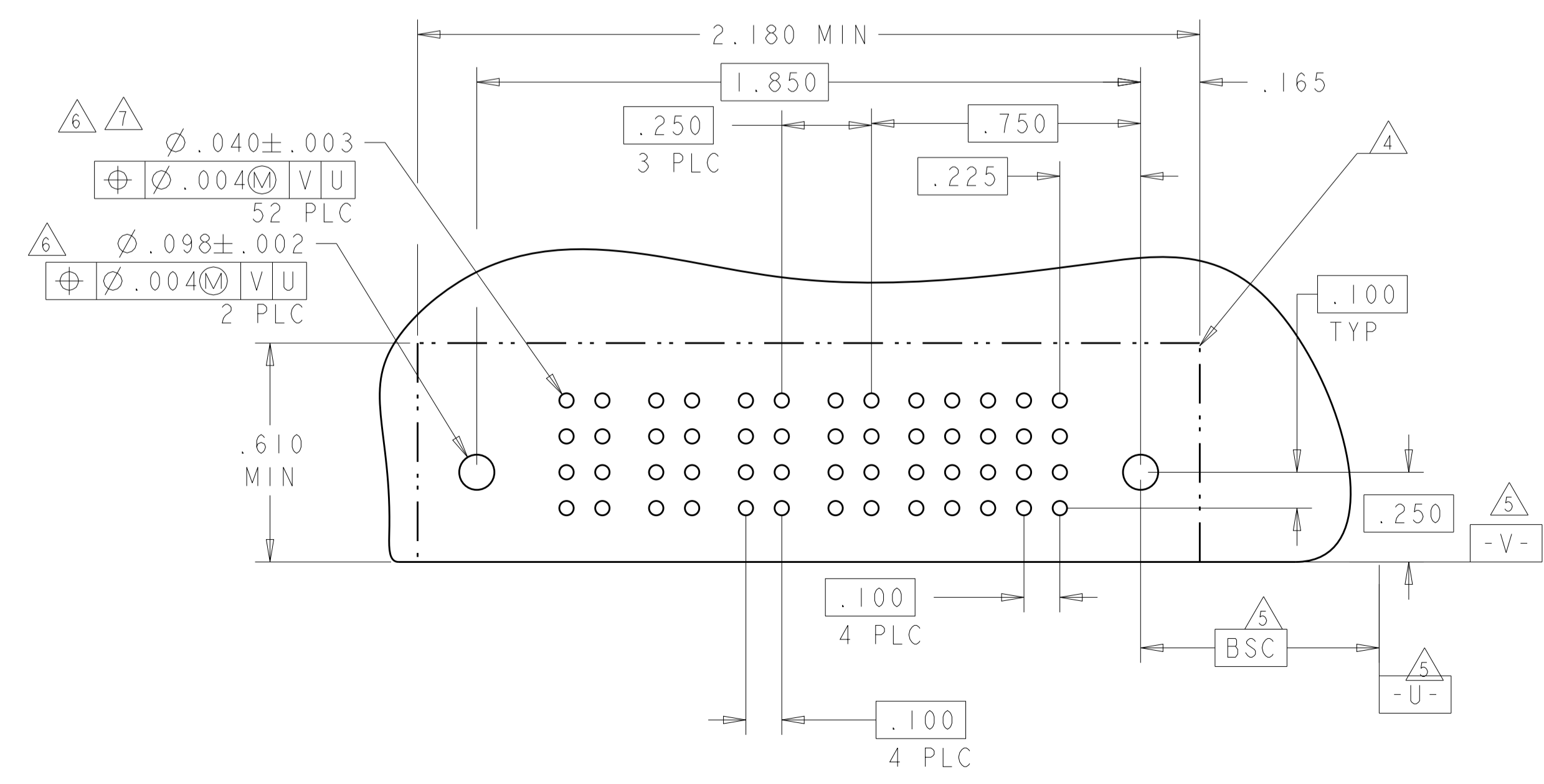


PART NUMBER	ROWS	POWER				SIGNAL				
		P4	P3	P2	P1	5	4	3	2	1
1-6450161-0	D C B A	RM	RM	RM	RM	H	H	H	H	H
						G	G	G	G	G
						F	F	F	F	F
						E	E	E	E	E

20S + 4P

PART NUMBER	ROWS	POWER										SIGNAL								
		P14	P13	P12	P11	P10	P9	P8	P7	P6	P5	P4	P3	P2	P1	6	5	4	3	2
6450161-4	D C B A	RA	RA	RA	RA	RA	RA	RA	RA	RA	RA	RA	RA	RA	H	H	H	H	H	H
															G	G	G	G	G	G
															F	F	F	F	F	F
															E	E	E	E	E	E

24S + 14P

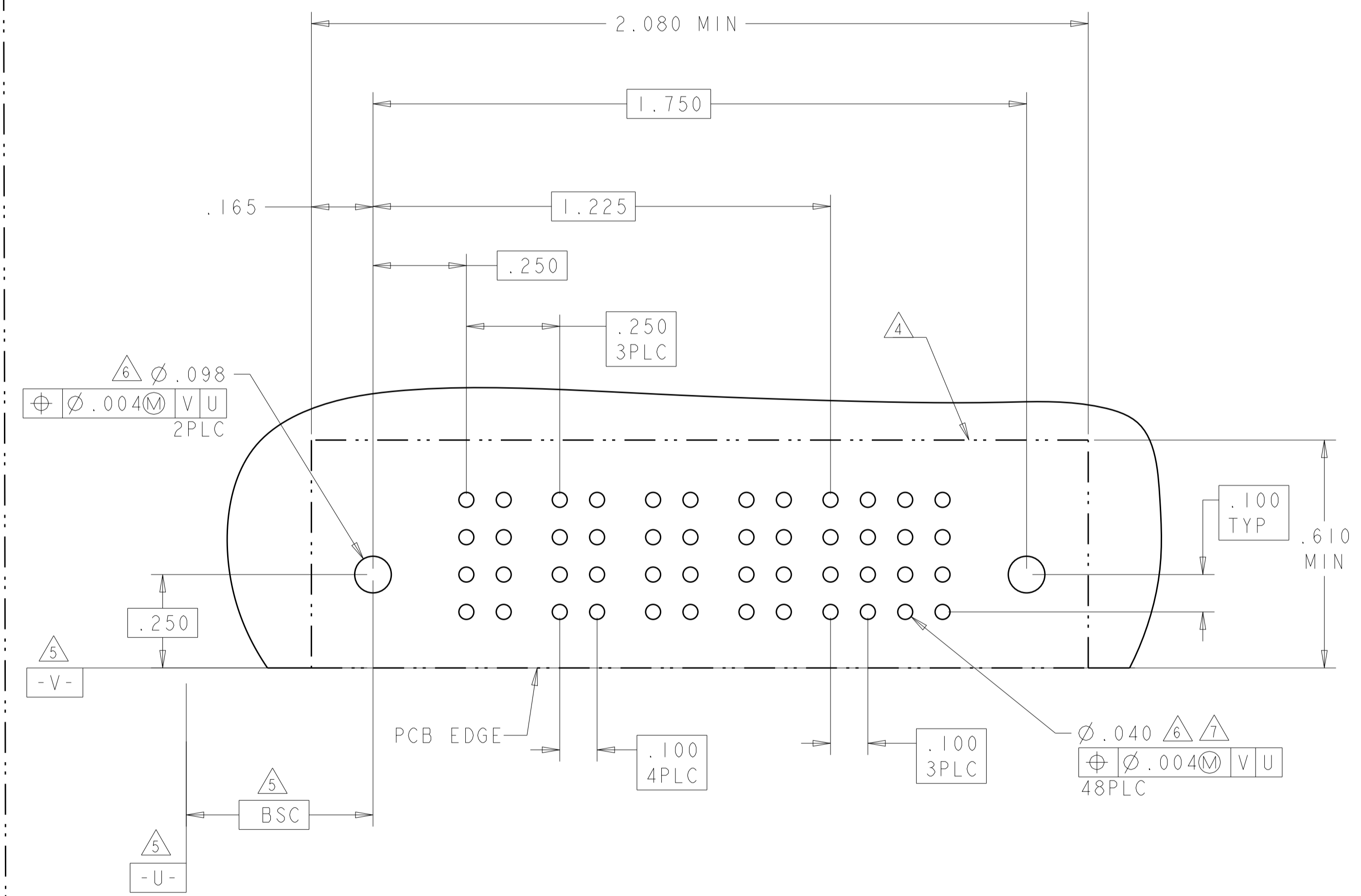
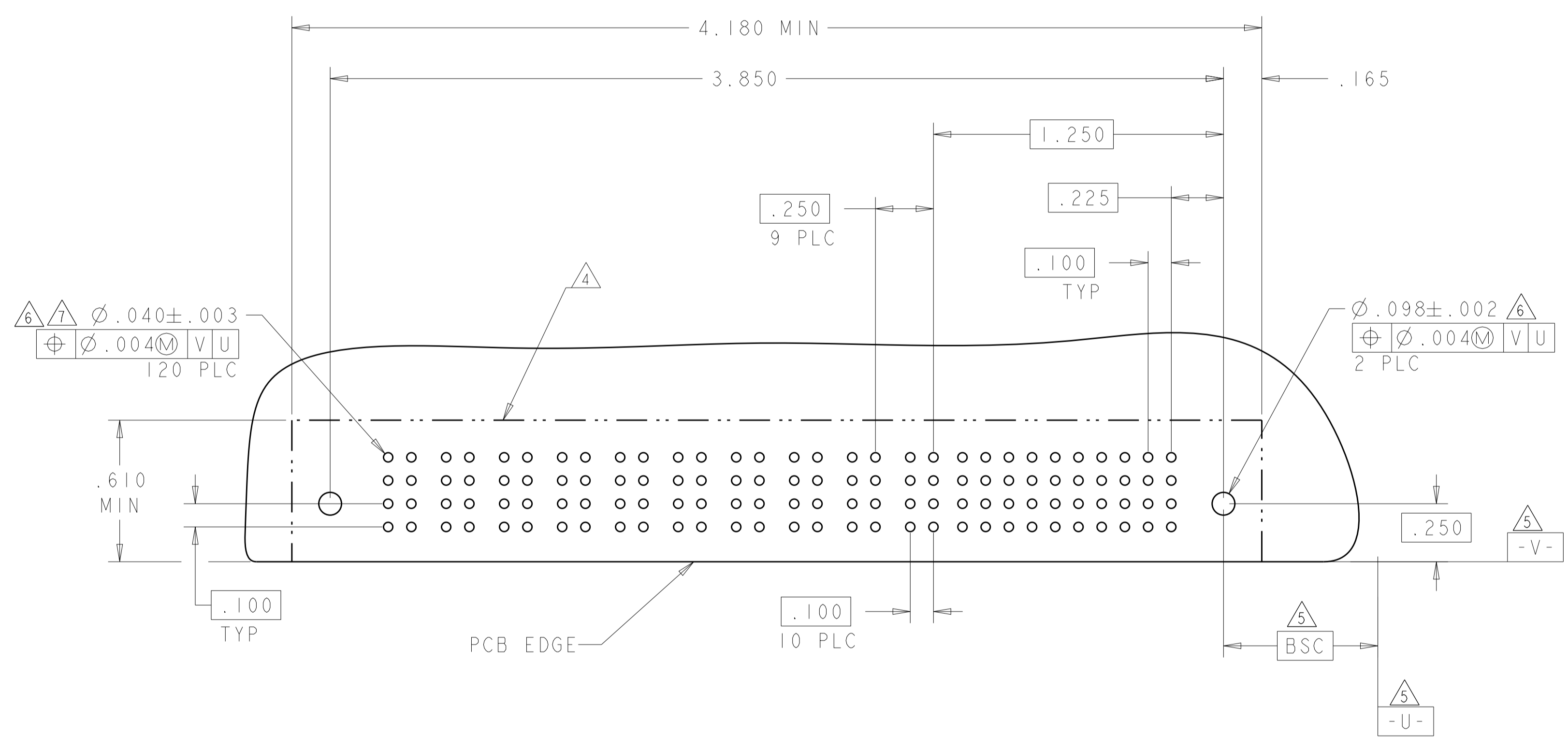


THIS DRAWING IS A CONTROLLED DOCUMENT.		OWN: R. GRZYBOWSKI 21FEB05	STE TE Connectivity
DIMENSIONS: INCHES		CHK: M. PERCERKE	
TOLERANCES UNLESS OTHERWISE SPECIFIED:		APVD: M. PERCERKE	RIGHT ANGLE RECEPTACLE ASSEMBLY WITH GUIDES, END MODULES MULTI-BEAM XL
0 PLC ± .01		NAME	
1 PLC ± .01		PRODUCT SPEC	
2 PLC ± .01		APPLICATION SPEC	
3 PLC ± .005		108-1973	SIZE: CAGE CODE DRAWING NO. RESTRICTED TO
4 PLC ± .002		114-13038	
ANGLES ± .002		WEIGHT	A100779C=6450161
MATERIAL		FINISH	CUSTOMER DRAWING
		SCALE: 4:1	SHEET 4 OF 6 REV 07

LOC	DIST	REVISIONS			
ES	00	REV	DATE	BY	APPV
		-	-	-	-
		SEE SHEET 1			

PART NUMBER	ROWS	POWER										SIGNAL									
		P10	P9	P8	P7	P6	P5	P4	P3	P2	P1	I10	I9	I8	I7	I6	I5	I4	I3	I2	I1
1-6450161-1	D C B A	RM										H G F E									
		RM										H									
		RM										G									
		RM										F									
40S + 10P		RM										E									

PART NUMBER	ROWS	POWER				SIGNAL			
		P4	P3	P2	P1	4	3	2	1
1-6450161-3	D C B A	RA				H G F E			
		RA				H			
		RA				G			
		RA				F			
16S + 4P		RA				E			



THIS DRAWING IS A CONTROLLED DOCUMENT.

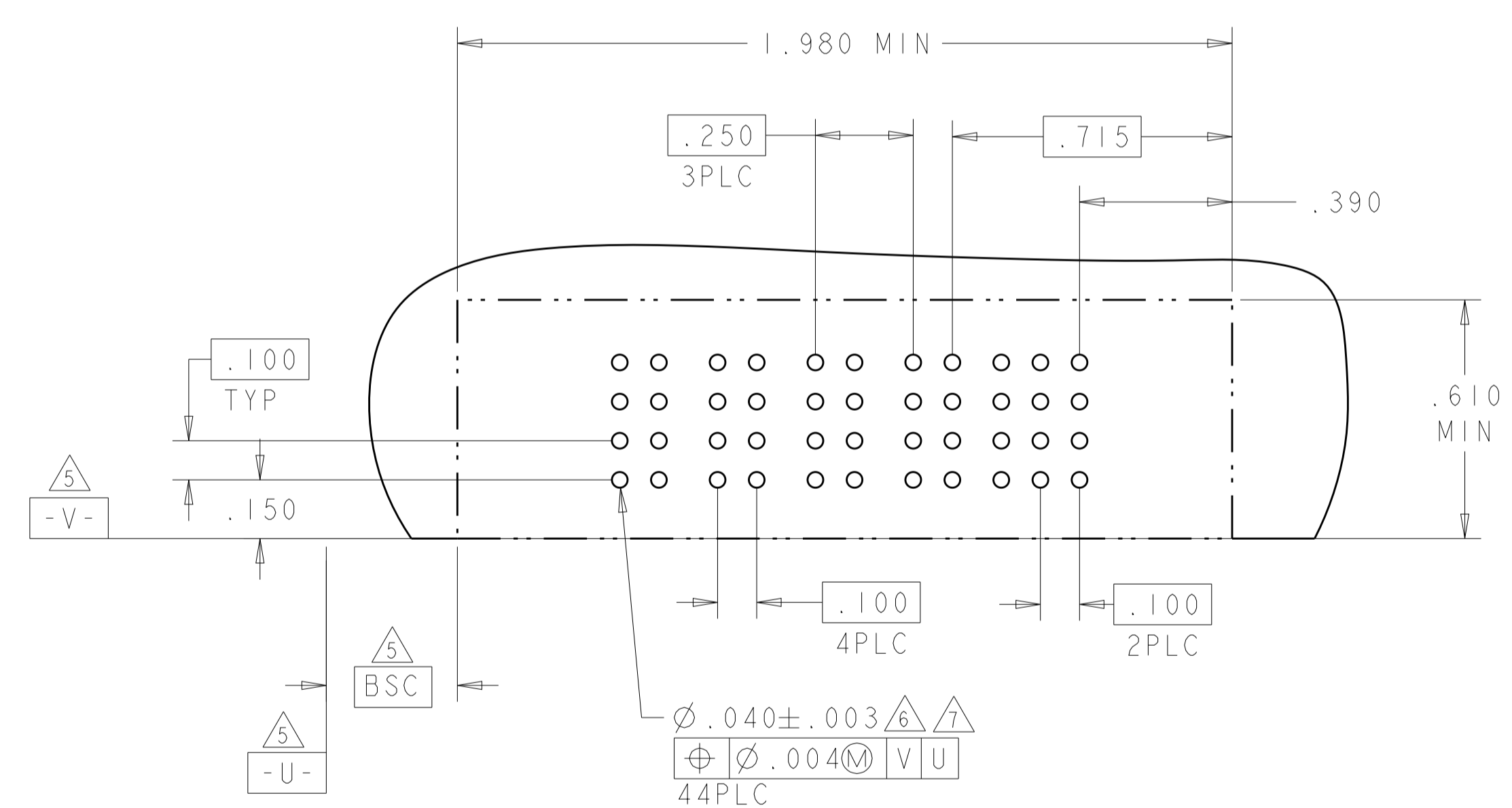
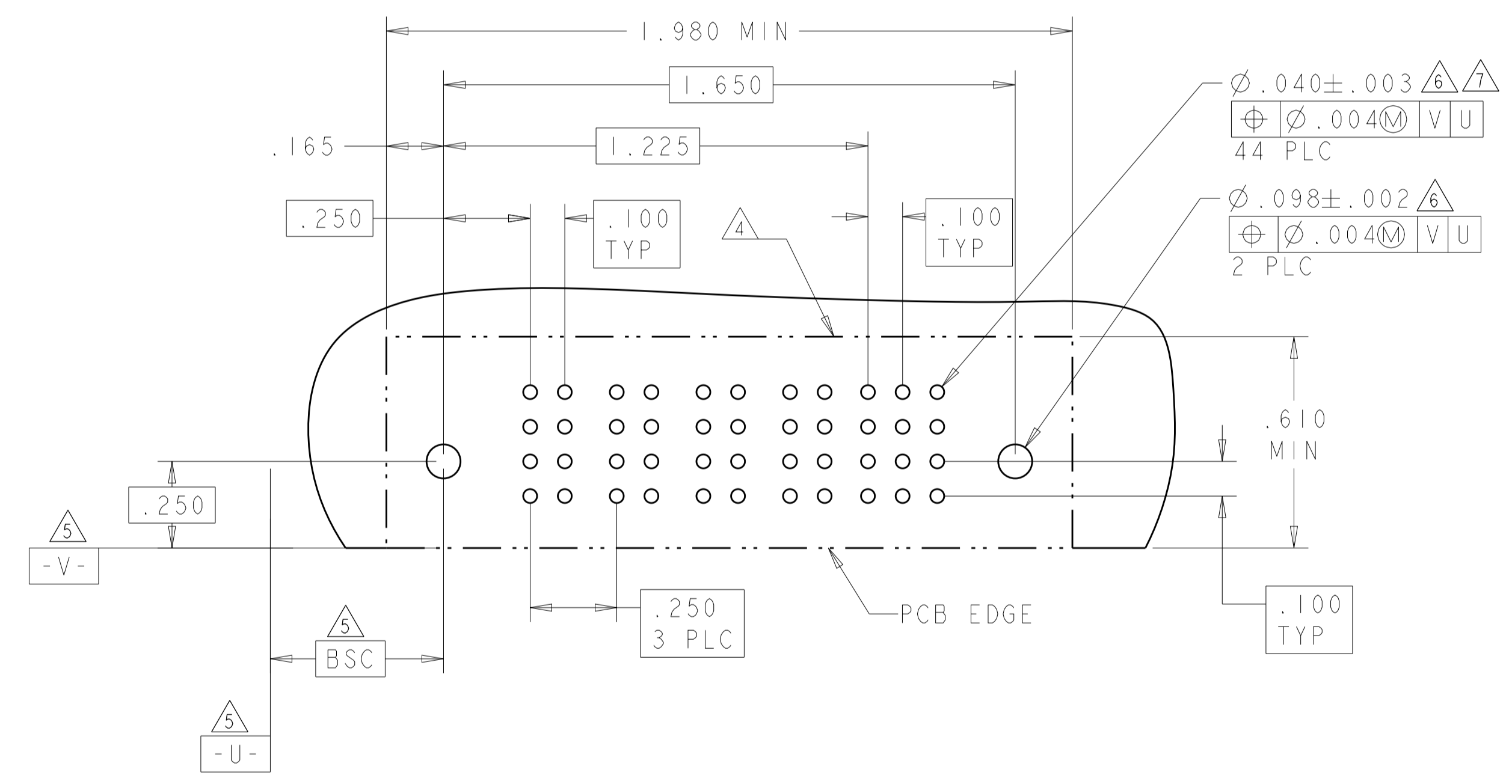
DIMENSIONS:	TOLERANCES UNLESS OTHERWISE SPECIFIED:	OWN: R. GRZYBOWSKI	21FEB05	 TE Connectivity
INCHES	0 PLC ± 1 PLC ±.01 2 PLC ±.01 3 PLC ±.005 4 PLC ±.0020 ANGLES ±.0020	CHK: M. PERCERKE	21FEB05	
MATERIAL:	FINISH:	APVD: M. PERCERKE	NAME:	RIGHT ANGLE RECEPTACLE ASSEMBLY WITH GUIDES, END MODULES MULTI-BEAM XL
		PRODUCT SPEC: 108-1973	APPLICATION SPEC: 114-13038	RESTRICTED TO:
		WEIGHT:	SIZE: A1	CAGE CODE: 6450161
		CUSTOMER DRAWING	SCALE: 4:1	SHEET 5 OF 6

REV: 7

LOC		DIST		REVISIONS			
P	LTN	DESCRIPTION	DATE	DMN	APVD		
-	-	SEE SHEET 1	-	-	-	-	-

PART NUMBER	ROWS	POWER				SIGNAL		
		P4	P3	P2	P1	3	2	1
I-6450161-5	D	RM	RM	RM	RM	H	H	H
	C					G	G	G
	B					F	F	F
	A					E	E	E
12S + 4P		HD						HD

PART NUMBER	ROWS	POWER				SIGNAL		
		P4	P3	P2	P1	3	2	1
I-6450161-6	D	RM	RM	RM	RM	H	H	H
	C					G	G	G
	B					F	F	F
	A					E	E	E
12S + 4P								



THIS DRAWING IS A CONTROLLED DOCUMENT.		DMN: R. GRZYBOWSKI 21FEB05	TE Connectivity
DIMENSIONS: INCHES		CHK: M. PERCERKE 21FEB05	
TOLERANCES UNLESS OTHERWISE SPECIFIED:		APVD: M. PERCERKE	NAME: RIGHT ANGLE RECEPTACLE ASSEMBLY WITH GUIDES, END MODULES MULTI-BEAM XL
0 PLC ±. 1 PLC ±.01 2 PLC ±.01 3 PLC ±.005 4 PLC ±.0020 ANGLES ±.020		PRODUCT SPEC: 108-1973	SIZE: 114-13038
MATERIAL: -		APPLICATION SPEC: 114-13038	RESTRICTED TO: -
FINISH: -		WEIGHT: -	SCALE: 4:1
CUSTOMER DRAWING		SIZE: A1	SHEET 6 OF 6
		CAGE CODE: 6450161	REV: 7

Mouser Electronics

Authorized Distributor

Click to View Pricing, Inventory, Delivery & Lifecycle Information:

[TE Connectivity:](#)

[6450161-2](#)