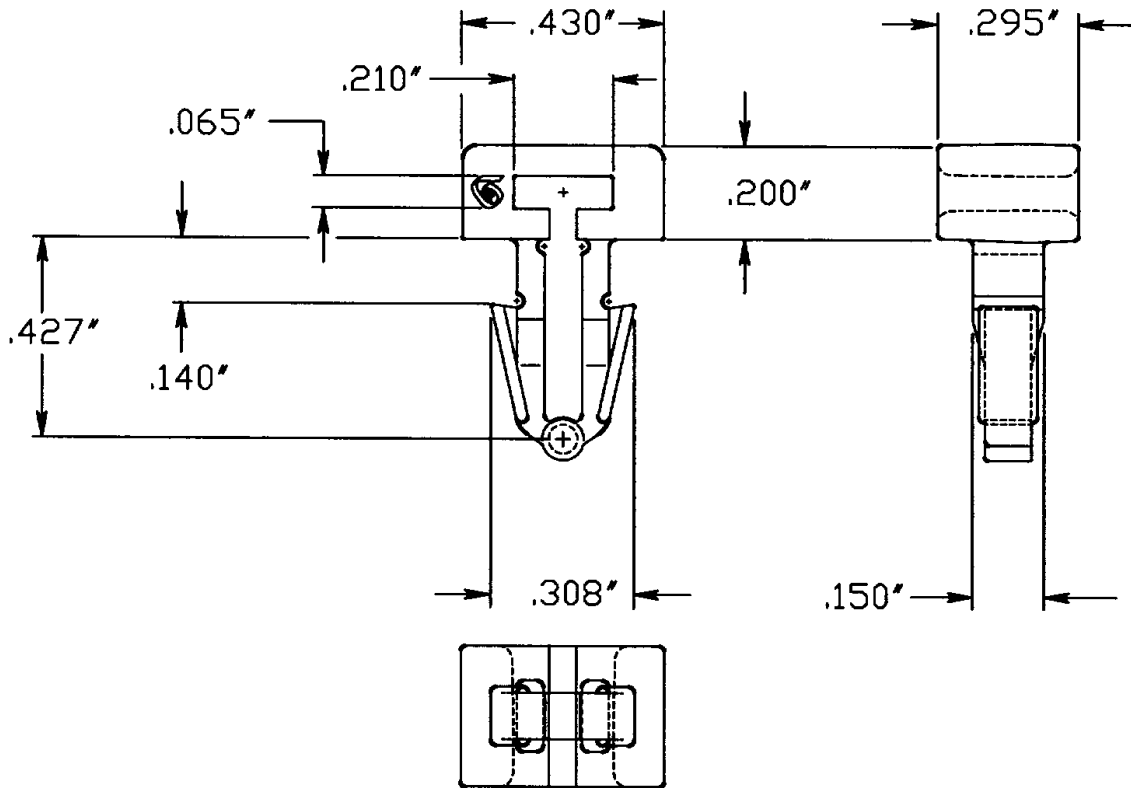


EVERY DENNISON MARKETING SPECIFICATION



NOT TO SCALE

TOLERANCES: ± 0.030 INCHES

ACCEPTS: MINIATURE, INTERMEDIATE AND STANDARD SIZED CABLE TIES.

MATERIAL:	NYLON 66 - NATURAL
WEIGHT:	.018 oz. / .50 grams
UL RECOGNIZED:	FILE NO. E57800
MOUNTING:	1/4" HOLE SIZE 1/8" MAXIMUM PANEL THICKNESS
PACKAGED IN:	100 PER BAG/10 BAGS PER BOX



FASTENER DIVISION
FITCHBURG, MA 01420 U.S.A.
TEL. 1-800-225-5913
MA. 978-353-8157



DESCRIPTION:

PUSH-IN MOUNT

APPROVALS: T.S.

ENG'RG.

STOCK NO.

10056

REV
G

William Borison 3/19/04

William Borison

Mouser Electronics

Authorized Distributor

Click to View Pricing, Inventory, Delivery & Lifecycle Information:

[Avery Dennison:](#)

[10056-0](#) [10056](#)