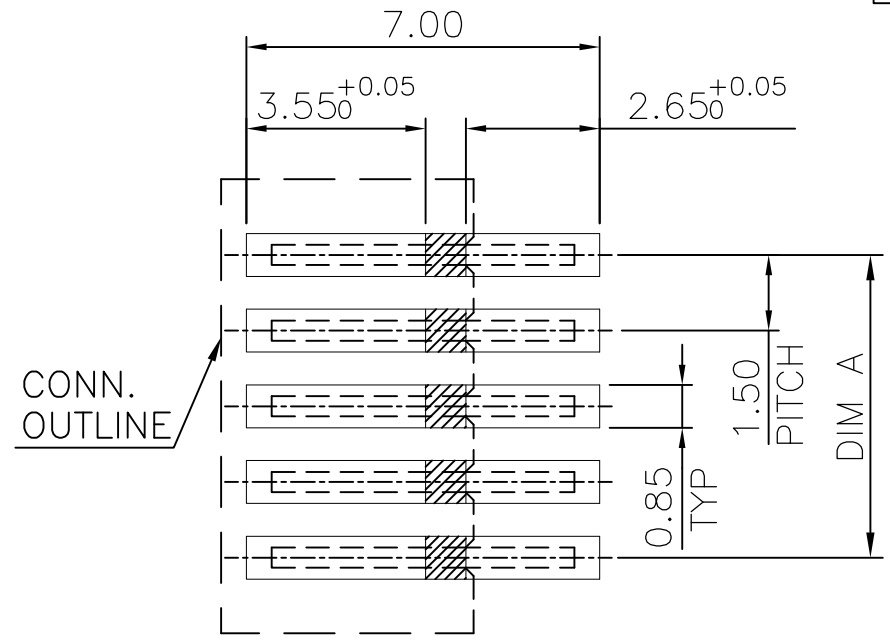
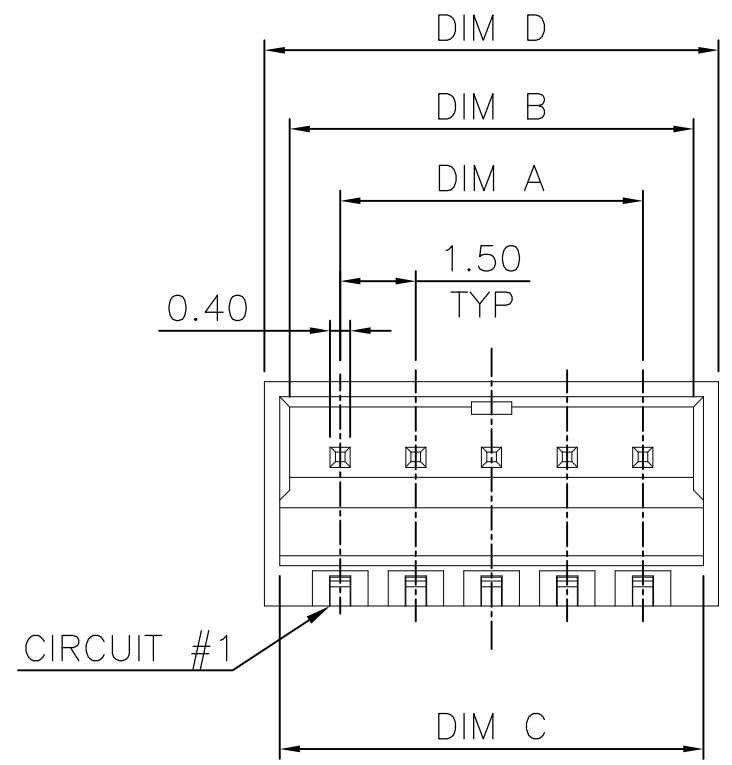


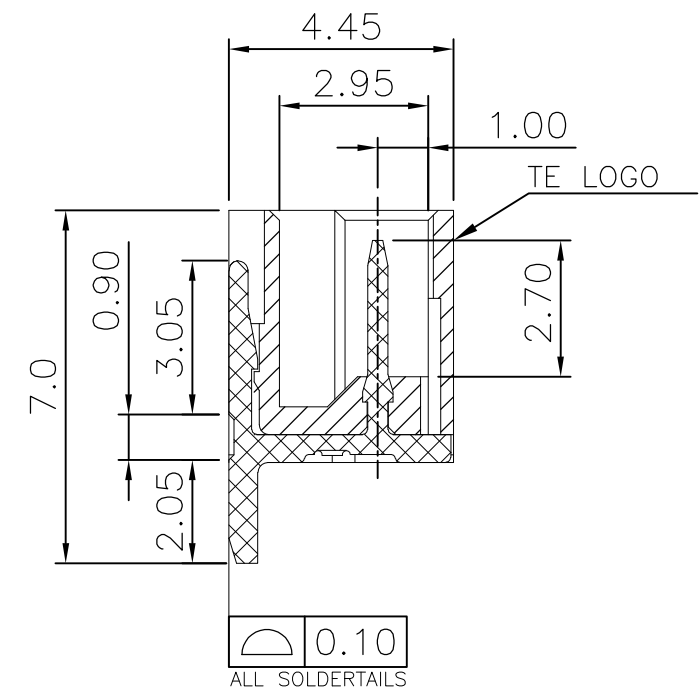
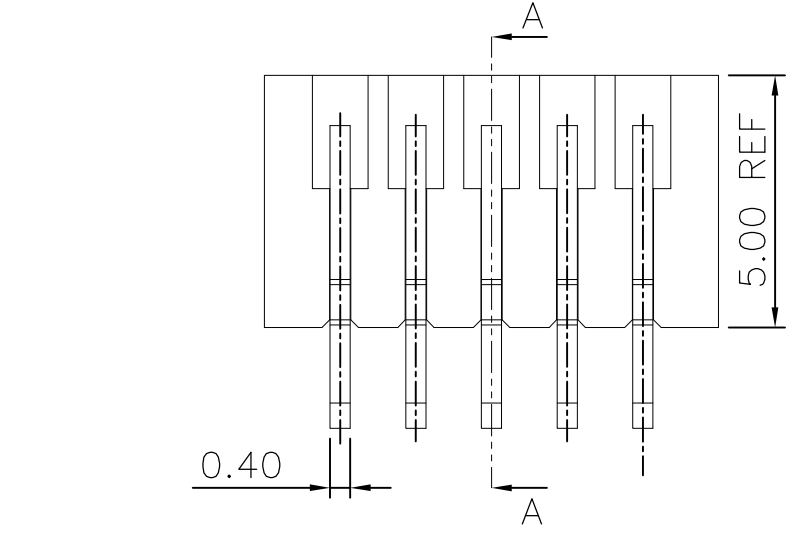
THIS DRAWING IS UNPUBLISHED. RELEASED FOR PUBLICATION
 © COPYRIGHT - BY - ALL RIGHTS RESERVED.

| LOC | DIST | REVISIONS | | | | |
|-----|------|---------------------------|---------|-----|------|--|
| P | LTR | DESCRIPTION | DATE | DWN | APVD | |
| DW | | REVISED PER ECO-11-005301 | 07MAR11 | RK | HMR | |



WITHOUT SOLDER AREA
 RECOMMENDED PCB LAYOUT
 TOLERANCE: ±0.05

- NOTES:
- MATERIALS:
 HOUSING: THERMOPLASTIC, UL94-V0, COLOR: NATURAL.
 TERMINAL: BRASS, THICKNESS=0.4mm.
 - FINISH:
 TERMINAL: 100μ" MIN. BRIGHT TIN PLATED OVER
 50μ" MIN. NICKEL UNDERPLATED ALL OVER.
 - TERMINAL RETENTION FORCE: 1.0 Kgf MIN.
 - REFLOW SOLDER CAPABLE TO 260°C PER TE CONNECTIVITY SPEC 109-201, CONDITION B.



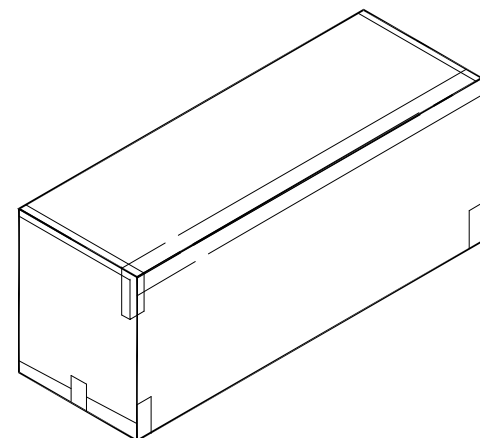
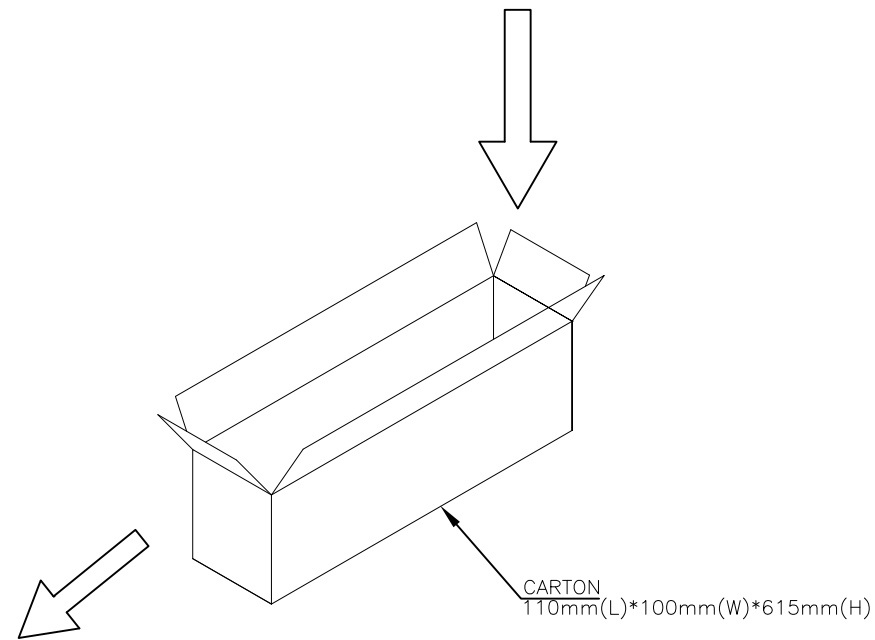
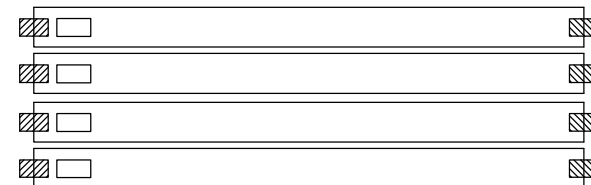
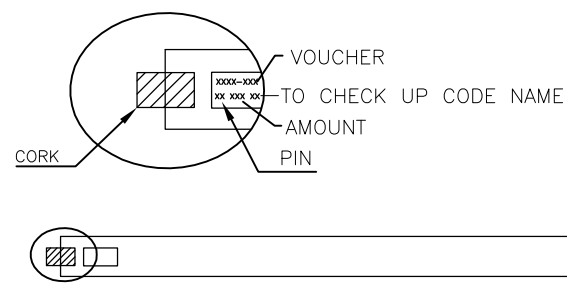
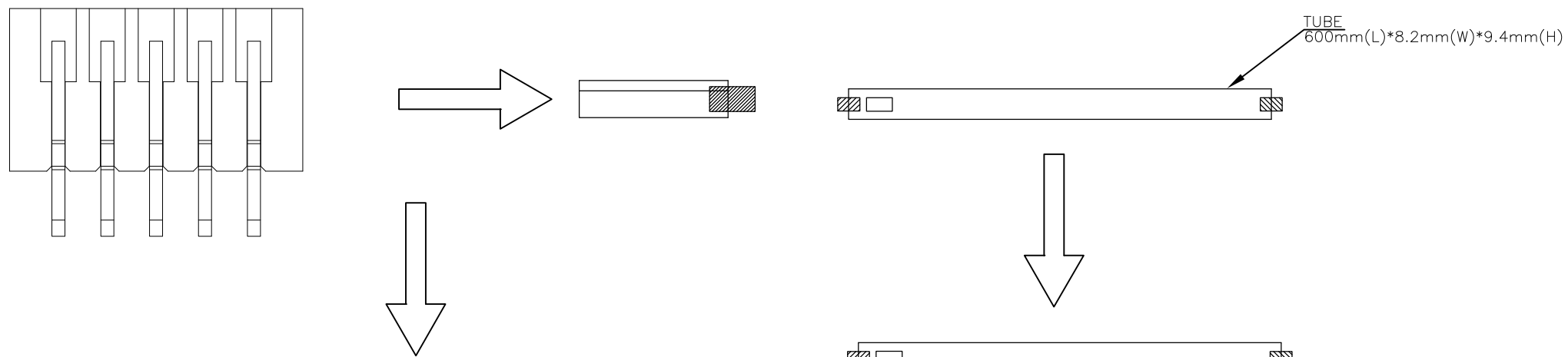
SECTION A-A

| PACKAGE | DIMENSIONS | | | | | POS. | PART NUMBER |
|---------|------------|-------|-------|-------|-------|-------------|-------------|
| | D | C | B | A | | | |
| REEL | 24.00 | 23.40 | 23.00 | 21.00 | 15 | 6-1775444-5 | |
| | 22.50 | 21.90 | 21.50 | 19.50 | 14 | 6-1775444-4 | |
| | 21.00 | 20.40 | 20.00 | 18.00 | 13 | 6-1775444-3 | |
| | 19.50 | 18.90 | 18.50 | 16.50 | 12 | 6-1775444-2 | |
| | 18.00 | 17.40 | 17.00 | 15.00 | 11 | 6-1775444-1 | |
| | 16.50 | 15.90 | 15.50 | 13.50 | 10 | 6-1775444-0 | |
| | 15.00 | 14.40 | 14.00 | 12.00 | 9 | 5-1775444-9 | |
| | 13.50 | 12.90 | 12.50 | 10.50 | 8 | 5-1775444-8 | |
| | 12.00 | 11.40 | 11.00 | 9.00 | 7 | 5-1775444-7 | |
| | 10.50 | 9.90 | 9.50 | 7.50 | 6 | 5-1775444-6 | |
| | 9.00 | 8.40 | 8.00 | 6.00 | 5 | 5-1775444-5 | |
| | 7.50 | 6.90 | 6.50 | 4.50 | 4 | 5-1775444-4 | |
| | 6.00 | 5.40 | 5.00 | 3.00 | 3 | 5-1775444-3 | |
| | 4.50 | 3.90 | 3.50 | 1.50 | 2 | 5-1775444-2 | |
| | TUBE | 24.00 | 23.40 | 23.00 | 21.00 | 15 | 1-1775444-5 |
| 22.50 | | 21.90 | 21.50 | 19.50 | 14 | 1-1775444-4 | |
| 21.00 | | 20.40 | 20.00 | 18.00 | 13 | 1-1775444-3 | |
| 19.50 | | 18.90 | 18.50 | 16.50 | 12 | 1-1775444-2 | |
| 18.00 | | 17.40 | 17.00 | 15.00 | 11 | 1-1775444-1 | |
| 16.50 | | 15.90 | 15.50 | 13.50 | 10 | 1-1775444-0 | |
| 15.00 | | 14.40 | 14.00 | 12.00 | 9 | 1775444-9 | |
| 13.50 | | 12.90 | 12.50 | 10.50 | 8 | 1775444-8 | |
| 12.00 | | 11.40 | 11.00 | 9.00 | 7 | 1775444-7 | |
| 10.50 | | 9.90 | 9.50 | 7.50 | 6 | 1775444-6 | |
| 9.00 | | 8.40 | 8.00 | 6.00 | 5 | 1775444-5 | |
| 7.50 | | 6.90 | 6.50 | 4.50 | 4 | 1775444-4 | |
| 6.00 | | 5.40 | 5.00 | 3.00 | 3 | 1775444-3 | |
| 4.50 | | 3.90 | 3.50 | 1.50 | 2 | 1775444-2 | |

| | | | | | | | | | |
|--|--|---------------------------|-----------|-----------|-----------------|-----------|-----------|------------|---------------|
| THIS DRAWING IS A CONTROLLED DOCUMENT. | | DWN | J. LAI | 19FEB2009 | TE Connectivity | | | | |
| DIMENSIONS: MM | | CHK | S. CHIEN | 19FEB2009 | | | | | |
| TOLERANCES UNLESS OTHERWISE SPECIFIED: | | APVD | W. KODAMA | 19FEB2009 | NAME | | | | |
| 0 PLC ± - 1 PLC ± 0.25 2 PLC ± 0.15 3 PLC ± 0.10 4 PLC ± - ANGLES ± - | | PRODUCT SPEC | | 108-57631 | | | | | |
| MATERIAL SEE NOTE | | QUALIFICATION TEST REPORT | | 501-57736 | | SIZE | CAGE CODE | DRAWING NO | RESTRICTED TO |
| FINISH SEE NOTE | | WEIGHT - GRAMS | | A3 00779 | | C=1775444 | | - | |
| CUSTOMER DRAWING | | | | | SCALE | SHEET | 1 OF 3 | REV | A3 |

THIS DRAWING IS UNPUBLISHED. RELEASED FOR PUBLICATION
 © COPYRIGHT - BY - ALL RIGHTS RESERVED.

| LOC | DIST | REVISIONS | | | |
|-----|------|--------------|------|-----|------|
| P | LTR | DESCRIPTION | DATE | DWN | APVD |
| | | SEE SHEET 1. | - | - | - |



| PCS/TUBE | TUBES/CARTON | QUANTITY (PCS) | POS. | PART NUMBER |
|----------|--------------|----------------|------|-------------|
| 20 | 100 | 2000 | 15 | 1-1775444-5 |
| 25 | 100 | 2500 | 14 | 1-1775444-4 |
| 25 | 100 | 2500 | 13 | 1-1775444-3 |
| 25 | 100 | 2500 | 12 | 1-1775444-2 |
| 30 | 100 | 3000 | 11 | 1-1775444-1 |
| 35 | 100 | 3500 | 10 | 1-1775444-0 |
| 35 | 100 | 3500 | 9 | 1775444-9 |
| 40 | 100 | 4000 | 8 | 1775444-8 |
| 45 | 100 | 4500 | 7 | 1775444-7 |
| 55 | 100 | 5500 | 6 | 1775444-6 |
| 60 | 100 | 6000 | 5 | 1775444-5 |
| 75 | 100 | 7500 | 4 | 1775444-4 |
| 95 | 100 | 9500 | 3 | 1775444-3 |
| 125 | 100 | 12500 | 2 | 1775444-2 |

| | | | | | | | |
|---|--|------------------|---|--------|---------------|-----------|--|
| THIS DRAWING IS A CONTROLLED DOCUMENT. | | DWN | TE Connectivity EMIX CONN., 1.5mm PITCH HDR, RIGHT ANGLE | | | | |
| DIMENSIONS: MM | | CHK | | | | NAME | |
| TOLERANCES UNLESS OTHERWISE SPECIFIED: 0 PLC ± - 1 PLC ± - 2 PLC ± - 3 PLC ± - 4 PLC ± - ANGLES ± - | | APVD | | | | SIZE | |
| MATERIAL | | PRODUCT SPEC | | | | CAGE CODE | |
| FINISH | | APPLICATION SPEC | DRAWING NO | | RESTRICTED TO | | |
| | | WEIGHT | A3 00779 | | ©=1775444 | | |
| CUSTOMER DRAWING | | | SCALE | SHEET | REV | | |
| | | | - | 2 OF 3 | A3 | | |

THIS DRAWING IS UNPUBLISHED.

RELEASED FOR PUBLICATION

- . - .

© COPYRIGHT - BY -

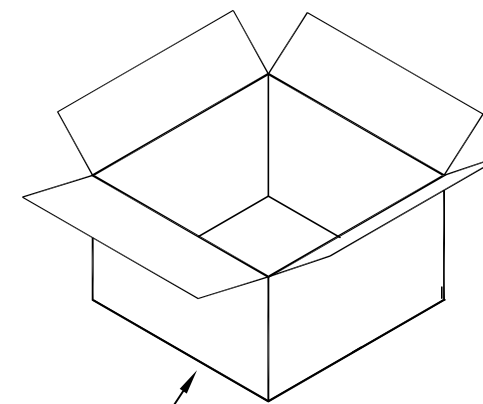
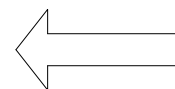
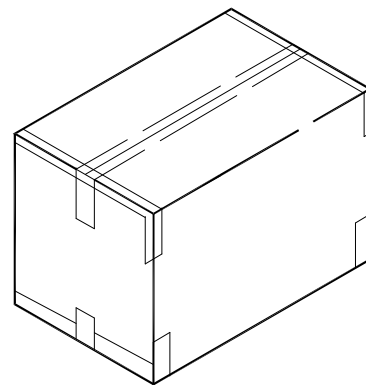
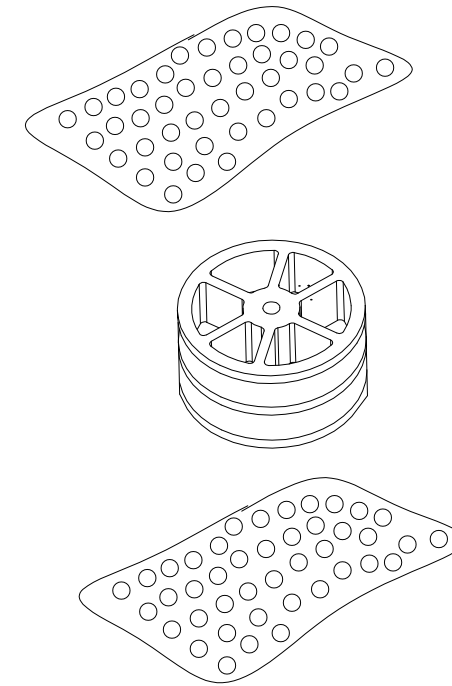
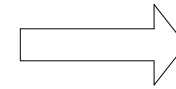
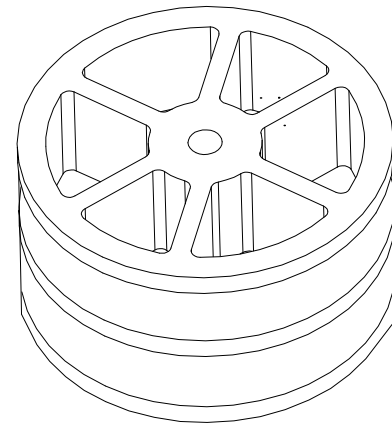
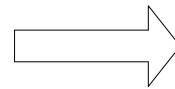
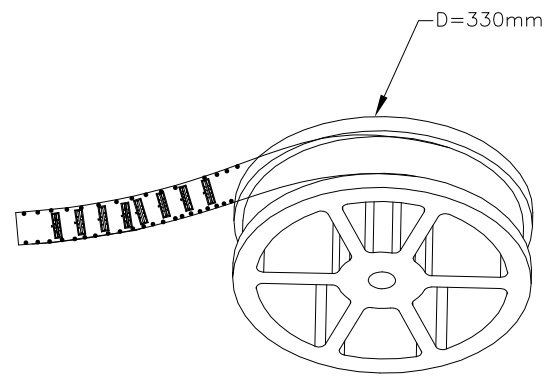
ALL RIGHTS RESERVED.

LOC
DW

DIST
/

REVISIONS

| P | LTR | DESCRIPTION | DATE | DWN | APVD |
|---|-----|--------------|------|-----|------|
| - | - | SEE SHEET 1. | - | - | - |



CARTON
335mm(L)*335mm(W)*480mm(H)

| | | | | |
|------|---|------|----|-------------|
| 1000 | 4 | 4000 | 15 | 6-1775444-5 |
| 1000 | 4 | 4000 | 14 | 6-1775444-4 |
| 1000 | 4 | 4000 | 13 | 6-1775444-3 |
| 1000 | 4 | 4000 | 12 | 6-1775444-2 |
| 1000 | 4 | 4000 | 11 | 6-1775444-1 |
| 1000 | 4 | 4000 | 10 | 6-1775444-0 |
| 1000 | 6 | 6000 | 9 | 5-1775444-9 |
| 1000 | 6 | 6000 | 8 | 5-1775444-8 |
| 1000 | 6 | 6000 | 7 | 5-1775444-7 |
| 1000 | 6 | 6000 | 6 | 5-1775444-6 |
| 1000 | 6 | 6000 | 5 | 5-1775444-5 |
| 1000 | 9 | 9000 | 4 | 5-1775444-4 |
| 1000 | 9 | 9000 | 3 | 5-1775444-3 |
| 1000 | 9 | 9000 | 2 | 5-1775444-2 |

| PCS/ REEL | REELS/ CARTON | QUANTITY (PCS) | POS. | PART NUMBER |
|-----------|---------------|----------------|------|-------------|
|-----------|---------------|----------------|------|-------------|

THIS DRAWING IS A CONTROLLED DOCUMENT.

| DIMENSIONS: | TOLERANCES UNLESS OTHERWISE SPECIFIED: |
|-------------|--|
| MM | |
| | 0 PLC ± - |
| | 1 PLC ± - |
| | 2 PLC ± - |
| | 3 PLC ± - |
| | 4 PLC ± - |
| | ANGLES ± - |

| MATERIAL | FINISH |
|----------|--------|
| - | - |

| |
|------------------|
| DWN |
| CHK |
| APVD |
| PRODUCT SPEC |
| APPLICATION SPEC |
| WEIGHT |
| CUSTOMER DRAWING |

STE TE Connectivity

NAME
EMIX CONN., 1.5mm PITCH HDR, RIGHT ANGLE

| SIZE | CAGE CODE | DRAWING NO | RESTRICTED TO |
|------|-----------|------------|---------------|
| A3 | 00779 | C=1775444 | - |

SCALE: - SHEET: 3 OF 3 REV: A3

Mouser Electronics

Authorized Distributor

Click to View Pricing, Inventory, Delivery & Lifecycle Information:

[TE Connectivity:](#)

[5-1775444-6](#)