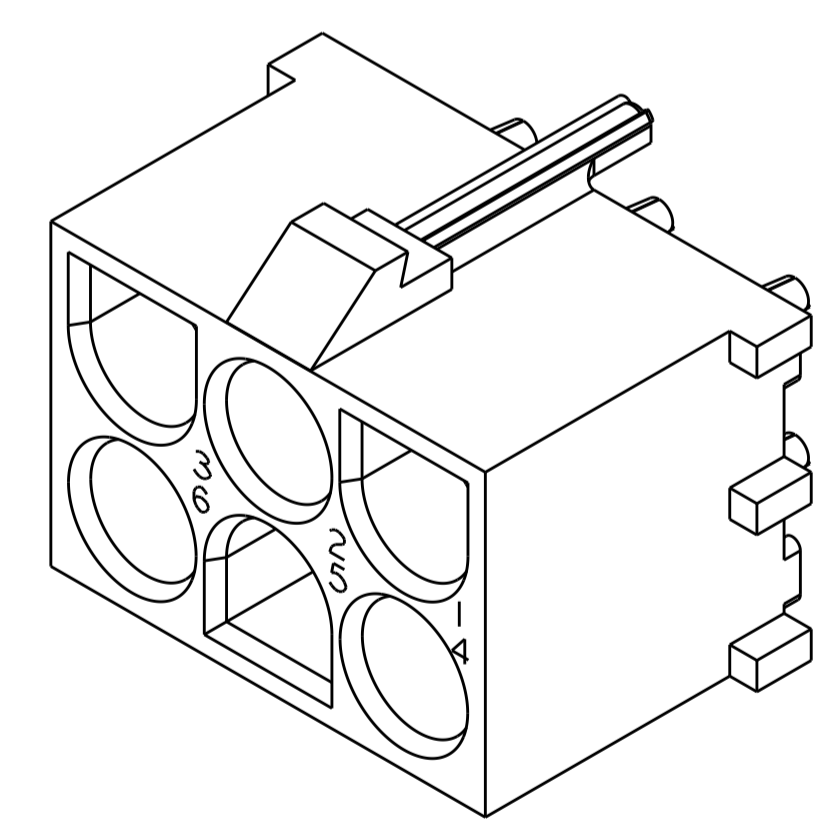
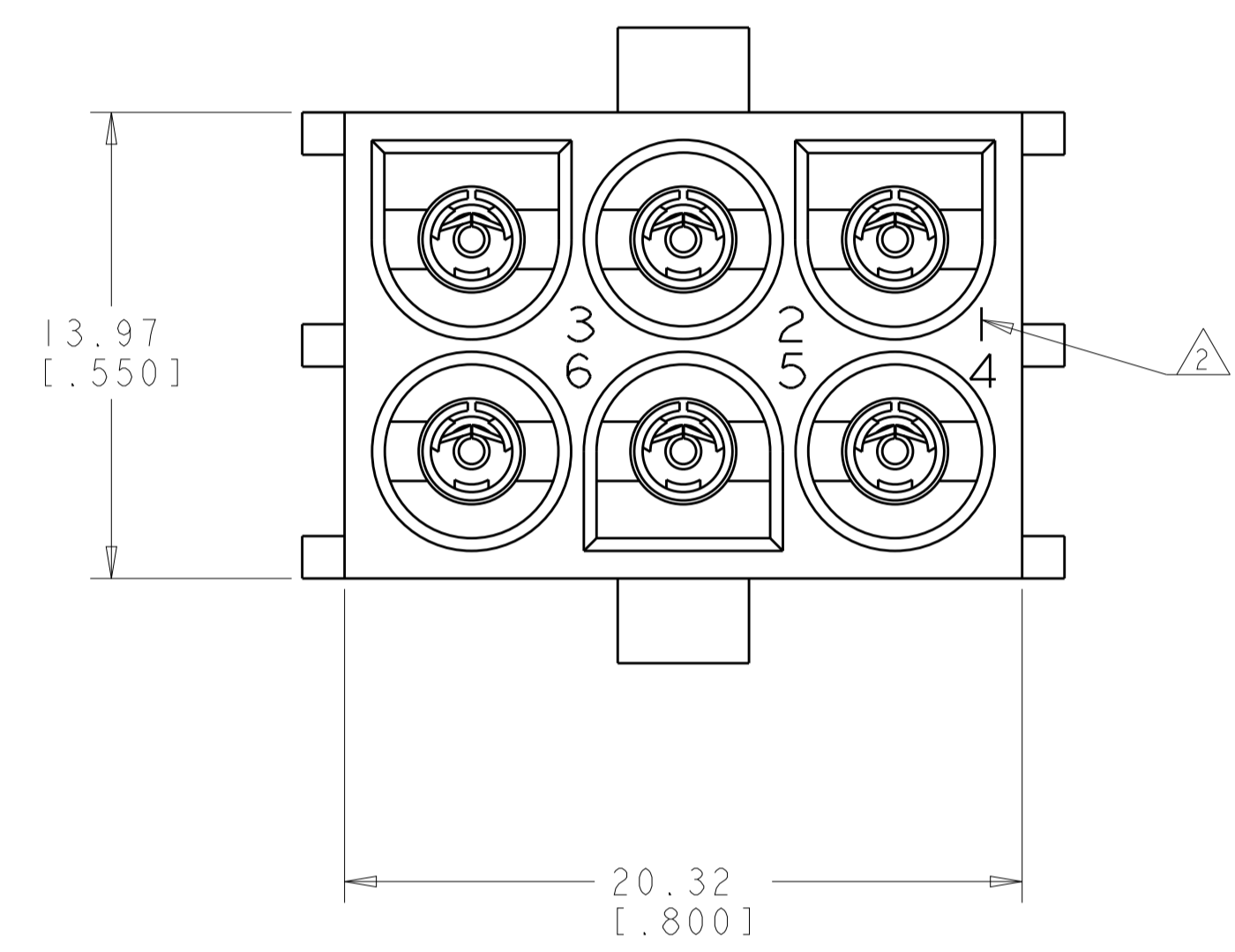
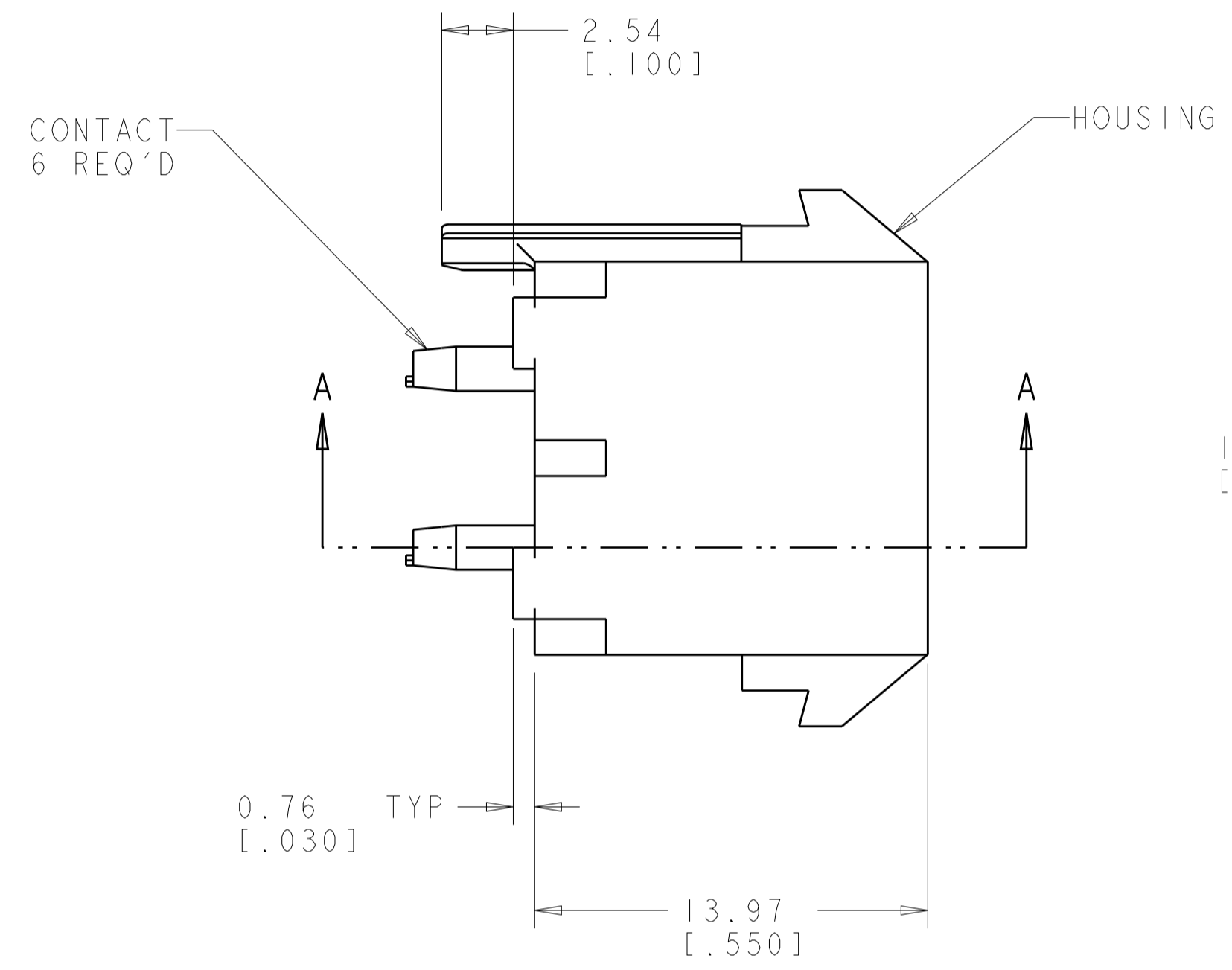
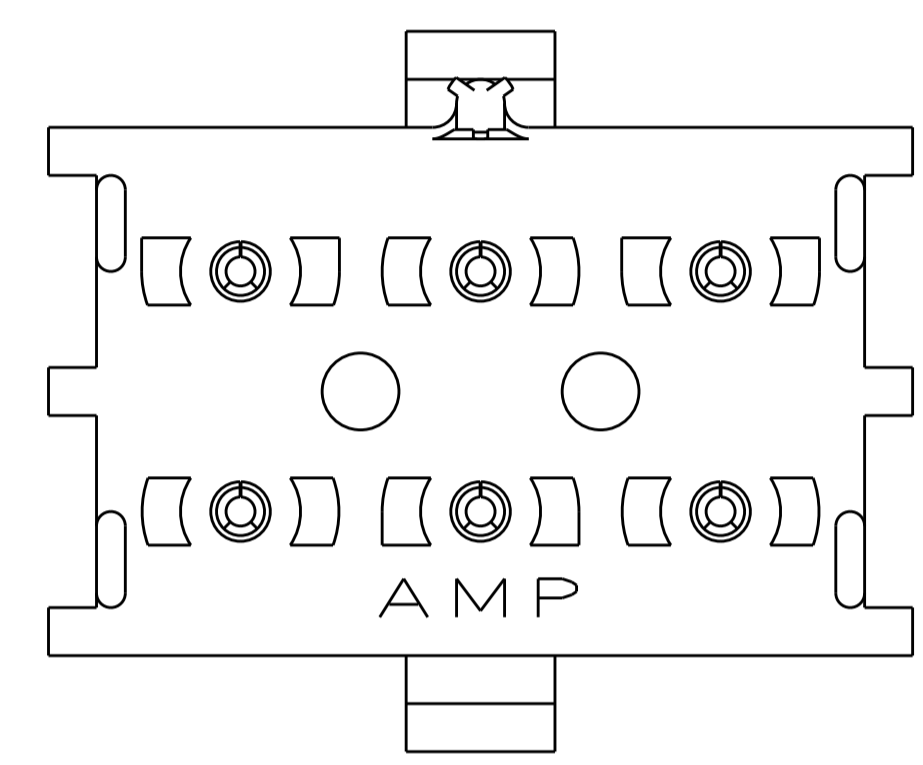
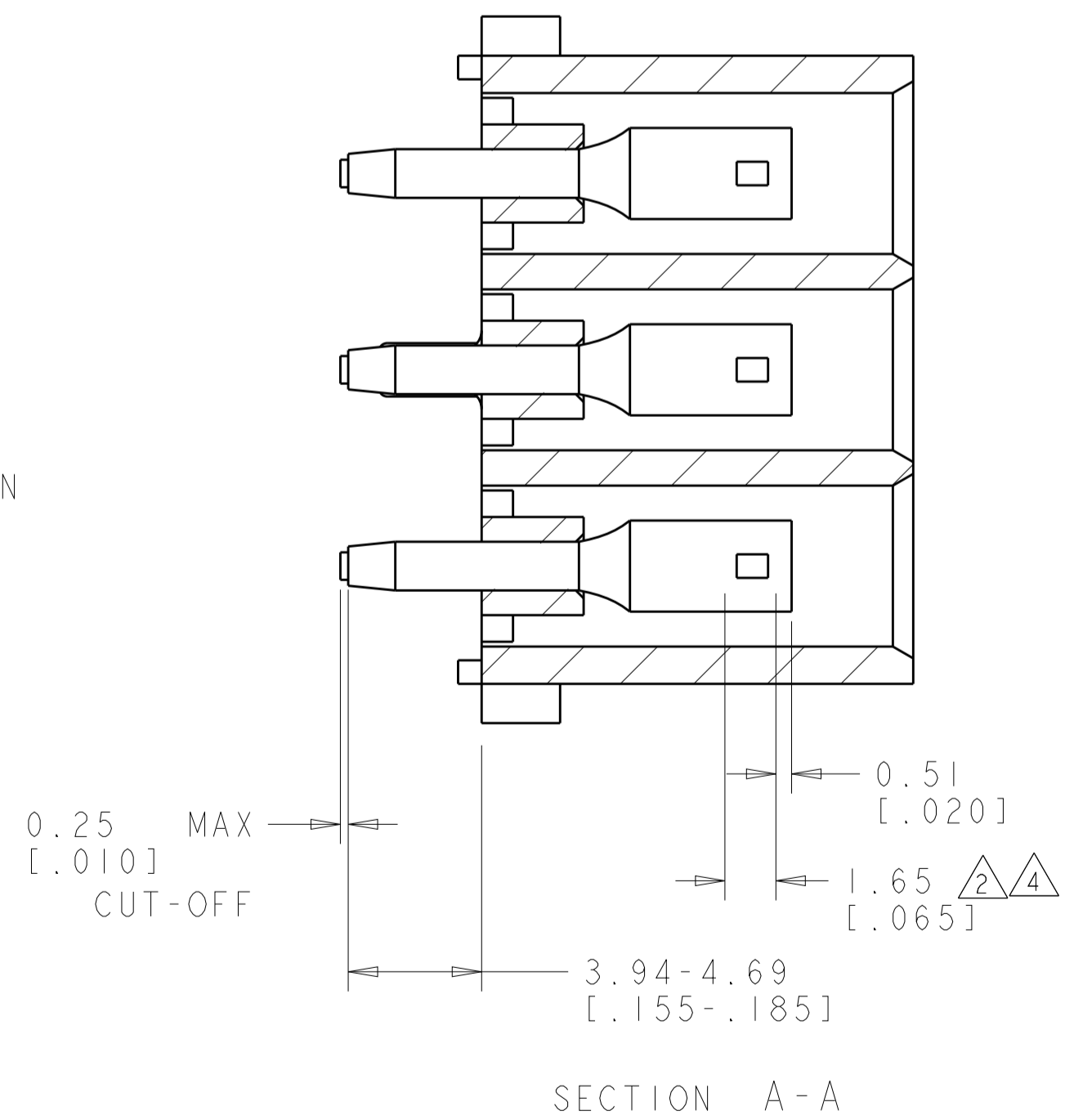
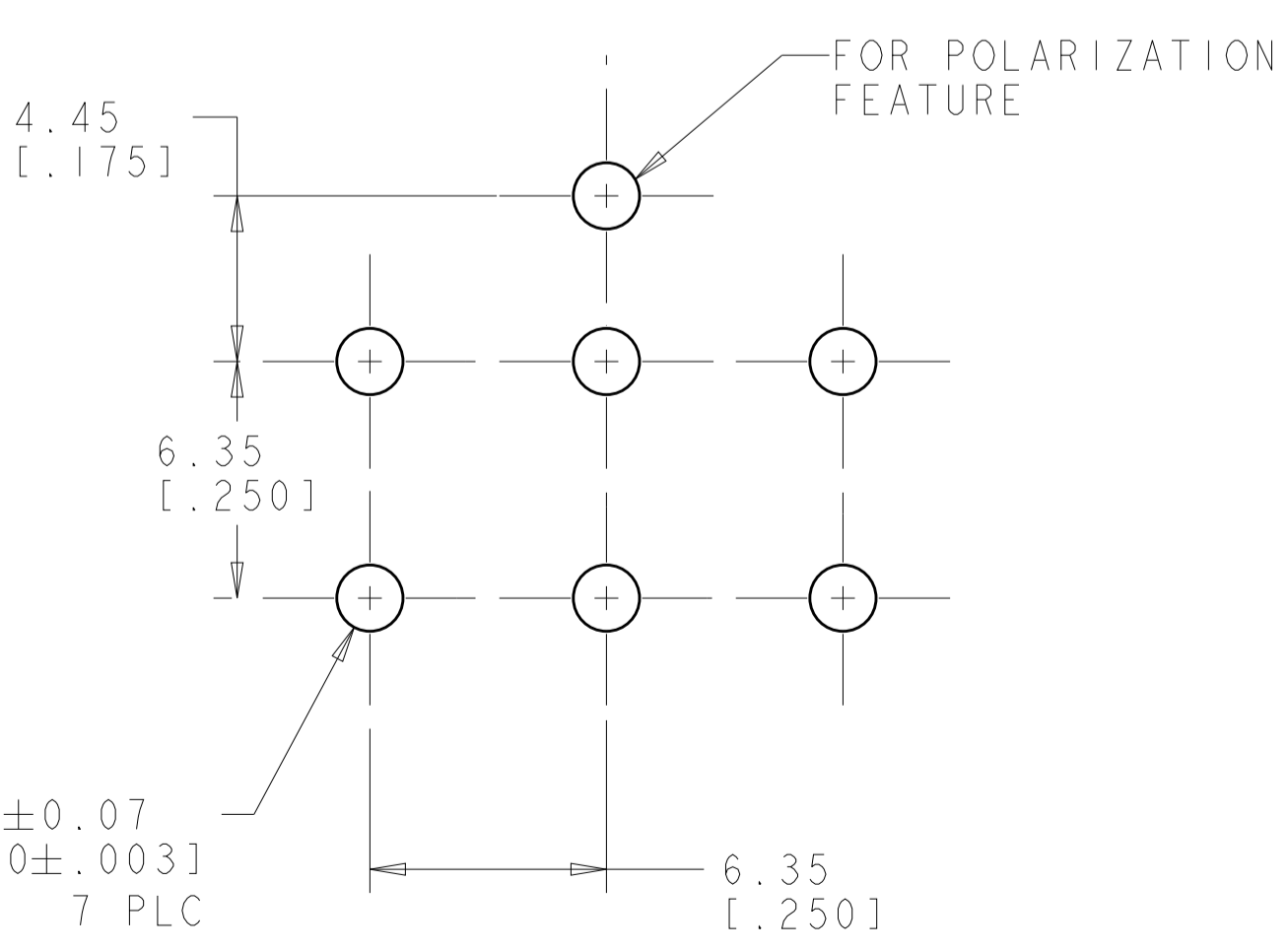


LOC	DIST	REVISIONS					
		P	LTN	DESCRIPTION	DATE	DWN	APVD
CM	00	H1		REVISED PER ECR-12-011660	24JAN2013	KH	TM

1. PARTS COMPLY TO AMP SOLDERABILITY SPECIFICATION 109-11-3.
2. CONTACT IS PLATED OVERALL WITH 0.00127 [0.00050] NICKEL, THEN STRIPED WITH 0.00076 [0.00030] GOLD IN CONTACT AREA AND TIN-LEAD ON SOLDER TAIL END.
3. CIRCUIT IDENTIFICATION CHARACTERS ARE ADJACENT TO THE INDICATED CAVITIES, BUT LOCATION AND ORIENTATION MAY DIFFER FROM PRINT.
4. CONTACT IS PLATED OVERALL WITH 0.00127 [0.00050] NICKEL, THEN 0.00076 [0.00030] GOLDOVER CONTACT LENGTH INDICATED AND MATTE TIN ON SOLDER TAIL END.
5. SUPERSEDED BY 643424-3



SCALE 4:1

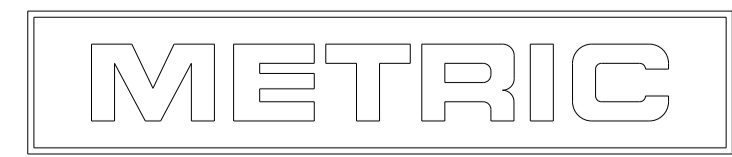


SECTION A-A

RECOMMENDED MOUNTING HOLE PATTERN FOR 1.57 [.062] THICK P.C. BOARD

PHOSPOR BRONZE, GOLD	NYLON, UL94V-0	643424-3
PHOSPOR BRONZE, GOLD	NYLON, UL94V-0	643424-2
PHOSPOR BRONZE, PRE-TIN	NYLON, UL94V-0	643424-1
CONTACT	HOUSING	PART NUMBER

THIS DRAWING IS A CONTROLLED DOCUMENT.		DWN: R. WHITAKER 13OCT2005	TE Connectivity
DIMENSIONS: mm [INCHES]		CHK: S. RIDGILL 13OCT2005	
TOLERANCES UNLESS OTHERWISE SPECIFIED:		APVD: S. RIDGILL 13OCT2005	NAME: SOCKET HEADER ASSEMBLY, POLARIZED, 6 CIRCUIT, UNIVERSAL MATE-N-LOK(TM)
0 PLC ±		PRODUCT SPEC	
1 PLC ±0.131(.005)		APPLICATION SPEC	SIZE: CAGE CODE: DRAWING NO: RESTRICTED TO
2 PLC ±		WEIGHT	A100779C=643424
3 PLC ±		CUSTOMER DRAWING	SCALE: 5:1 SHEET 1 OF 1 REV: H1
4 PLC ±			
ANGLES: 40°/30°			
FINISH: SEE TABLE			



Mouser Electronics

Authorized Distributor

Click to View Pricing, Inventory, Delivery & Lifecycle Information:

[TE Connectivity:](#)

[643424-3](#)