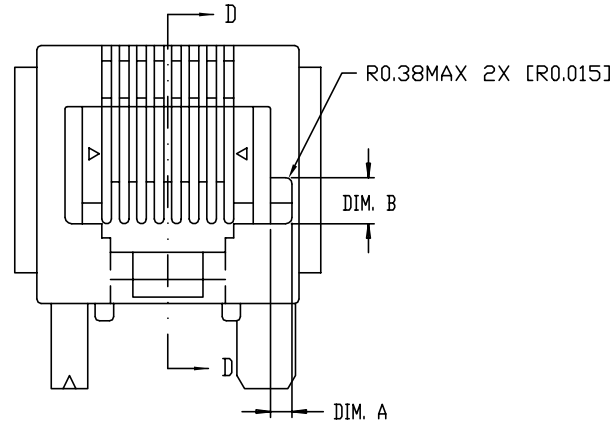
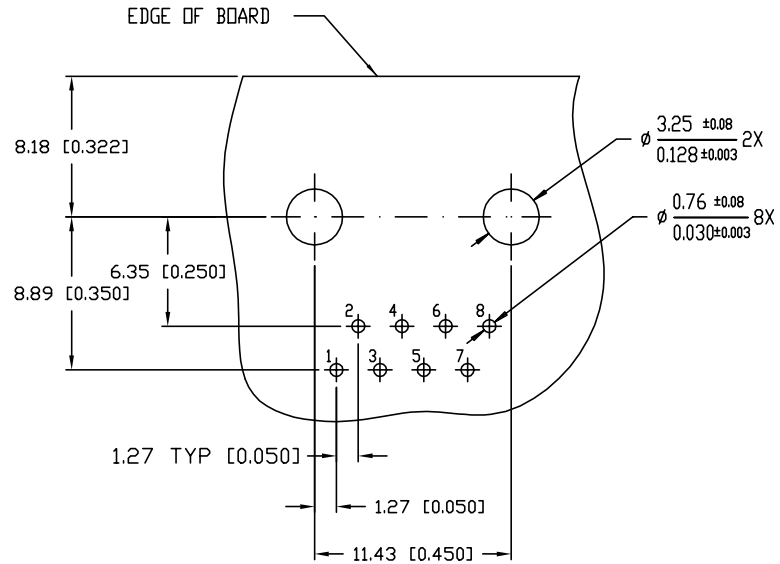
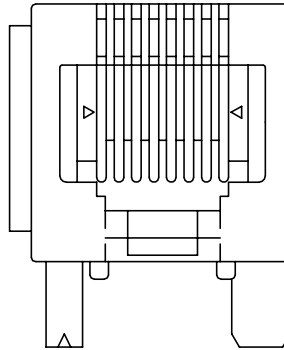


mat'l. code		surface ISO1302 ✓		tolerance ISO1101 ISO406		projection mm		product family MOD JACK	
trecn nodr		date		tolerances unless otherwise specified		scale 2.0		title	
T	ECR S00022 BC LOH	26JAN.00		angle 0°		mm		8 POS HORIZONTAL	
U	ECR V10424 BLMOWER	12FEB.01		0°±2'		mm		P.C.B. MOD JACK ASSY	
V	N05-0002 YS	06JAN.01		0°±2'		mm		scale 2.0	
W	N08-0074 SH MMD	30APR.08		dr	JANET	15JUN.98		dwg no	sheet 1 of 3
X	ELX-N-010667 SH MMD	13MAR.12		engr	JANET	15JUN.98		68899	A4
				chr	M CHENG	19FEB.01		type	Product Customer Drawing
				appd	M CHENG	19FEB.01			
sheet index	revision	x	x	x					
	sheet	1	2	3					

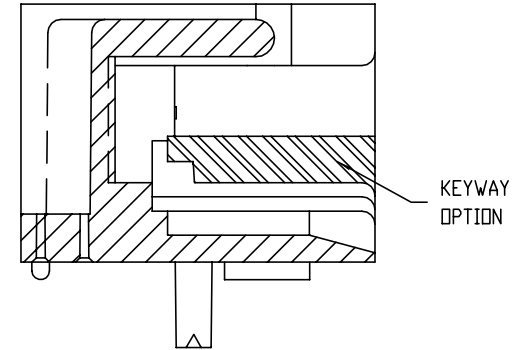
RECOMMENDED BOARD LAYOUT  
VIEWED FROM TOP



KEYED STYLE



LEFT EAR MOUNTING



SECTION D-D

NOTE :

- 1 THIS PRODUCT MEETS EUROPEAN UNION DIRECTIVES AND OTHER COUNTRY REGULATIONS AS DESCRIBED IN GS-22-008.
- 2 THE HOUSING WILL WITHSTAND EXPOSURE TO 260°C PEAK TEMPERATURE FOR 10 SECONDS IN A WAVE SOLDER APPLICATION WITH A 1.60mm MINIMUM THICK CIRCUIT BOARD.
- 3 IF LF P/N PACKAGING MEETS GS-14-920 SPECIFICATION.

mat'l. code		surface		tolerance		projection		product family		
l t r e c n n o d r		ISO1302 ✓		ISO1101 ISO406				MOD JACK		
date		tolerances unless otherwise specified		mm		title		8 POS HORIZONTAL		
T	ECR S00022 BC LOH 26JAN.00	0.X±0.3		scale 2.0		P.C.B. MOD JACK ASSY		dwg no		
U	ECR V10424 ALBROWER 12FEB.01	0.XX±0.15		sheet 2 of 3		size		68899 A4		
V	N05-0002 YS 06JAN.01	0'±2"		type		Product Customer Drawing				
W	N08-0074 SH MMD 30APR.08	dir	JANET	15JUN.98						
X	ELX-N-010667 SH MMD 13MAR.12	enr	JANET	15JUN.98						
		chr	M CHENG	19FEB.01						
		appd	M CHENG	19FEB.01						
sheet index	revision sheet									



PRODUCT NO.	DIM. A	DIM. B	STYLE	POSITIONS LOADED	CONTACT PLATING	HOUSING COLOR	MOUNTING EARS	REMARKS
68899-001 -001LF	-	-	UNKEYED	ALL	0.76um /30*u GXT	BLACK	YES	-
-002 -002LF	1.25 /0.050	2.69 /0.106	KEYED	ALL	5u' Au + high performance lubricant	BLACK	YES	-
-003 -003LF	-	-	UNKEYED	2,3,4,5,6,7	5u' Au + high performance lubricant	BLACK	YES	-
-004 -004LF	-	-	UNKEYED	ALL	5u' Au + high performance lubricant	BLACK	NO	-
-004RLF	-	-	UNKEYED	ALL	5u' Au + high performance lubricant	RED	NO	-
-004GLF	-	-	UNKEYED	ALL	5u' Au + high performance lubricant	GREEN	NO	-
-005 -005LF	-	-	UNKEYED	ALL	5u' Au + high performance lubricant	GRAY	NO	-
-006 -006LF	-	-	UNKEYED	ALL	5u' Au + high performance lubricant	BLACK	YES	-
-007 -007LF	1.25 /0.050	2.69 /0.106	KEYED	ALL	5u' Au + high performance lubricant	BLACK	NO	-
-008 -008LF	-	-	UNKEYED	ALL	5u' Au + high performance lubricant	BLACK	LEFT ONLY	-
-009 -009LF	-	-	UNKEYED	ALL	5u' Au + high performance lubricant	BLACK	RIGHT ONLY	-
-010 -010LF	-	-	UNKEYED	ALL	1,27um /50*u GXT	BLACK	YES	-
-011 -011LF	-	-	UNKEYED	1,4,5,8	5u' Au + high performance lubricant	BLACK	YES	-
-012 -012LF	-	-	UNKEYED	ALL	5u' Au + high performance lubricant	BLACK	NO	-
-013 -013LF	-	-	UNKEYED	ALL	1,27um /50*u GXT	BLACK	NO	-
-014 -014LF	1.25 /0.050	2.69 /0.106	KEYED	ALL	5u' Au + high performance lubricant	BLACK	NO	-
-015 -015LF	1.25 /0.050	2.69 /0.106	KEYED	ALL	1,27um /50*u GXT	BLACK	NO	-

LEAD FREE PRODUCT NO.

mat'l. code		surface ISO1302 <input checked="" type="checkbox"/>		tolerance ISO1101 ISO406		projection 		product family MOD JACK	
l	tr	ecr	nodr	date	tolerances unless otherwise specified		title		
T	ECR	S00022	BC	LOH	26	JAN.	00	8 POS HORIZONTAL	
U	ECR	V10424	ALBROW	12	FEB.	01	P.C.B. MOD JACK ASSY		
V	N05-0002	YS	06	JAN.	01	0°±2'		scale 2.0	
W	N08-0074	SH	MMO	30	APR.	08	dr	JANET	15
X	ELX-N-010667	SH	MMO	13	MAR.	12	enr	JANET	15
							chr	M CHENG	19
							appd	M CHENG	19
sheet	revision								
index	sheet								



dwg no 68899 sheet 3 of 3 size A4  
type Product Customer Drawing

# Mouser Electronics

Authorized Distributor

Click to View Pricing, Inventory, Delivery & Lifecycle Information:

[FCI / Amphenol:](#)

[68899-010](#) [68899-002](#) [68899-013](#) [68899-004LF](#) [68899-001LF](#) [68899-002LF](#) [68899-006LF](#) [68899-010LF](#) [68899-013LF](#) [68899-011](#) [68899-012LF](#) [68899-011LF](#) [68899-004](#) [68899-001](#)