

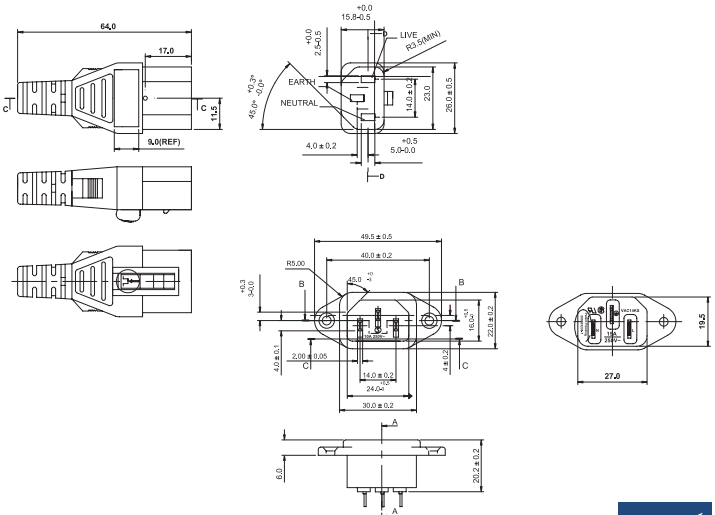
# IEC STD. C13 & C14

CATALOG No.: **VAC13KS**  
& **VAC14KS**



Description : Positive Lock Connector & mating inlet  
 Standard : EN60320-1 : 2001, BS4491, AS/NZS 3109.1  
 Rating : 10A, 250V  
 Application : Server, Switch, Medical Instruments, Router, etc.

| Cable Source           | Cable Type & Size   | Plug for detachable cordage  |
|------------------------|---|--|
| BaoHing<br>(Shenzhen)  | H05VV-F 3x0.75mm <sup>2</sup><br>and<br>H05VV-F 3x1.00mm <sup>2</sup> | Europe plug catalog no.:<br><b>M2511 and EU16CS3</b><br>U.K. plug catalog no.:<br><b>UK13A3 and MP5004</b><br>Australia plug catalog no.:<br><b>AU10S3</b> |
| TongYuan<br>(Shenzhen) | H05VV-F 3x0.75mm <sup>2</sup><br>and<br>H05VV-F 3x1.00mm <sup>2</sup> | Europe plug catalog no.:<br><b>M2511</b><br>U.K. plug catalog no.:<br><b>UK13A3 and MP5004</b><br>Australia plug catalog no.:<br><b>AU10S3</b>             |



# Mouser Electronics

Authorized Distributor

Click to View Pricing, Inventory, Delivery & Lifecycle Information:

[Volex:](#)

[IN-VAC14KS-001](#) [IN-VAC20KS-001](#) [IN-SS7B1T7-001](#)