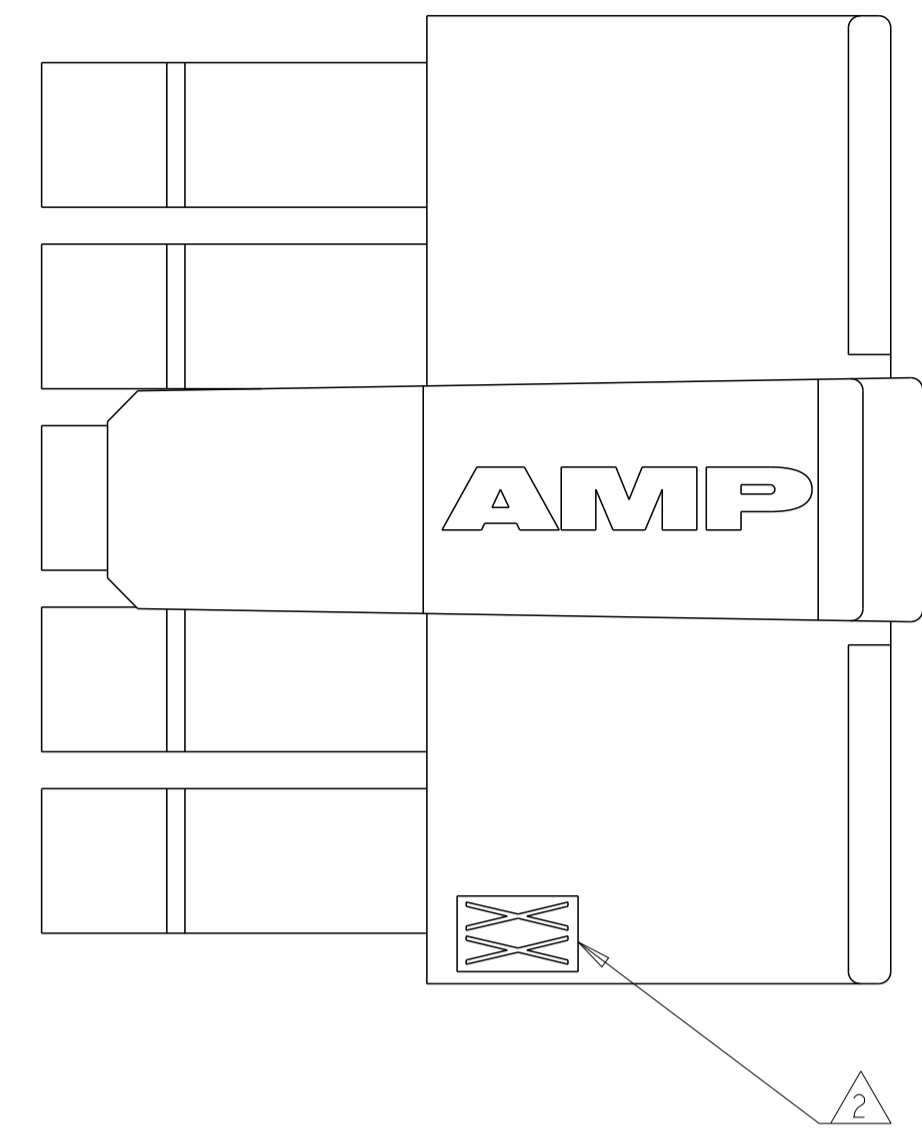
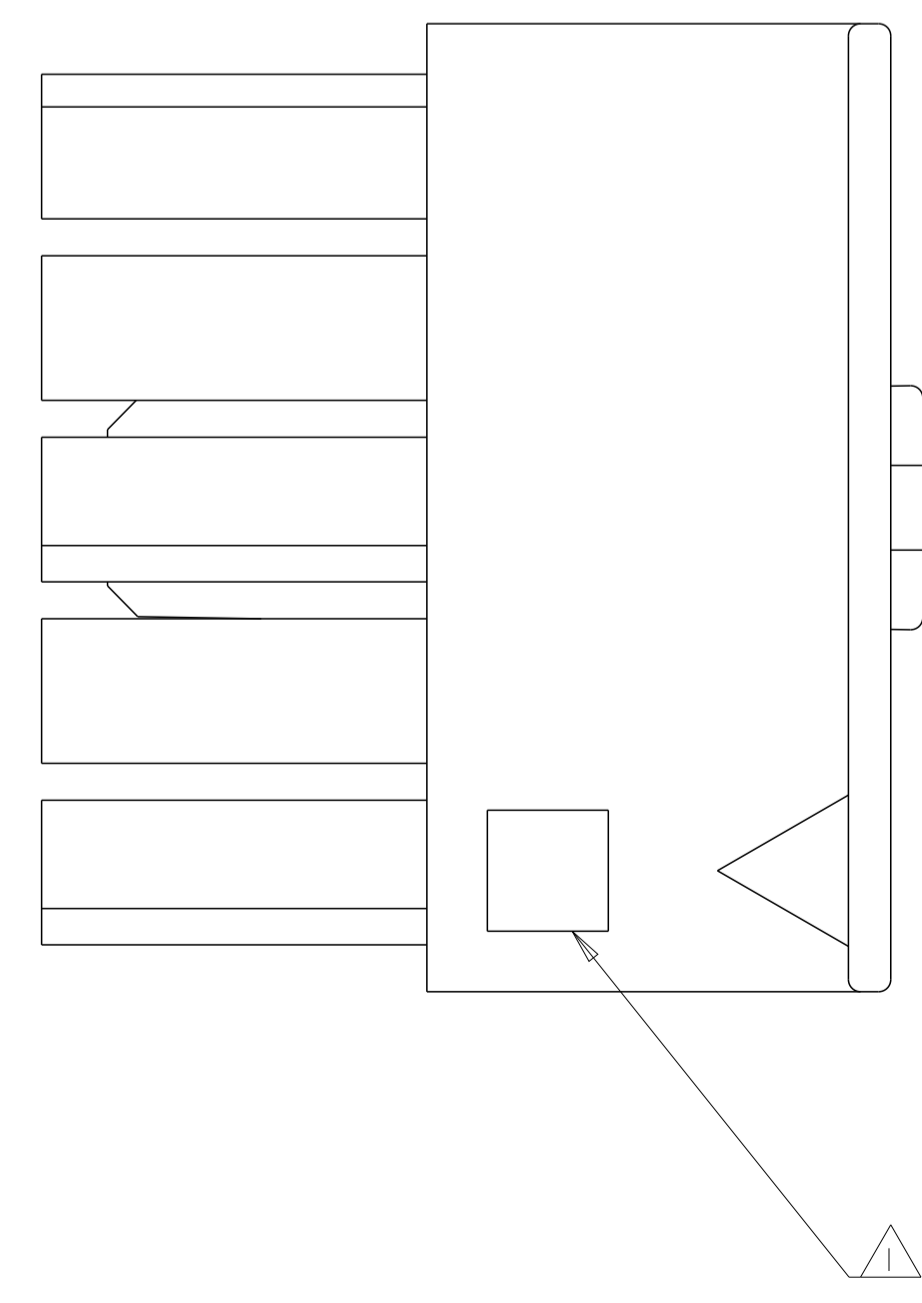
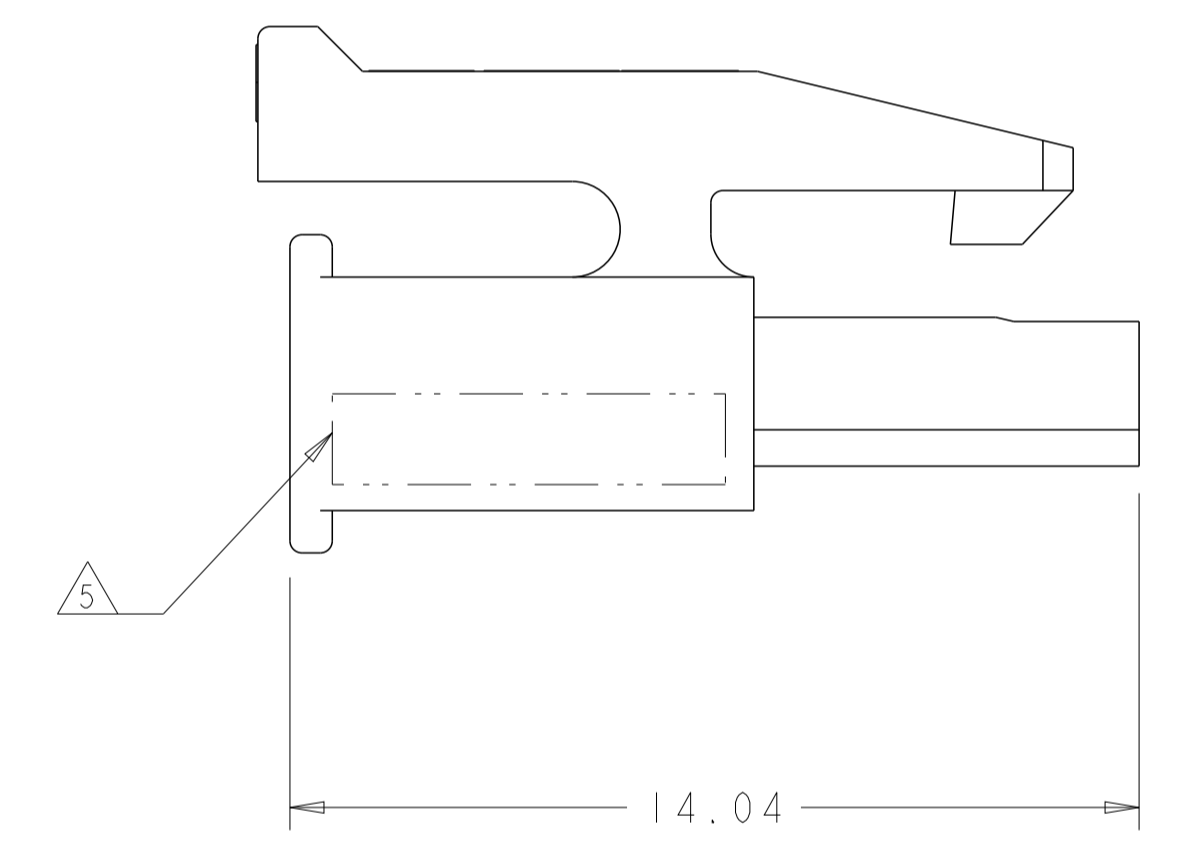
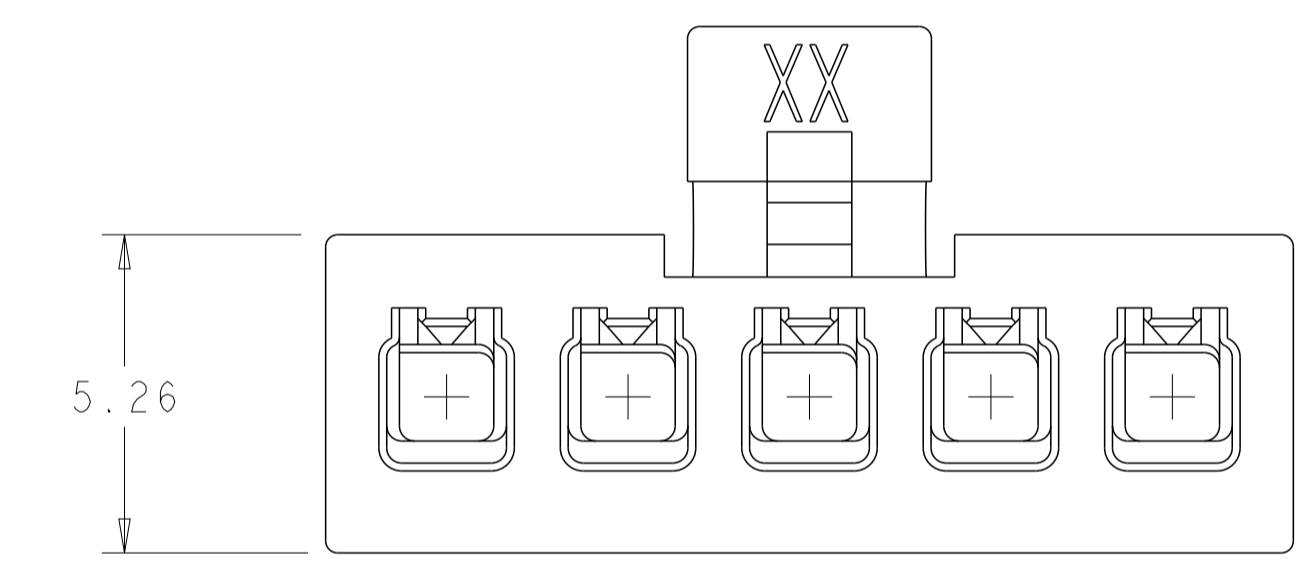
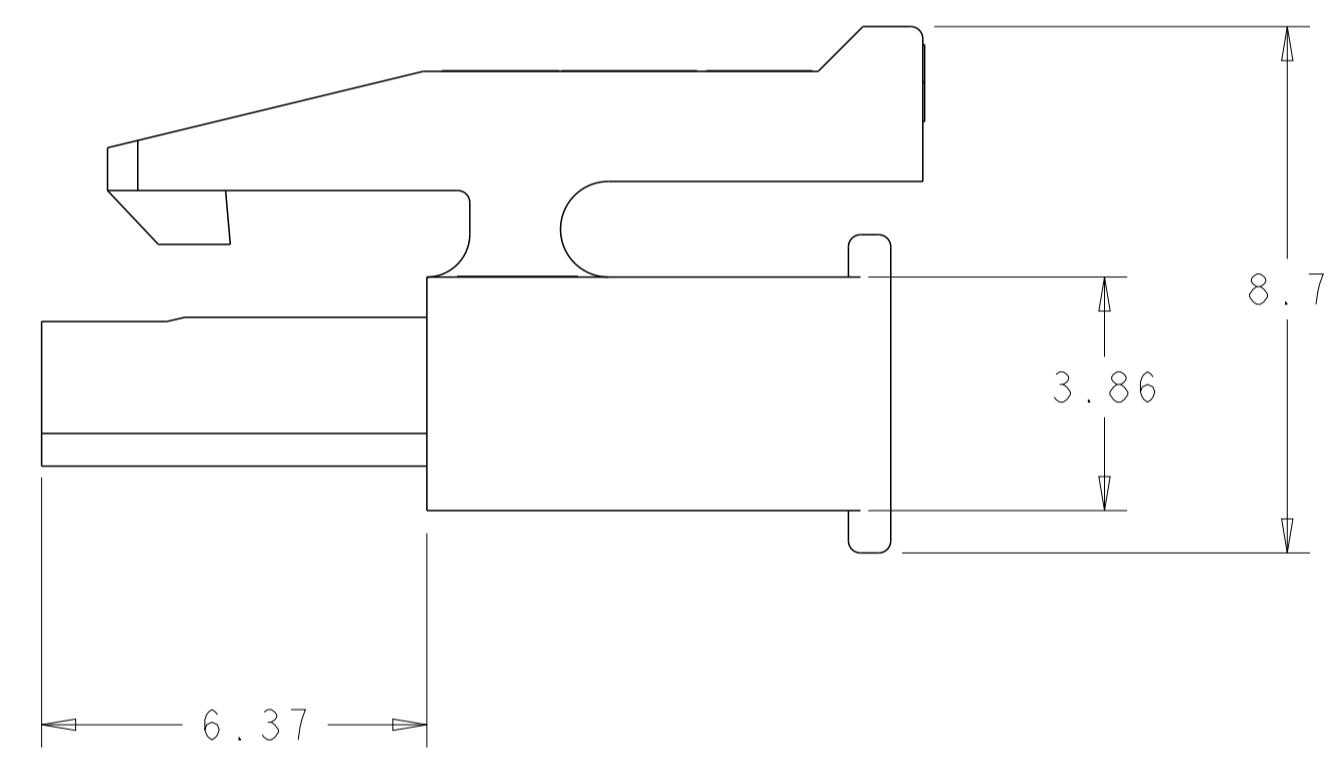
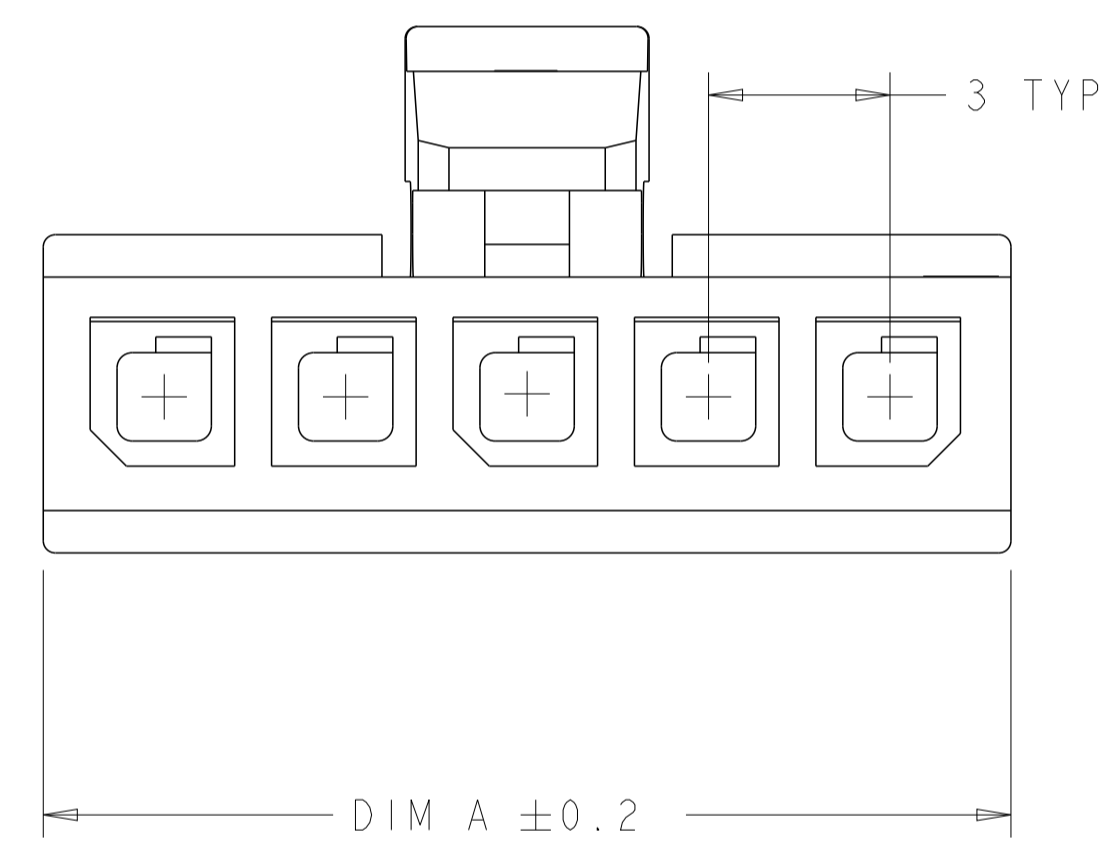


LOC		DIST		REVISIONS			
P	LTN	DESCRIPTION	DATE	DWN	APVD		
D		REVISED PER ECO-17-000100	17MAR2017	CX	DZ		
D1		REVISED PER ECR-18-004185	15MAY2018	JB	DZ		
D2		REVISED PER ECR-18-011946	10SEP2018	JB	DZ		
D3		REVISED PER ECR-18-014249	26SEP2018	JB	DZ		



- △1 CIRCUIT 1 IDENTIFIER, LOCATED APPROXIMATELY AS SHOWN.
- △2 LAST CIRCUIT IDENTIFIER, LOCATED APPROXIMATELY AS SHOWN.
- △3 MATERIAL PA66/6 UL94-V0. COLOR - BLACK
- △4 PRELIMINARY MATERIAL PA66 UL94-V0 GW. COLOR - NATURAL
- △5 MATERIAL ID ">PA<" LOCATED IN APPROX AREA SHOWN, APPROX 0.01 HIGH.
- △6 PRELIMINARY PART NUMBER NOT RELEASED FOR PRODUCTION



OBSOLETE	444.06	13	4	2-1445022-4
OBSOLETE	363.34	10	3	2-1445022-3
OBSOLETE	282.61	7	2	2-1445022-2
△3	1091.66	37	12	1-1445022-2
	1011.3	34	11	1-1445022-1
	929.64	31	10	1-1445022-0
	847.19	28	9	1445022-9
	768.32	25	8	1445022-8
	686.23	22	7	1445022-7
	605.73	19	6	1445022-6
	525.93	16	5	1445022-5
	444.06	13	4	1445022-4
	363.34	10	3	1445022-3
282.61	7	2	1445022-2	
REMARK	VOLUME mm <sup>3</sup>	DIM A	NO OF POS.	PART NO.

THIS DRAWING IS A CONTROLLED DOCUMENT. DWN R. WHITAKER 14AUG2001  
 CHK C. JONES 14AUG2001  
 APVD C. JONES 14AUG2001

**STE** TE Connectivity

NAME: RECEPTACLE HOUSING, 2 TO 12 POSITION, SINGLE ROW, MICRO MATE-L-LOK(TM)

PRODUCT SPEC: 108-1836  
 APPLICATION SPEC: 114-13000

SIZE: A1 CAGE CODE: 100779 DRAWING NO: 1445022 RESTRICTED TO: -

WEIGHT: -  
 CUSTOMER DRAWING SCALE: 8:1 SHEET 1 OF 1 REV: D3