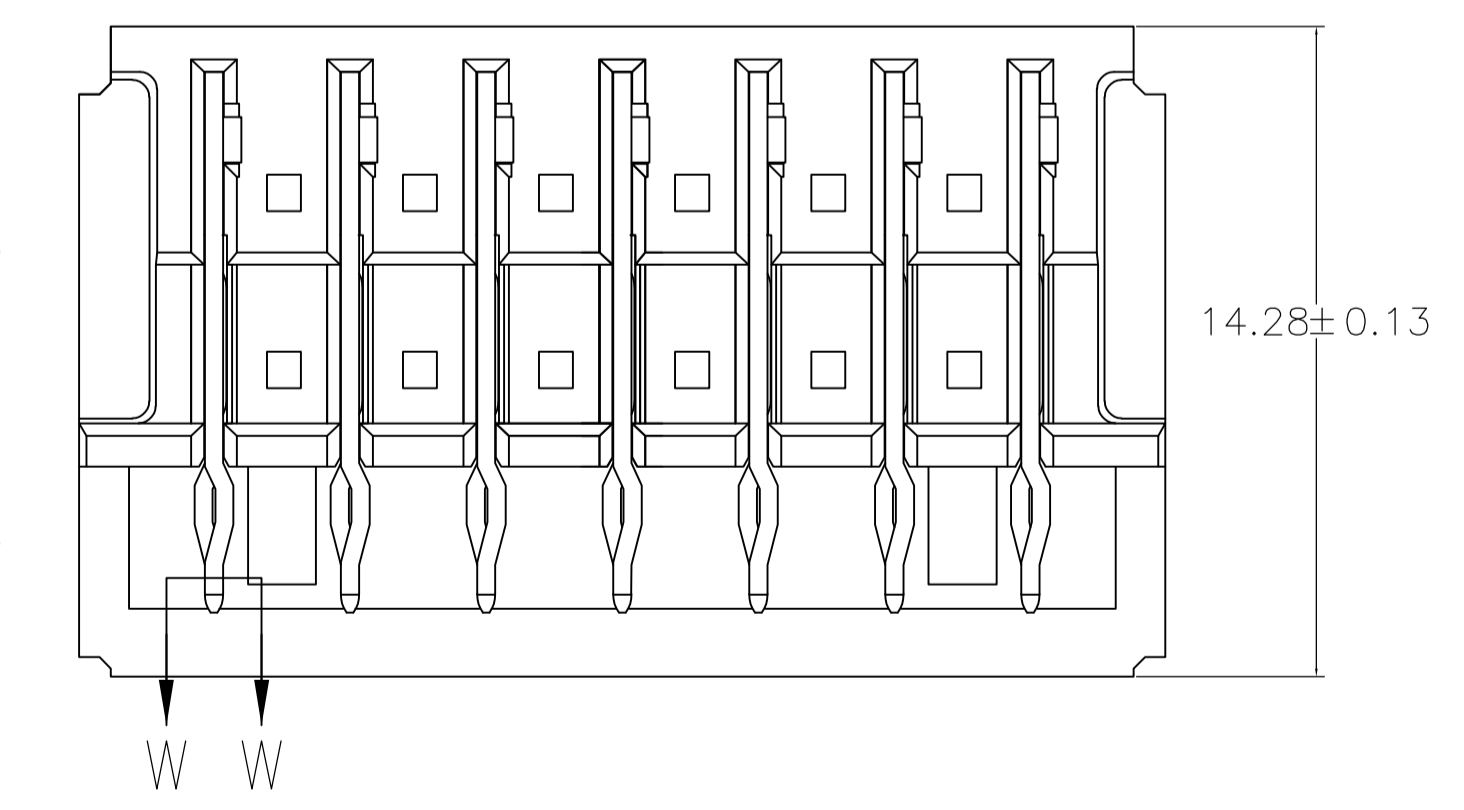
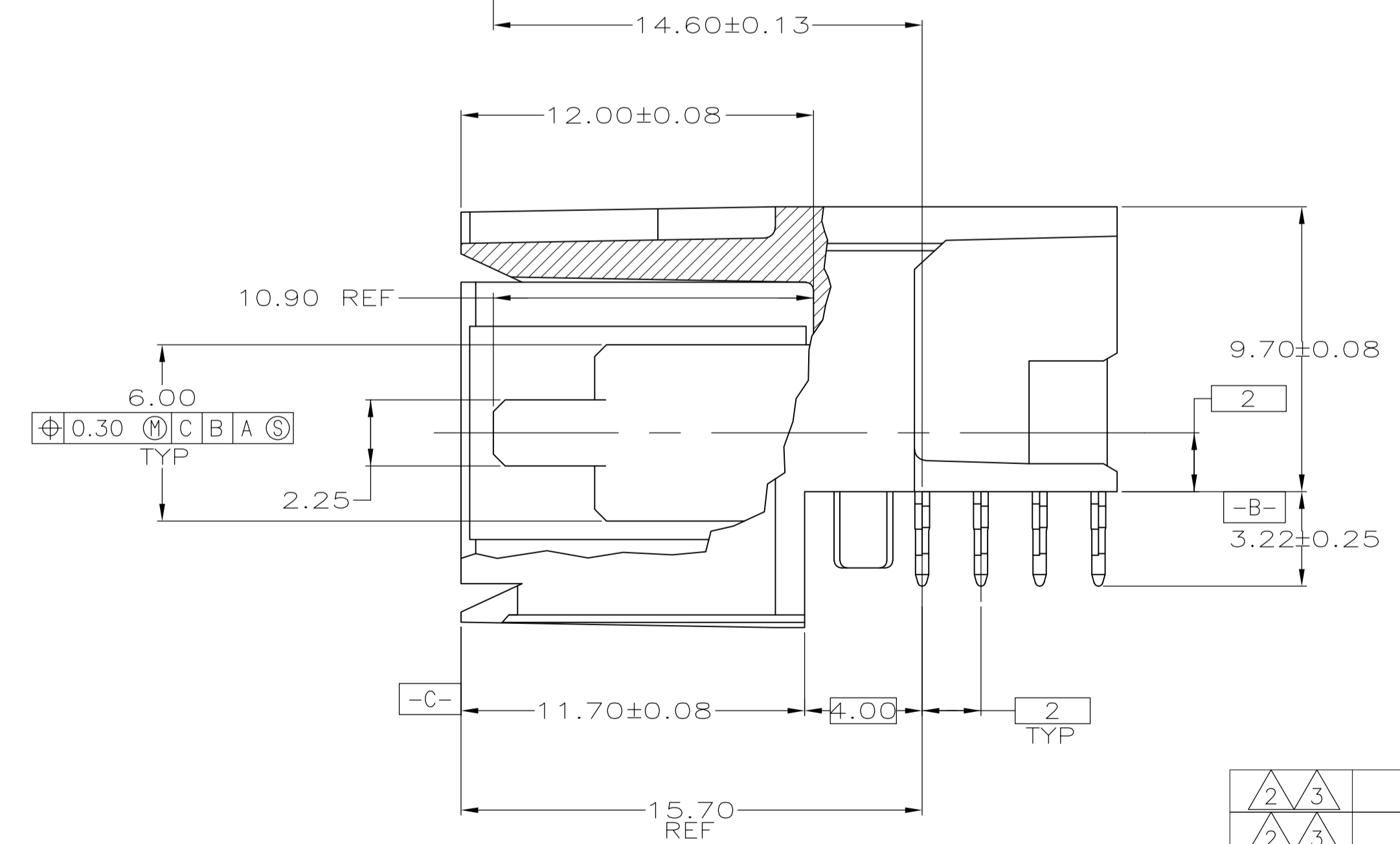
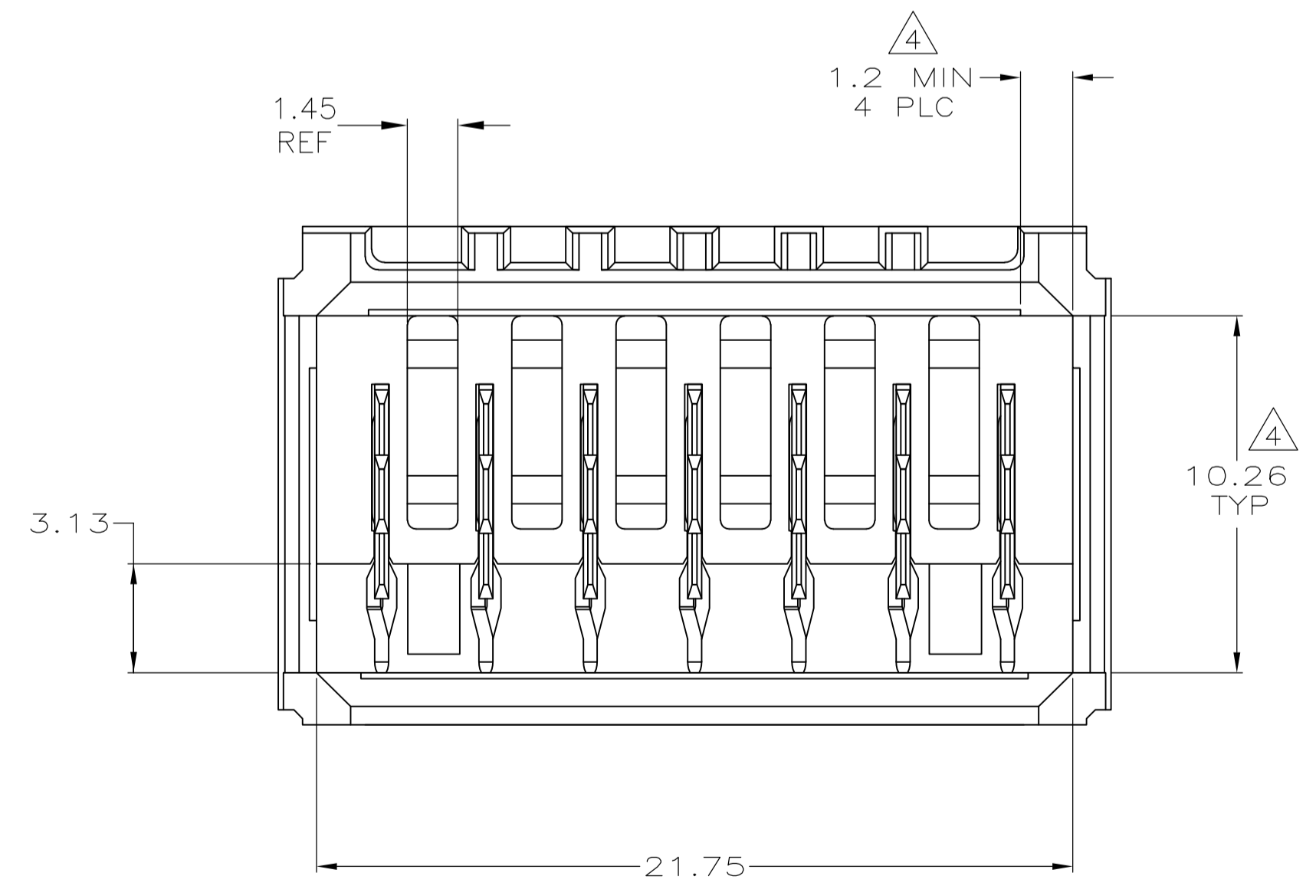
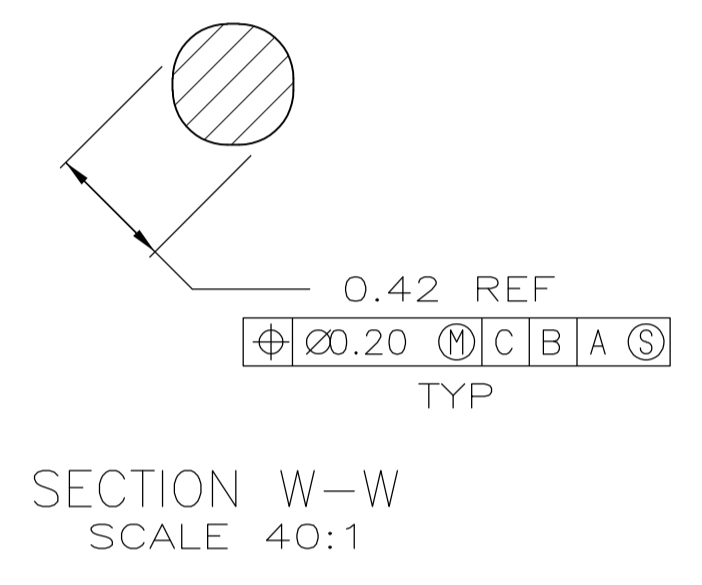


- 1 MATERIAL: HOUSING: POLYESTER. COLOR: GRAY. UL 94V-0. CONTACT: PHOSPHOR BRONZE.
- 2 FINISH: CONTACT MATING AREA: 1.27µm MIN GOLD OR 0.08µm MIN GOLD OVER 0.76µm MIN PALLADIUM-NICKEL. ACTION PIN AREA: 0.5µm MIN TIN PLATE. ALL OVER 1.27µm MIN NICKEL UNDERPLATE.
- 3 FINISH: CONTACT LUBRICATION WITH BELLCORE APPROVED LUBRICANT. TECHNICAL REFERENCE: GR-1217-CORE, ISSUE 1, NOVEMBER 1995.
- 4 THE 10.26±0.13 DIMENSION APPLIES IN THIS AREA.
- 5 REFERENCE APPLICATION SPEC 114-1103 FOR RECOMMENDED PLATED THRU HOLE DIAMETER AND PLATING THICKNESS.
- 6. CURRENT RATING 10A/CONTACT PER PRODUCT SPEC 108-1651.



FINISH	2/3	A	B	C,D,E,F,G	7	5646957-2
	2/3	A,B,C,D,E,F,G	-	-	7	5646957-1
		POSITIONS LOADED WITH 10.90 REF CONTACTS	POSITIONS LOADED WITH 9.30 REF CONTACTS	POSITIONS LOADED WITH 7.68 REF CONTACTS	NO OF LOADED POSITIONS	PART NUMBER

THIS DRAWING IS A CONTROLLED DOCUMENT.

DIMENSIONS: mm	TOLERANCES UNLESS OTHERWISE SPECIFIED:	DIN B CARBO 150EC04	Tyco Electronics Corporation Harrisburg, Pa 17105-3608
0 PLC ± -	1 PLC ± -	150EC04	
2 PLC ± 0.13	3 PLC ± -	150EC04	ASSEMBLY, RIGHT ANGLE HEADER, W/ RETENTION PEGS, UNIVERSAL POWER MODULE
4 PLC ± -	ANGLES ± -		SIZE: A1 00779 C=5646957
MATERIAL	FINISH	WEIGHT	CUSTOMER DRAWING SCALE: 6:1 SHEET 1 OF 1 REV D

# Mouser Electronics

Authorized Distributor

Click to View Pricing, Inventory, Delivery & Lifecycle Information:

[TE Connectivity:](#)

[5646957-1](#)