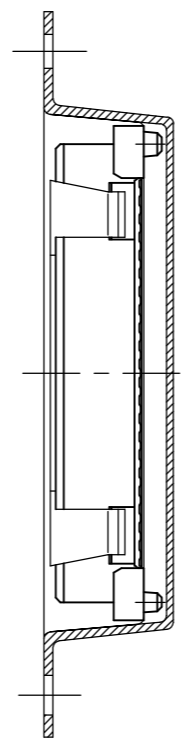
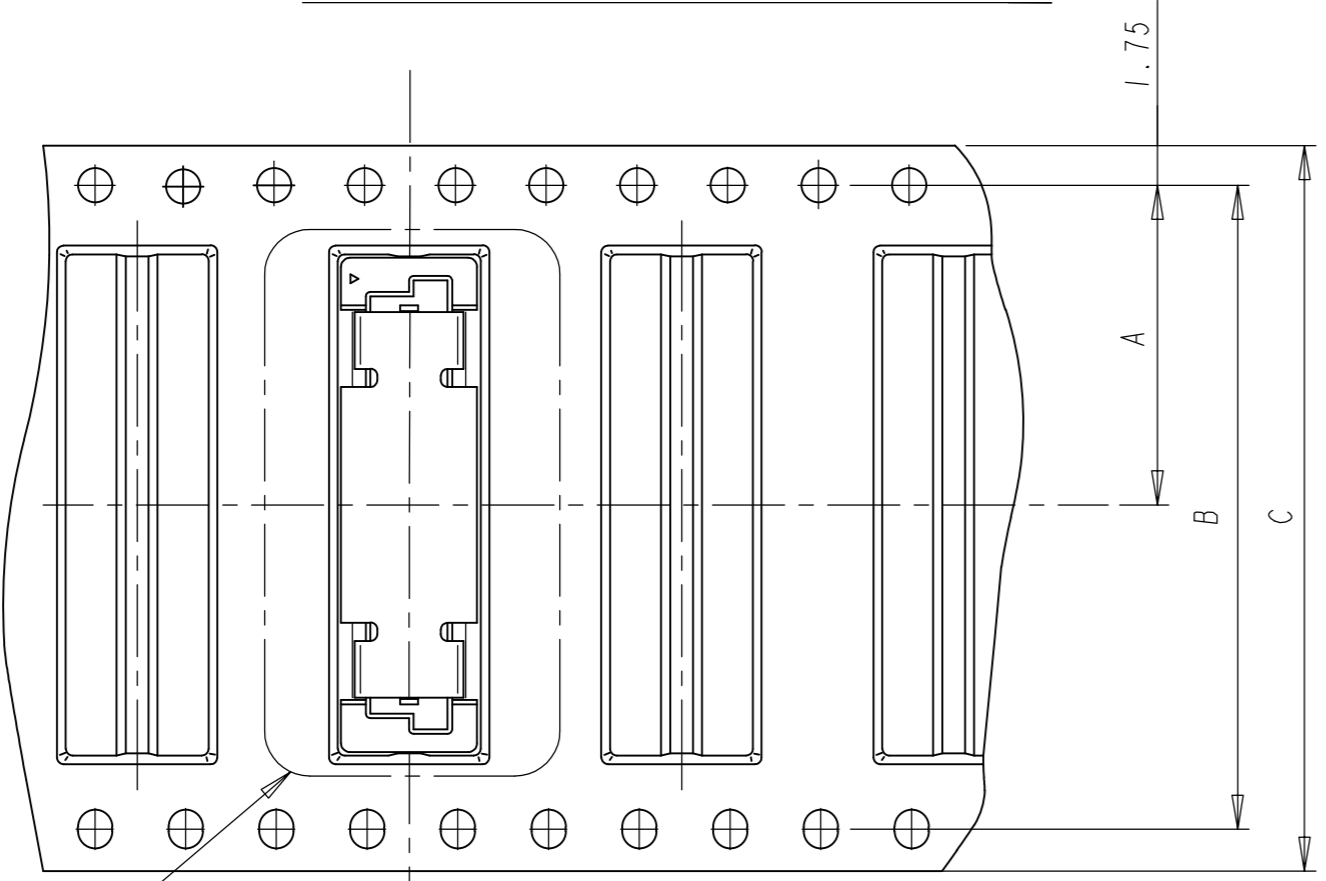


THIS DRAWING IS UNPUBLISHED. RELEASED FOR PUBLICATION
 © COPYRIGHT - TE Connectivity ALL RIGHTS RESERVED.

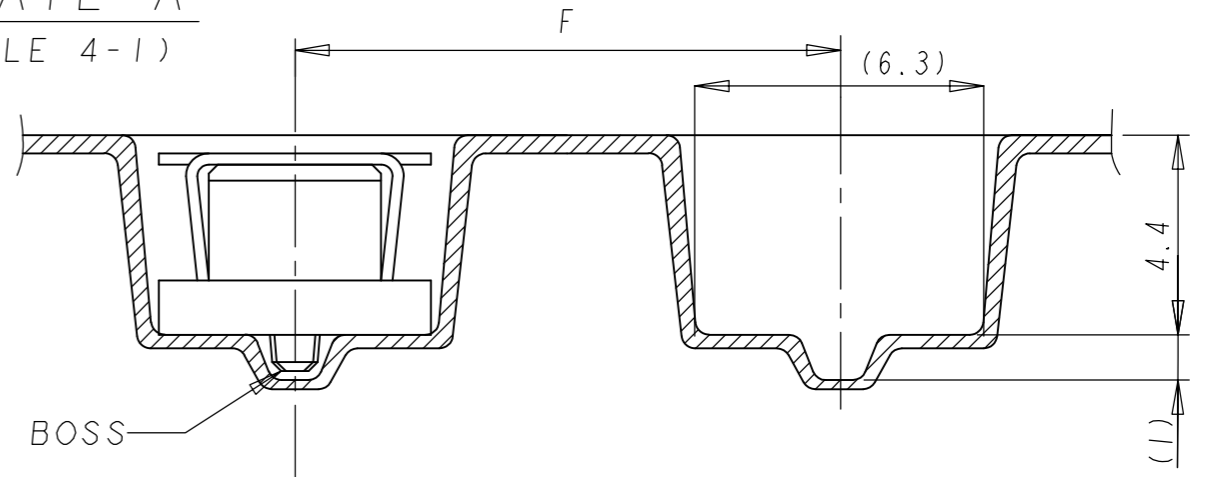
LOW HALOGEN

REVISIONS					
P	LTR	DESCRIPTION	DATE	DWN	APVD
P		ADD HALOGEN FREE MARK	02APR2015	I.T	W.H
R		REVISED PER ECO-17-005566	07AUG2017	B.J	S.Y
R1		REVISED PER ECO-17-018044	09SEP2017	R.L	H.L

DIRECTION OFF TOP OF REEL

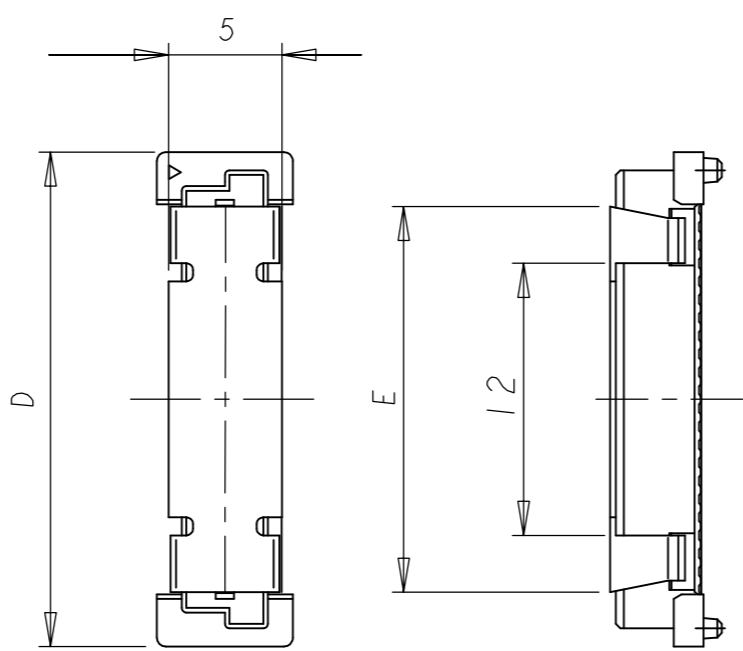
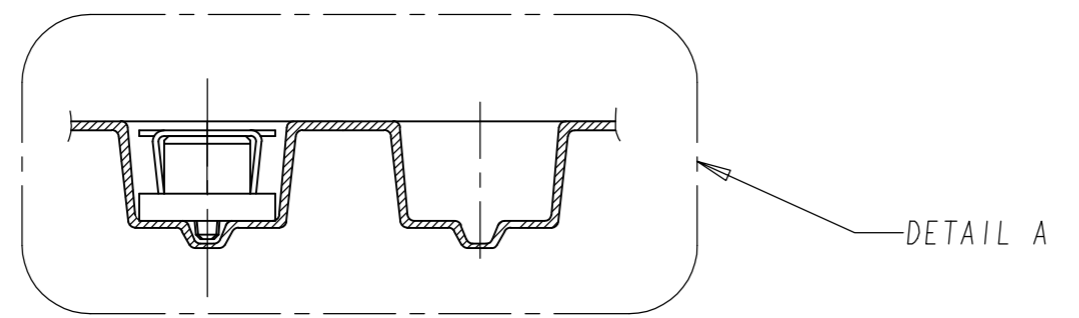


DETAIL A
(SCALE 4-1)



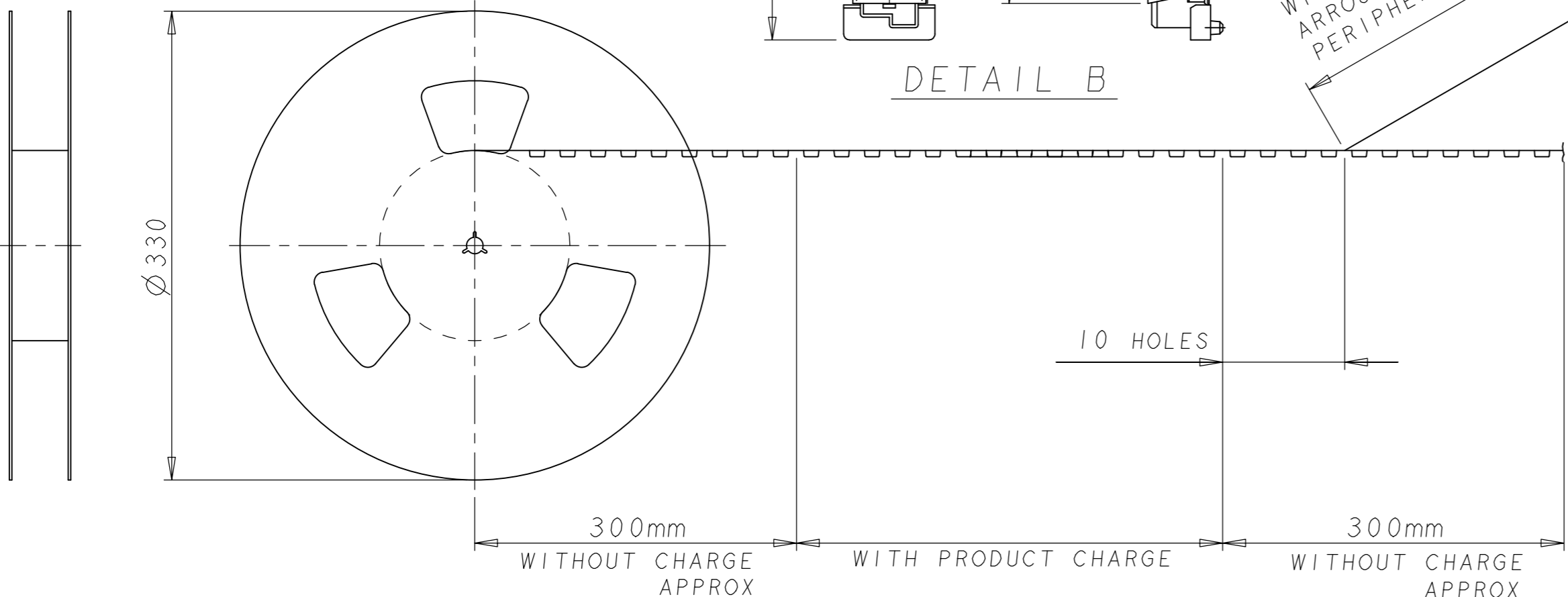
- NOTES:
- 1 MATERIAL: HOUSING: L.C.P (HIGH TEMP THERMOPLASTIC UL 94V-0, NATURAL.
CONTACT: BERYLIUM COPPER.
 - 2 FINISH: CONTACT AREA: 0.0002 MIN GOLD ON
0.0013 MIN ALL OVER NICKEL.
SOLDERING AREA: 0.002 MIN MATTE TIN.
 - 3. POSITION SERIES: SEE TABLE.
 - 4. CONN STACK HEIGHT COMBINE OF PLUG "Y"H VS REC "X"H.
STACK HEIGHT = Y + X - 5
 - 5 FINISH: CONTACT AREA: 0.00038 MIN GOLD ON
0.0013 MIN ALL OVER NICKEL.
SOLDERING AREA: 0.002 MIN MATTE TIN.
 - 6 CONNECTOR WITH BLACK COLOR AND POLYIMIDE COVER
 - 7 FINISH: CONTACT AREA: GOLD FLASH
0.0013 MIN ALL OVER NICKEL.
SOLDERING AREA: 0.002 MIN MATTE TIN.

DETAIL B



DETAIL B

WINDING THE COVER TAPE
AROUND THE OUTER
PERIPHERY IN A TURN.



(R1)

STEEL COVER

FINISH	QTY	F	E	D	C	B	A	POS	PART NO.
GOLD FLASH -Sn 7				69.8	88	84.4	42.2	160	9 - -8
				53.8	72	68.4	34.2	120	9 - -5
	700	16		45.8	72	68.4	34.2	100	9 - -4
				37.8	56	52.4	26.2	80	9 - -3
15Au-Sn 5				29.8	44	40.4	20.2	60	9 - -2
				21.8	32	28.4	14.2	40	9 - -1
	1000	12	17	21.8	32	28.4	14.2	40	9 - -1
				85.8	104	100.4	50.2	200	2 - -0
08Au-Sn 2				77.8	104	100.4	50.2	180	1 - -9
				70.1	88	84.4	42.2	160	1 - -8
				61.8	88	84.4	42.2	140	1 - -6
				53.8	72	68.4	34.2	120	1 - -5
FINISH	700	16		45.8	72	68.4	34.2	100	1 - -4
				37.8	56	52.4	26.2	80	1 - -3
				29.8	44	40.4	20.2	60	1 - -2
	1000	12	17	21.8	32	28.4	14.2	40	1 - -1
			85.8	104	100.4	50.2	200	1 - -0	
			77.8	104	100.4	50.2	180	1 - -9	
			69.8	88	84.4	42.2	160	1 - -8	
			61.8	88	84.4	42.2	140	1 - -6	
			53.8	72	68.4	34.2	120	1 - -5	
			45.8	72	68.4	34.2	100	1 - -4	
			37.8	56	52.4	26.2	80	1 - -3	
			29.8	44	40.4	20.2	60	1 - -2	
			21.8	32	28.4	14.2	40	1 - -1	
									5177985-1

THIS DRAWING IS A CONTROLLED DOCUMENT. DWN SK LEAW 17MAY2004
 CHK ERIC TNG
 APVD SF LEONG
 PRODUCT SPEC 108-5390
 APPLICATION SPEC 114-5254
 MATERIAL - FINISH - WEIGHT 0

TE TE Connectivity
 RECEPTACLE ASSEMBLY 5H TYPE
 (0.5MM BOSS LENGTH) FOR 0.8FH
 ON TAPING

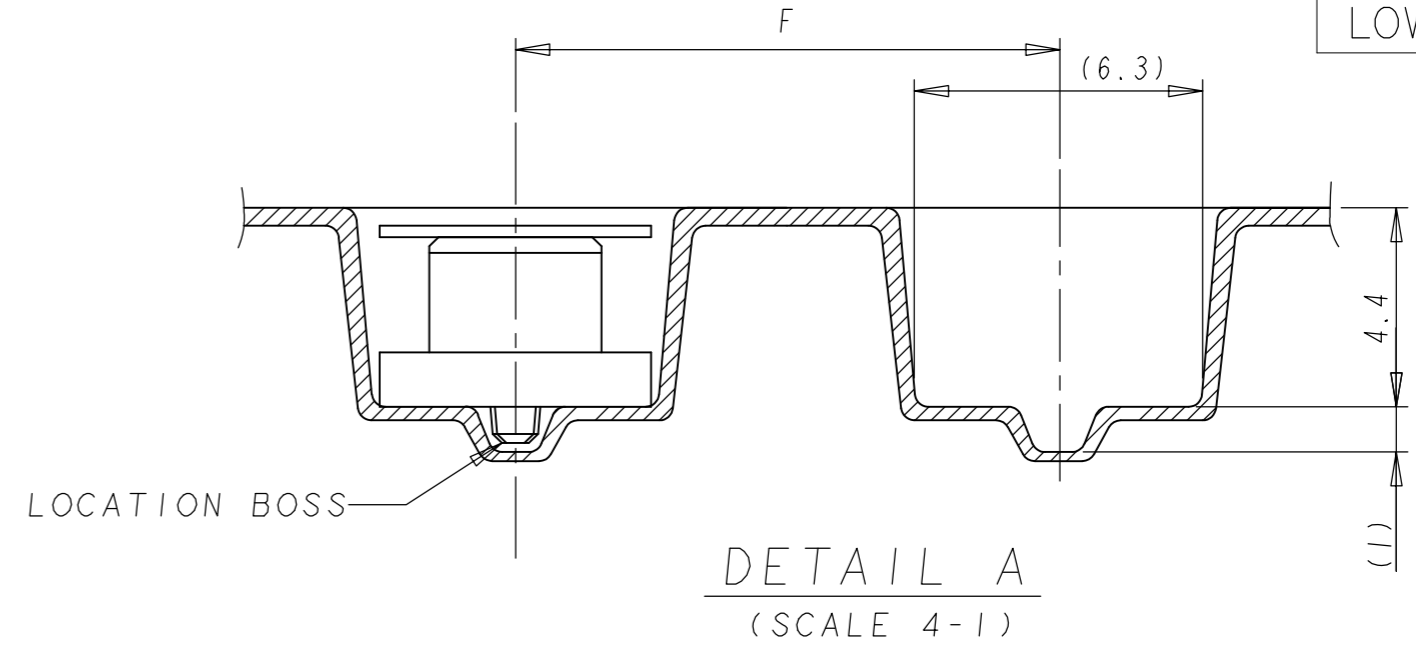
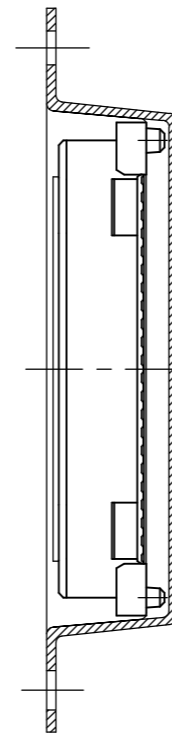
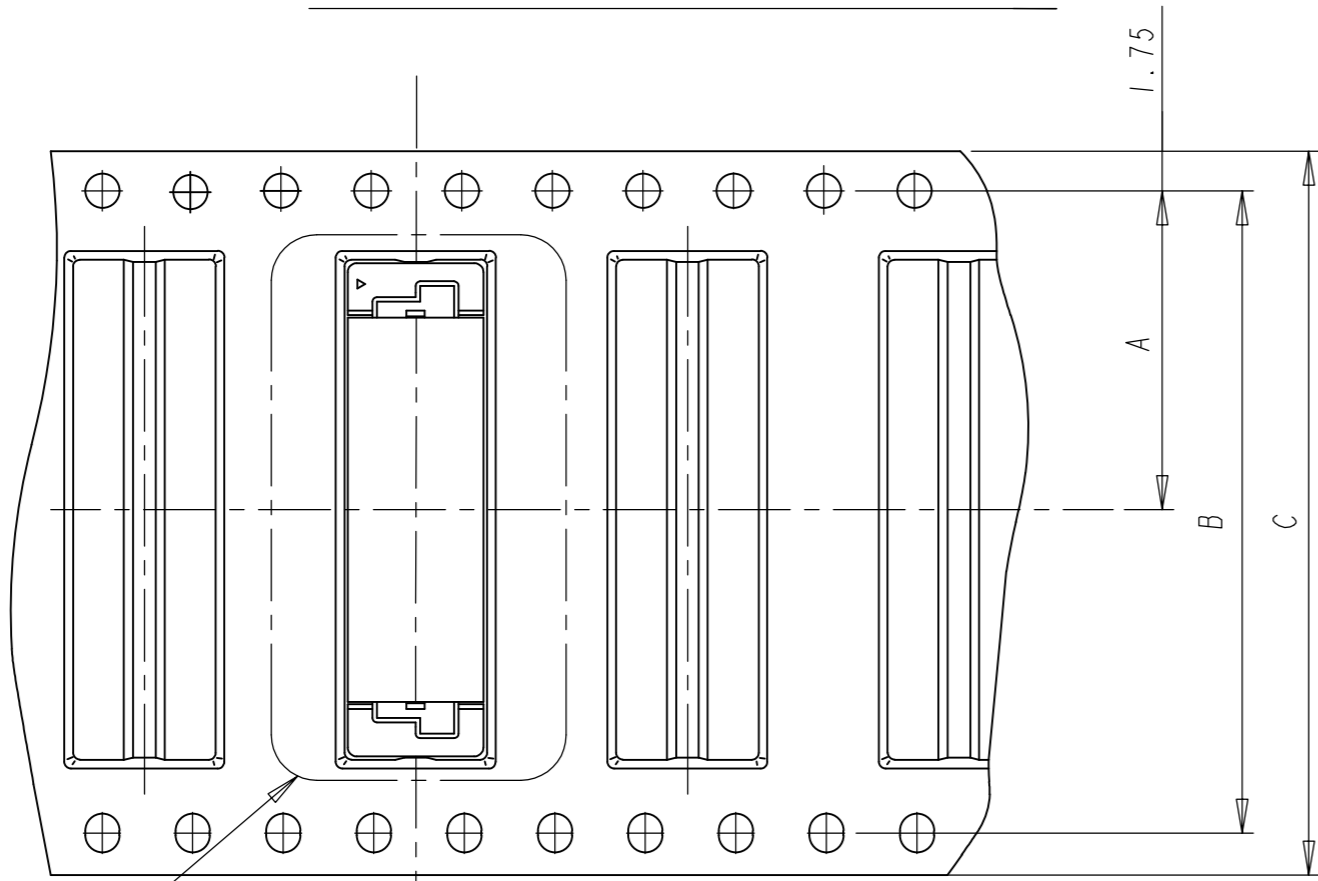
SIZE A2 CAGE CODE 00779 DRAWING NO C=5177985 RESTRICTED TO -
 SCALE 1:1 SHEET 1 OF 3 REV R1

THIS DRAWING IS UNPUBLISHED. RELEASED FOR PUBLICATION
 © COPYRIGHT - TE Connectivity ALL RIGHTS RESERVED.

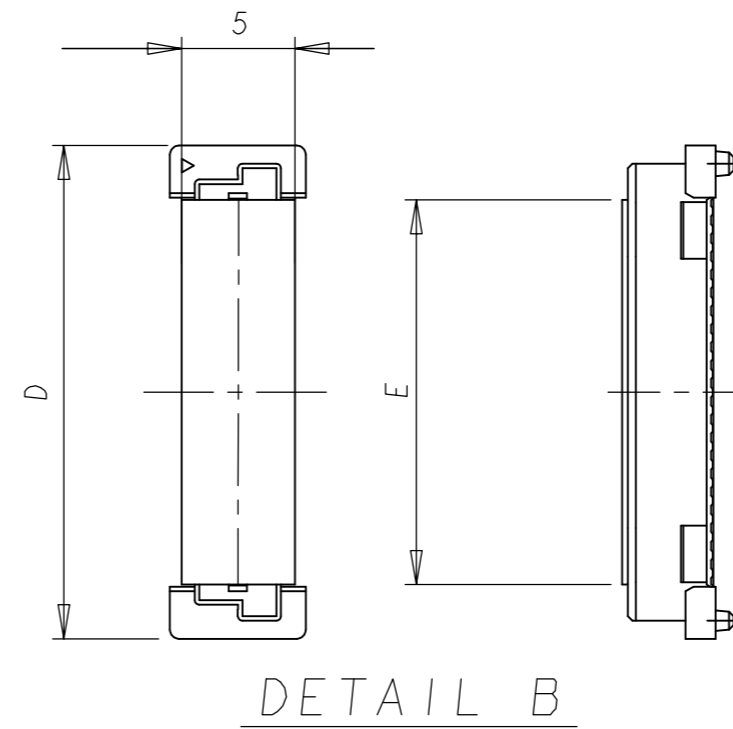
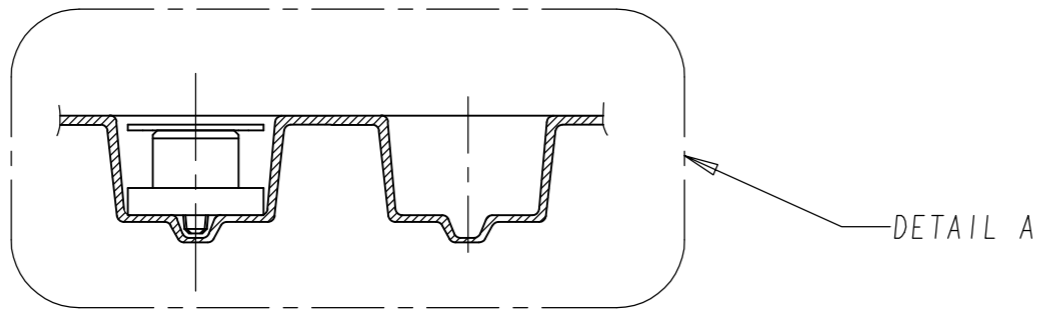
REVISIONS				
P	LTR	DESCRIPTION	DATE	APVD
-	-	SEE SHEET 1	-	-

DIRECTION OFF TOP OF REEL

LOW HALOGEN



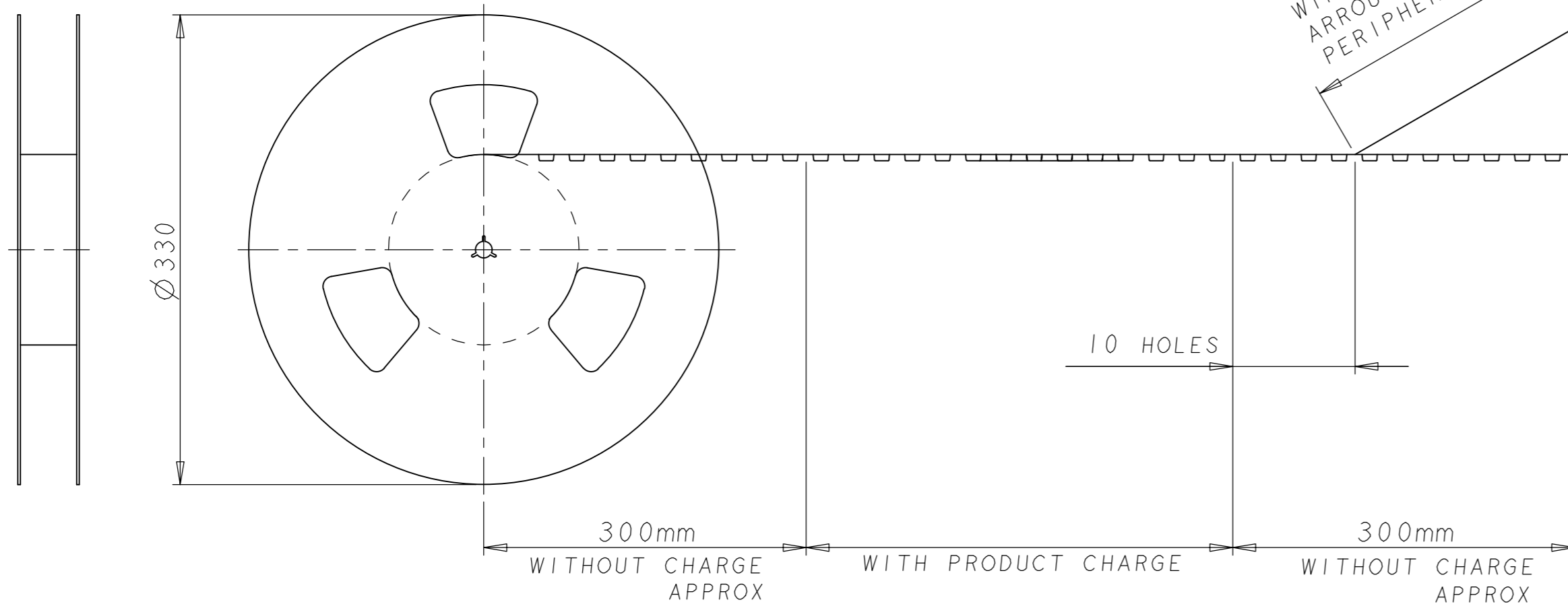
DETAIL B



DETAIL B

POLYIMIDE COVER

WINDING THE COVER TAPE
 AROUND THE OUTER
 PERIPHERY IN A TURN.



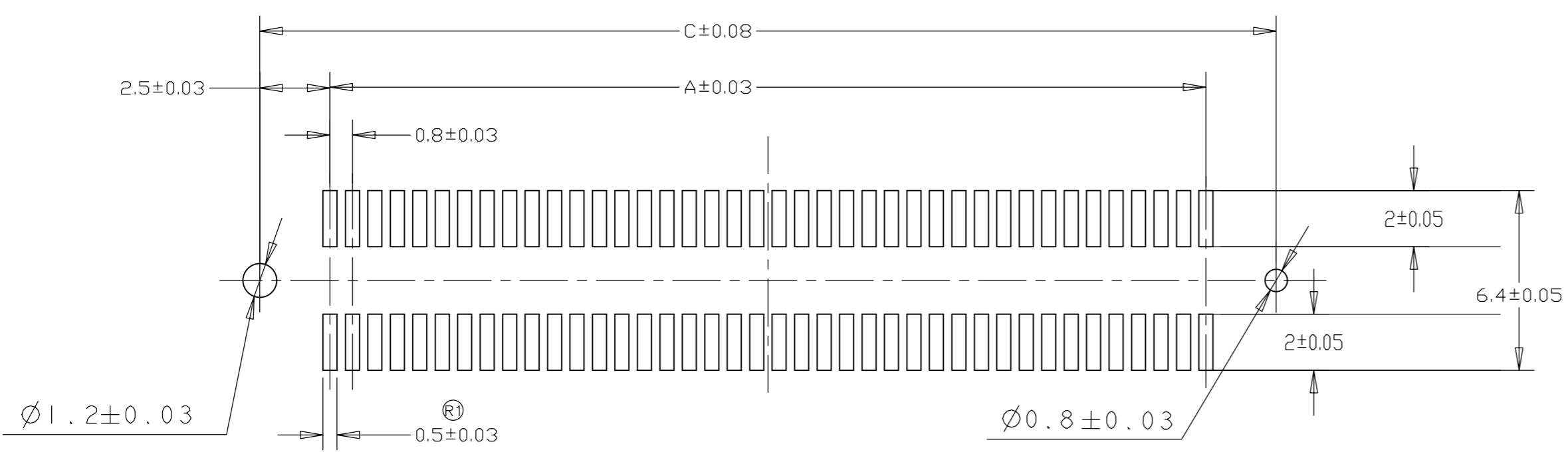
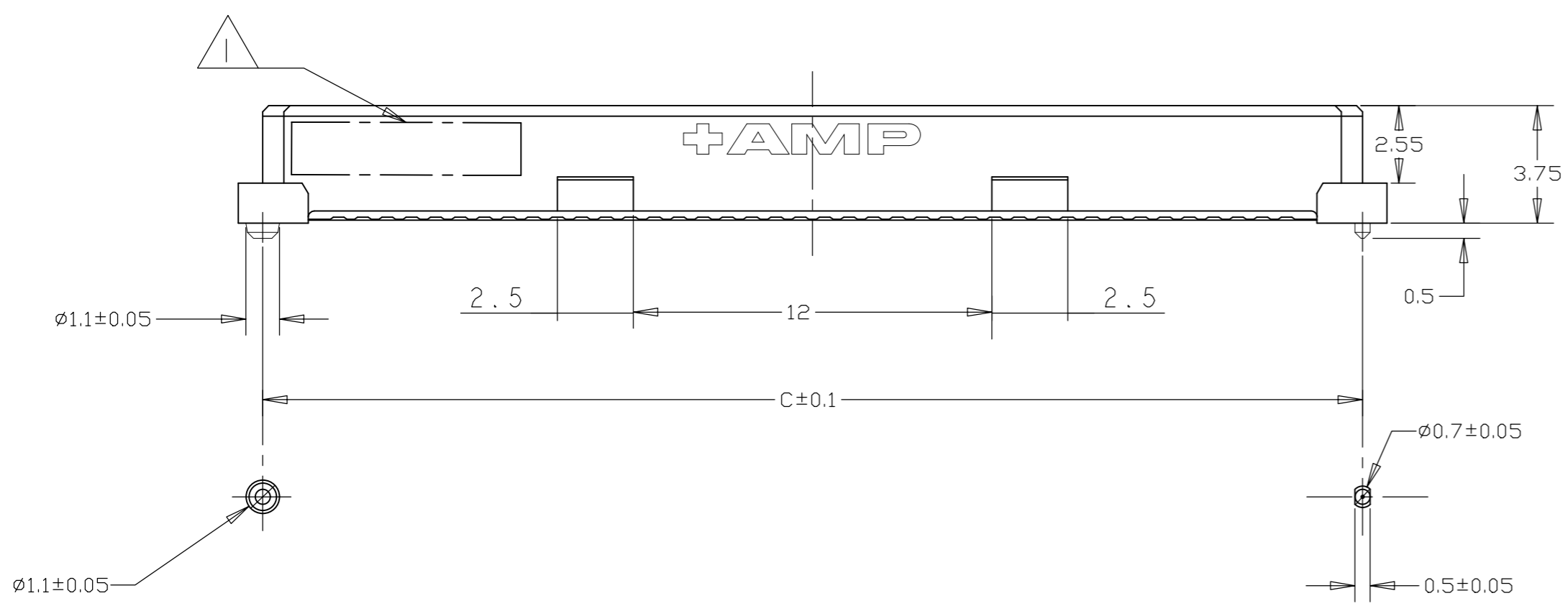
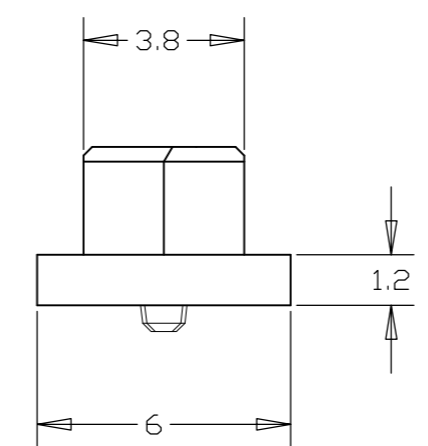
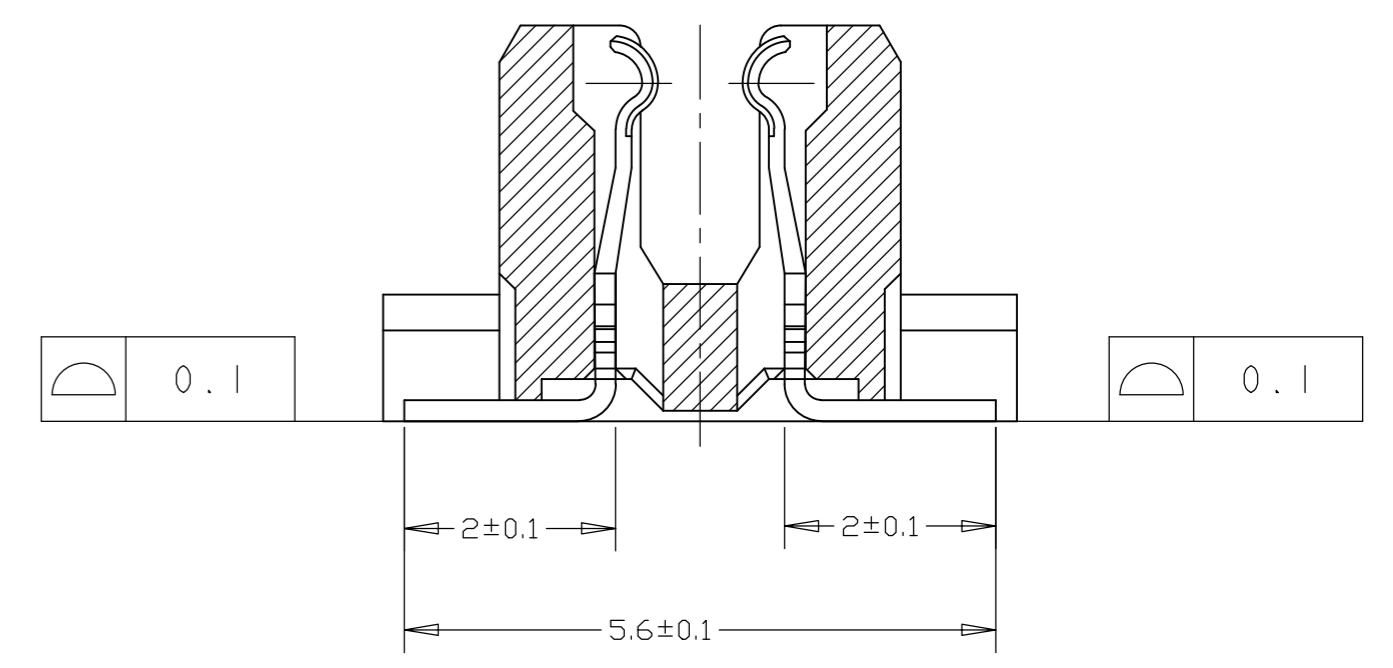
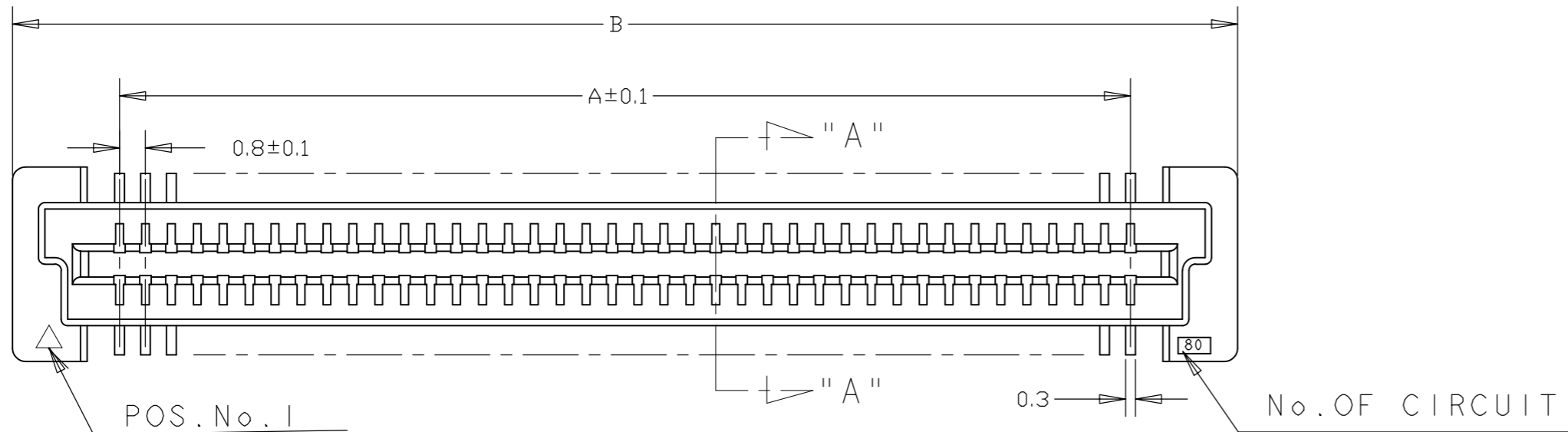
6	2	700	16	11	61.8	88	84.4	42.2	140	9-5177985-6
FINISH	QTY	F	E	D	C	B	A	POS	PART NO.	

THIS DRAWING IS A CONTROLLED DOCUMENT.		DWN SK LEAW 17MAY2004	STE TE Connectivity	
DIMENSIONS: mm		CHK ERIC TNG		
TOLERANCES UNLESS OTHERWISE SPECIFIED:		APVD SF LEONG	RECEPTACLE ASSEMBLY 5H TYPE (0.5MM BOSS LENGTH) FOR 0.8FH ON TAPING	
0 PLC ± -	1 PLC ± 0.3	PRODUCT SPEC 108-5390	SIZE A2	CAGE CODE 00779
2 PLC ± 0.25	3 PLC ± 0.2	APPLICATION SPEC 114-5254	DRAWING NO C-5177985	RESTRICTED TO -
4 PLC ± -	ANGLES ± -	MATERIAL -	WEIGHT -	SCALE 1:1
CUSTOMER DRAWING			SHEET 2 of 3	REV R1

THIS DRAWING IS UNPUBLISHED. RELEASED FOR PUBLICATION
 © COPYRIGHT - TE Connectivity ALL RIGHTS RESERVED.

REVISIONS					
P	LTR	DESCRIPTION	DATE	DWN	APVD
-	-	SEE SHEET 1	-	-	-

LOW HALOGEN



RECOMMENDED P.C. BOARD LAYOUT

CONNECTOR ONLY

68.2	69.8	63.2	160	9 -	-8
52.2	53.8	47.2	120	9 -	-5
44.2	45.8	39.2	100	9 -	-4
36.2	37.8	31.2	80	9 -	-3
28.2	29.8	23.2	60	9 -	-2
20.2	21.8	15.2	40	9 -	-1
84.2	85.8	79.2	200	2 -	-0
76.2	77.8	71.2	180	1 -	-9
68.2	69.8	63.2	160	1 -	-8
60.2	61.8	55.2	140	1 -	-6
52.2	53.8	47.2	120	1 -	-5
44.2	45.8	39.2	100	1 -	-4
36.2	37.8	31.2	80	1 -	-3
28.2	29.8	23.2	60	1 -	-2
20.2	21.8	15.2	40	1 -	-1
84.2	85.8	79.2	200	1 -	-0
76.2	77.8	71.2	180		-9
68.2	69.8	63.2	160		-8
60.2	61.8	55.2	140		-6
52.2	53.8	47.2	120		-5
44.2	45.8	39.2	100		-4
36.2	37.8	31.2	80		-3
28.2	29.8	23.2	60		-2
20.2	21.8	15.2	40		-1
20.2	21.8	15.2	40		5177985-1
C	B	A	POS	PART NO.	

THIS DRAWING IS A CONTROLLED DOCUMENT.		DWN SK LEAW 17MAY2004	TE Connectivity RECEPTACLE ASSEMBLY 5H TYPE (0.5MM BOSS LENGTH) FOR 0.8FH ON TAPING		
DIMENSIONS: mm		CHK ERIC TNG			
TOLERANCES UNLESS OTHERWISE SPECIFIED:		PRODUCT SPEC 108-5390		APPLICATION SPEC 114-5254	RESTRICTED TO
0 PLC ± - 1 PLC ± 0.3 2 PLC ± 0.25 3 PLC ± 0.2 4 PLC ± - ANGLES ± -		WEIGHT -	SIZE A2	CAGE CODE 00779	DRAWING NO. C=5177985
MATERIAL -		CUSTOMER DRAWING		SCALE 1:1	SHEET 3 OF 3

Mouser Electronics

Authorized Distributor

Click to View Pricing, Inventory, Delivery & Lifecycle Information:

[TE Connectivity:](#)

[5177985-2](#)