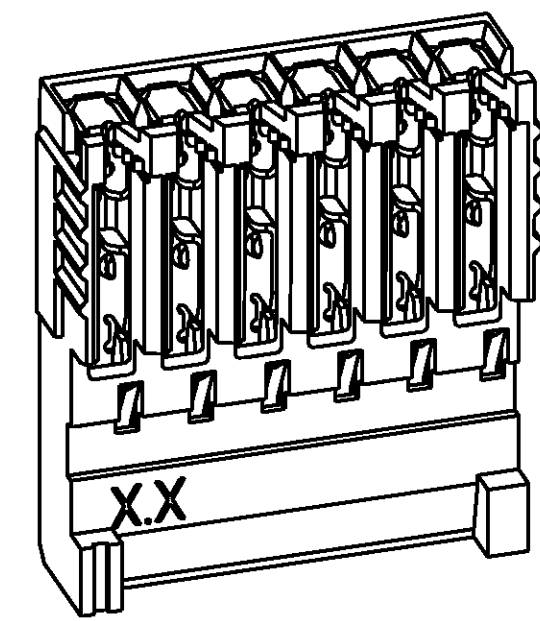
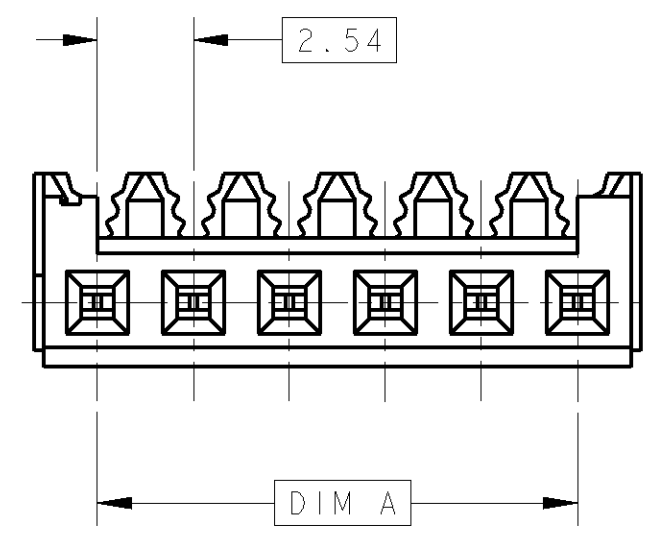


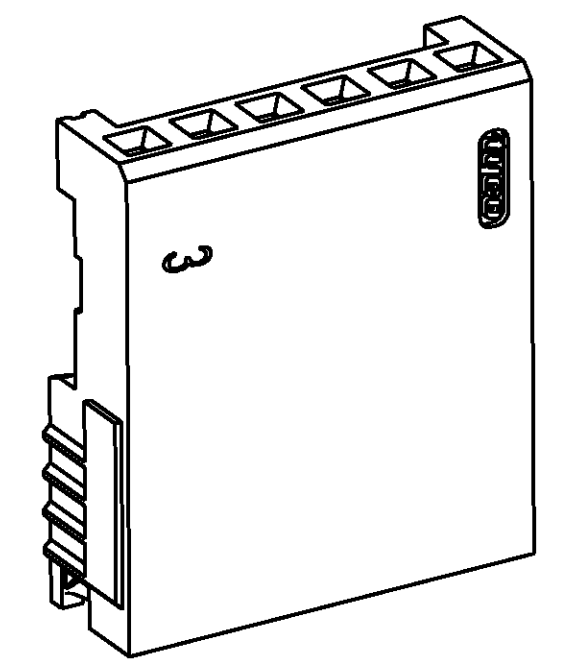
THIS DRAWING IS UNPUBLISHED. DIFFUSION RESTREINTE
 RELEASED FOR PUBLICATION LIBRE A LA DIFFUSION
 ALL RIGHTS RESERVED. TOUS DROITS RESERVES

| | |
|---|-----------------------------------|
| FILS ADMISSIBLES (ACCEPTABLES WIRES) | |
| JAUGE (AWG) SECTION / 7 BRINS (7 STRANDS) | 26-24 0.12-0.22mm ² |
| ISOLANT: Ø MAX / MATIERE (INSUL.: Ø MAX / MAT'L) | Ø 1.2 / PVC |

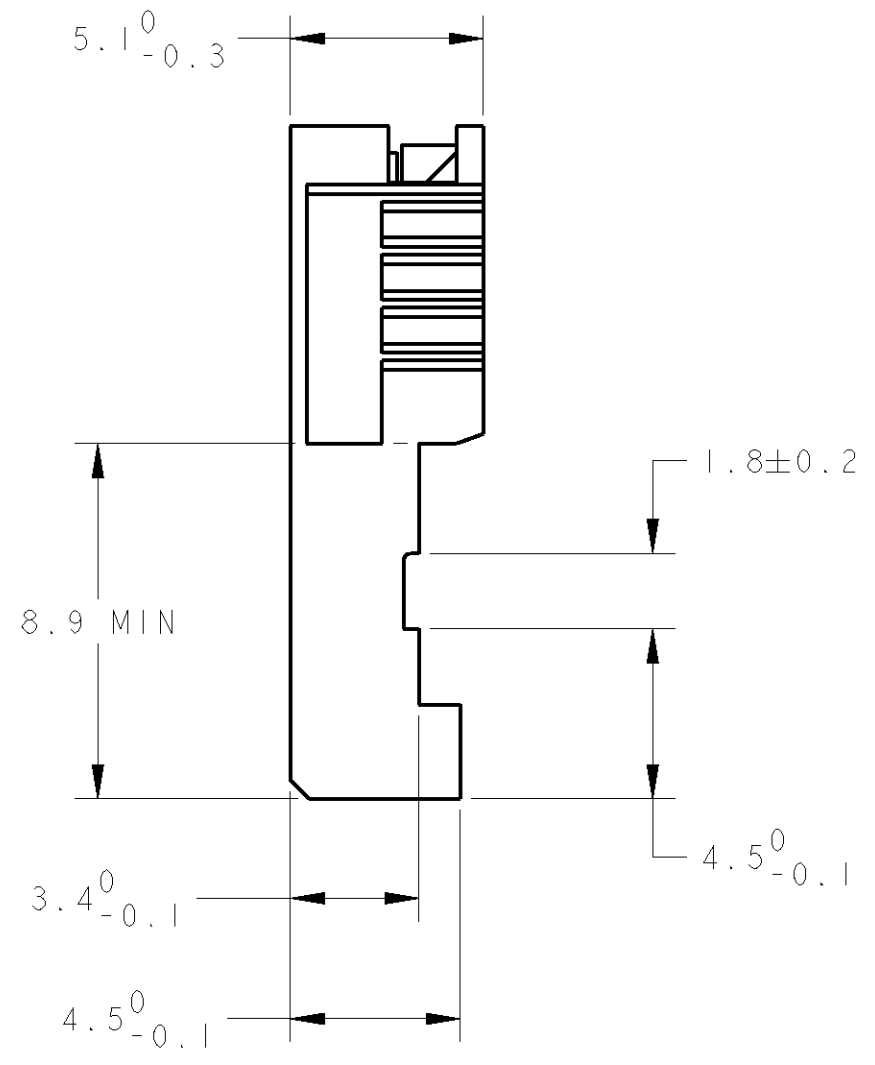
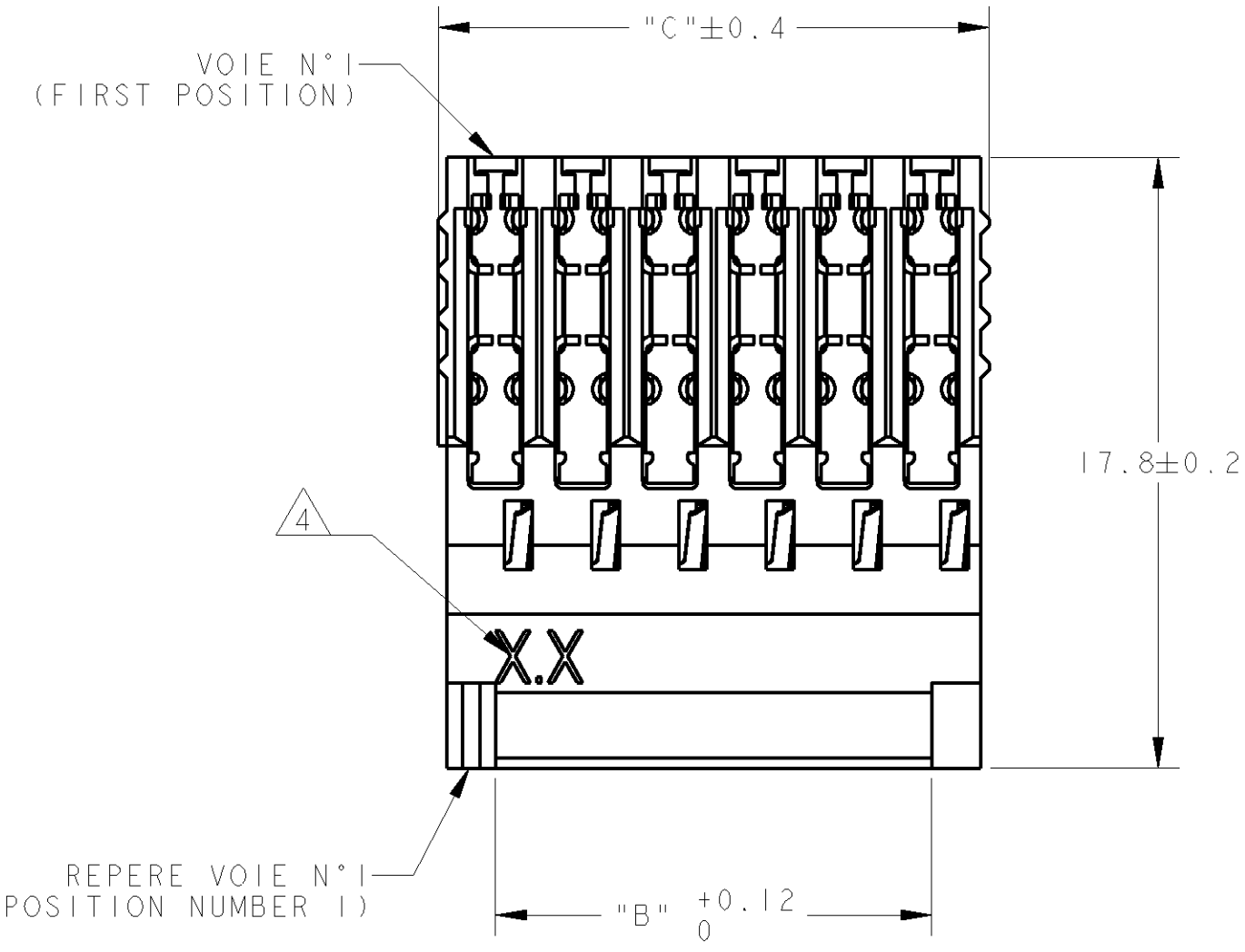
| | | | | | | |
|-----|------|--------------------------|-----|---------|-----------|-----------|
| LOC | DIST | REVISIONS | | | | |
| F | 7 | P | LTR | DATE | DWN DESS. | APVD APP. |
| | | D1 | | 27APR11 | RK | HMR |
| | | REVISÉ PER ECO-11-005150 | | | | |



ECHELLE 4:1 SCALE



ECHELLE 4:1 SCALE



- 1 CES CONNECTEURS SONT PREVUS POUR ETRE ACCOUPLES AVEC LES EMBASES 'HE1402' SIMPLE RANGEE (THESE CONNECTEURS ARE DESIGNED TO BE MATED WITH 'HE1402' HEADERS SINGLE ROW)
- 2 LES REFERENCES SUIVIES D'UN ' * ' SONT LES VERSIONS NORMALISEES SELON LA 'CEI 603-8' (THE PART-NO FOLLOWED BY ' * ' ARE COVERED BY THE INTERNATIONAL STANDARD 'IEC603-8')
- 3 REVETEMENT DES CONTACTS: ETAME (CONTACTS PLATING: TIN)
- 4 "X.X" EST REMPLACÉ PAR LES DEUX DEUXIEME CHIFFRES DU COUPLE DES JAUGES AWG ("X.X" REPLACED BY THE TWO SECOND DIGIT OF AWG RANGE AS DEFINED IN TABLE)
- 5 MATIERES - BOITIER: PBT UL94V0 - CONTACTS: BRONZE PHOSPHOREUX. (MATERIAL - HOUSING : PBT UL94V0 - CONTACTS: PHOSPHOR BRONZE)

| | | | | |
|------------|-------|-----------|----------------------|---|
| 46.52 | 43.18 | 18 | 1-281783-8 | * |
| 38.90 | 35.56 | 15 | 1-281783-5 | * |
| 31.28 | 27.94 | 12 | 1-281783-2 | * |
| 26.20 | 22.86 | 10 | 1-281783-0 | * |
| 21.12 | 17.78 | 8 | 0-281783-8 | * |
| 16.04 | 12.70 | 6 | 0-281783-6 | * |
| 13.50 | 10.16 | 5 | 0-281783-5 | * |
| 10.96 | 7.62 | 4 | 0-281783-4 | * |
| 8.42 | 5.08 | 3 | 0-281783-3 | * |
| 5.88 | 2.54 | 2 | 0-281783-2 | * |
| C | A, B | Nb DE POS | REFERENCES (PART No) | |
| DIMENSIONS | | | | |

| | | | |
|--|--|--|---------------------------|
| DWN/DESSINE 29NOV2000 C. COMBEDOUZON CHK/VERIFIE 29NOV2000 T. CORRIOU APVD/APPROUVE 29NOV2000 Y. PETRONIN | | TE Connectivity | |
| DIMENSIONS: mm | | NAME/TITRE HE 1402 PLUG, 180 deg IDC SINGLE ROW | |
| TOLERANCES UNLESS OTHERWISE SPECIFIED: (SUIV NB DE DECIMALES) 0 PLC/DEC: ± 1 PLC/DEC: ±0.3 2 PLC/DEC: ± 3 PLC/DEC: ± 4 PLC/DEC: ± ANGLES ±5° | | PRODUCT SPEC SPEC, PRODUIT 108-15053 APPLICATION SPEC SPEC, APPLICATION 114-15031 | |
| MATERIAL/MATIERE | | WEIGHT MASSE APPROX. - | SIZE FORMAT A2 |
| FINISH/FINITION | | CUSTOMER DRAWING /PLAN CLIENT | UNIQUEMENT POUR REFERENCE |
| | | SCALE ECHELLE 5:1 | SHEET FEUILLE |
| | | OF DE | REV D1 |

Mouser Electronics

Authorized Distributor

Click to View Pricing, Inventory, Delivery & Lifecycle Information:

[TE Connectivity:](#)

[281783-4](#)