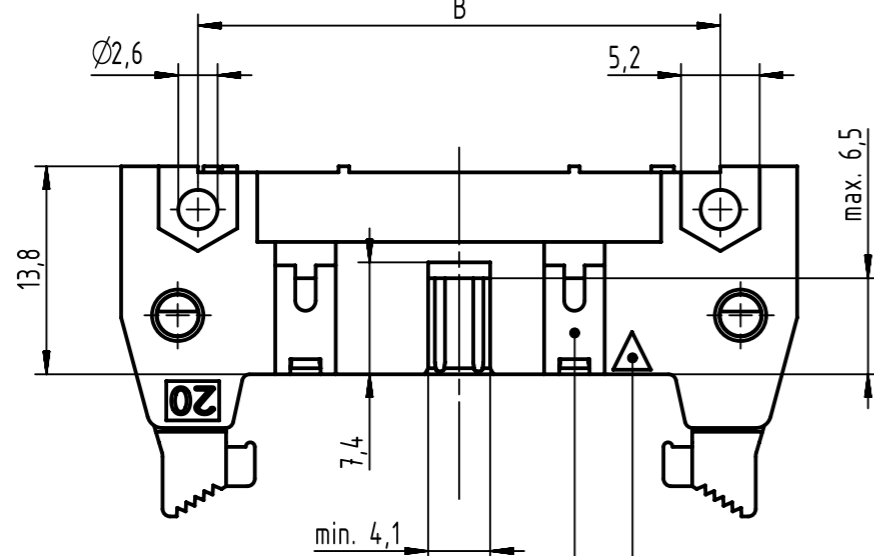
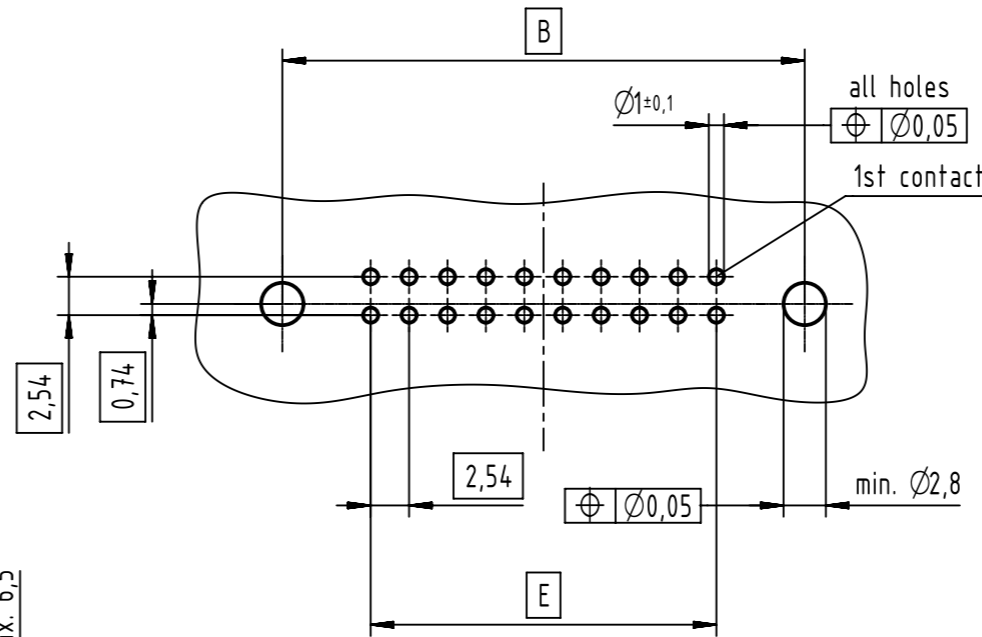
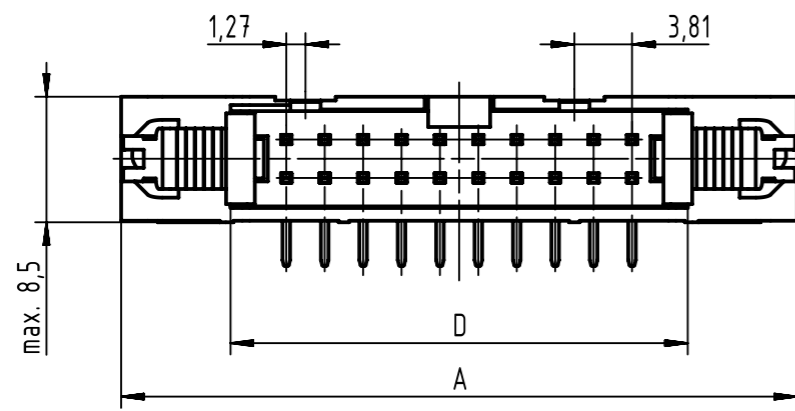
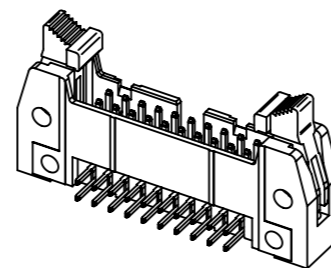
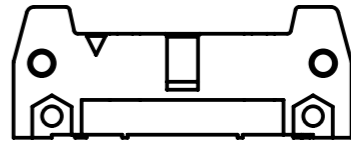
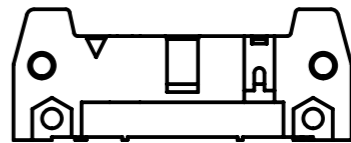
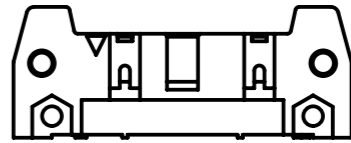


PCB layout
view component side
thickness 1,6




see table for coding,
feature arrangement and style






coding style table	
	style A: for connectors 6-pole
	style B: for connectors from 10 to 14-pole
	style C: for connectors from 16 to 64-pole

further information
see: DS 09181200001

full range of P/N's and
dimensions shown on page 2/2

	All rights reserved Department EC PD - DE	Created by STORCK	Inspected by TADJE	Standardisation KOHLER	Date 2015-12-21	State Final Release	Ref. Sub. TB 09185XXX913/913800 / 500000087654 / 2015-04-08	
	HARTING Electronics GmbH D-32339 Espelkamp	Title SEK 18 male standard conn angled with short lever 2.9			Type TB	Number 09185XXX913		Doc-Key / ECM-Nr. 100154464/UGD/021/A 500000094595
							Rev. A	Page 1/2

1	2		3		4		5		6		7		8										
A	performance level												insulator colour	dimensions									
	no. of contacts	PL3		PL2		S4		A max.	B	D	E			F									
	part number	part number		part number		part number																	
B	06	09 18 506 7913	09 18 506 6913	09 18 506 5913	grey	27,2	16,76	12,45	2,54 x 2 = 5,08		36,9												
	10	09 18 510 7913	09 18 510 6913	09 18 510 5913		32,3	21,84	17,53	2,54 x 4 = 10,16		42,0												
	14	09 18 514 7913	09 18 514 6913	09 18 514 5913		37,4	26,92	22,61	2,54 x 6 = 15,24		47,1												
	16	09 18 516 7913	09 18 516 6913	09 18 516 5913		39,9	29,46	25,15	2,54 x 7 = 17,78		49,6												
	20	09 18 520 7913	09 18 520 6913	09 18 520 5913		45,0	34,54	30,23	2,54 x 9 = 22,86		54,7												
	24	09 18 524 7913	09 18 524 6913	09 18 524 5913		50,1	39,62	35,91	2,54 x 11 = 27,94		59,8												
	26	09 18 526 7913	09 18 526 6913	09 18 526 5913		52,6	42,16	37,85	2,54 x 12 = 30,48		62,3												
	30	09 18 530 7913	09 18 530 6913	09 18 530 5913		58,0	47,24	43,83	2,54 x 14 = 35,56		68,2												
	34	09 18 534 7913	09 18 534 6913	09 18 534 5913		62,8	52,32	48,01	2,54 x 16 = 40,64		72,5												
	40	09 18 540 7913	09 18 540 6913	09 18 540 5913		70,4	59,94	55,63	2,54 x 19 = 48,26		80,1												
	50	09 18 550 7913	09 18 550 6913	09 18 550 5913		83,1	72,64	68,33	2,54 x 24 = 60,96		92,8												
	60	09 18 560 7913	09 18 560 6913	09 18 560 5913		95,8	85,34	81,03	2,54 x 29 = 73,66		105,5												
C	64	09 18 564 7913	09 18 564 6913	09 18 564 5913	100,9	90,42	86,11	2,54 x 31 = 78,74		110,6													
	06	09 18 506 7913 001	09 18 506 6913 001	09 18 506 5913 001	27,2	16,76	12,45	2,54 x 2 = 5,08		36,9													
	10	09 18 510 7913 001	09 18 510 6913 001	09 18 510 5913 001	32,3	21,84	17,53	2,54 x 4 = 10,16		42,0													
	14	09 18 514 7913 001	09 18 514 6913 001	09 18 514 5913 001	37,4	26,92	22,61	2,54 x 6 = 15,24		47,1													
	16	09 18 516 7913 001	09 18 516 6913 001	09 18 516 5913 001	39,9	29,46	25,15	2,54 x 7 = 17,78		49,6													
	20	09 18 520 7913 001	09 18 520 6913 001	09 18 520 5913 001	45,0	34,54	30,23	2,54 x 9 = 22,86		54,7													
	24	09 18 524 7913 001	09 18 524 6913 001	09 18 524 5913 001	50,1	39,62	35,91	2,54 x 11 = 27,94		59,8													
	26	09 18 526 7913 001	09 18 526 6913 001	09 18 526 5913 001	52,6	42,16	37,85	2,54 x 12 = 30,48		62,3													
	30	09 18 530 7913 001	09 18 530 6913 001	09 18 530 5913 001	58,0	47,24	43,83	2,54 x 14 = 35,56		68,2													
	34	09 18 534 7913 001	09 18 534 6913 001	09 18 534 5913 001	62,8	52,32	48,01	2,54 x 16 = 40,64		72,5													
	40	09 18 540 7913 001	09 18 540 6913 001	09 18 540 5913 001	70,4	59,94	55,63	2,54 x 19 = 48,26		80,1													
	50	09 18 550 7913 001	09 18 550 6913 001	09 18 550 5913 001	83,1	72,64	68,33	2,54 x 24 = 60,96		92,8													
D	60	09 18 560 7913 001	09 18 560 6913 001	09 18 560 5913 001	95,8	85,34	81,03	2,54 x 29 = 73,66		105,5													
	64	09 18 564 7913 001	09 18 564 6913 001	09 18 564 5913 001	100,9	90,42	86,11	2,54 x 31 = 78,74		110,6													
	06	09 18 506 7913 800	09 18 506 6913 800	09 18 506 5913 800	27,2	16,76	12,45	2,54 x 2 = 5,08		36,9													
	10	09 18 510 7913 800	09 18 510 6913 800	09 18 510 5913 800	32,3	21,84	17,53	2,54 x 4 = 10,16		42,0													
	14	09 18 514 7913 800	09 18 514 6913 800	09 18 514 5913 800	37,4	26,92	22,61	2,54 x 6 = 15,24		47,1													
	16	09 18 516 7913 800	09 18 516 6913 800	09 18 516 5913 800	39,9	29,46	25,15	2,54 x 7 = 17,78		49,6													
	20	09 18 520 7913 800	09 18 520 6913 800	09 18 520 5913 800	45,0	34,54	30,23	2,54 x 9 = 22,86		54,7													
	24	09 18 524 7913 800	09 18 524 6913 800	09 18 524 5913 800	50,1	39,62	35,91	2,54 x 11 = 27,94		59,8													
	26	09 18 526 7913 800	09 18 526 6913 800	09 18 526 5913 800	52,6	42,16	37,85	2,54 x 12 = 30,48		62,3													
	30	09 18 530 7913 800	09 18 530 6913 800	09 18 530 5913 800	58,0	47,24	43,83	2,54 x 14 = 35,56		68,2													
	34	09 18 534 7913 800	09 18 534 6913 800	09 18 534 5913 800	62,8	52,32	48,01	2,54 x 16 = 40,64		72,5													
	40	09 18 540 7913 800	09 18 540 6913 800	09 18 540 5913 800	70,4	59,94	55,63	2,54 x 19 = 48,26		80,1													
E	50	09 18 550 7913 800	09 18 550 6913 800	09 18 550 5913 800	83,1	72,64	68,33	2,54 x 24 = 60,96		92,8													
	60	09 18 560 7913 800	09 18 560 6913 800	09 18 560 5913 800	95,8	85,34	81,03	2,54 x 29 = 73,66		105,5													
	64	09 18 564 7913 800	09 18 564 6913 800	09 18 564 5913 800	100,9	90,42	86,11	2,54 x 31 = 78,74		110,6													
	F													 All Dimensions in mm Original Size DIN A3		Scale 1:1		Free size tol.		Ref. Sub. TB 09185XXX913/913800 / 500000087654 / 2015-04-08			
		 All rights reserved Department EC PD - DE												Created by STORCK		Inspected by TADJE		Standardisation KOHLER		Date 2015-12-21		State Final Release	
		HARTING Electronics GmbH D-32339 Espelkamp												Title SEK 18 male standard conn angled with short lever 2.9						Doc-Key / ECM-Nr. 100154464/UGD/021/A 50000094595			
														Type TB		Number 09185XXX913				Rev. A		Page 2/2	

Mouser Electronics

Authorized Distributor

Click to View Pricing, Inventory, Delivery & Lifecycle Information:

HARTING:

[09185066913](#) [09185067913](#) [09185105913](#) [09185107913](#) [09185145913](#) [09185147913](#) [09185165913](#)
[09185167913](#) [09185205913](#) [09185347913](#) [09185406913](#) [09185407913](#) [09185507913](#) [09185605913](#) [09185606913](#)
[09185647913](#) [09185267913](#) [09185106913](#) [09185266913](#) [09185506913](#) [09185207913](#) [09185206913](#)
[09185166913](#) [09185345913](#) [09185265913](#) [09185346913](#) [09185405913](#) [09185505913](#) [09185607913](#) [09185065913](#)
[09185146913](#) [09185645913](#) [09185646913](#) [09185405913001](#) [09185305913](#) [09185106913001](#) [09185266913001](#)
[09185306913](#) [09185146913001](#)