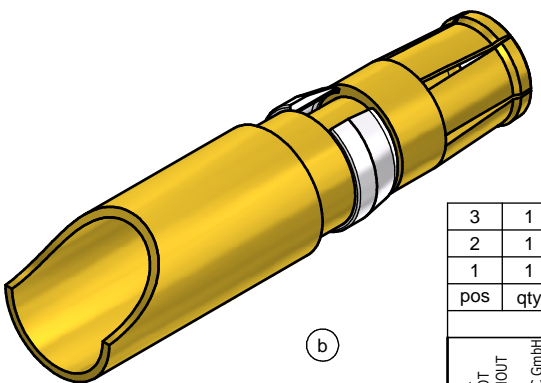
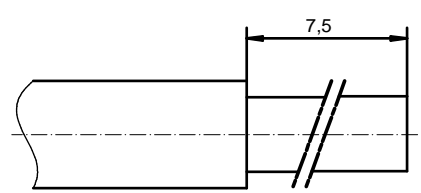


(b) STRIPPING DIMENSION



plating item 1	part no.
GOLD FLASH over NICKEL	132A10049X
30µin HARD GOLD over min. 50µin NICKEL	132C10049X

3	1	RETAINING RING	COPPER ALLOY	NICKEL PLATED
2	1	REAR SIDE	COPPER ALLOY	GOLD
1	1	MATING SIDE	COPPER ALLOY	SEE TABLE
pos	qty	description	material	plating

THIS DRAWING MAY NOT BE COPIED OR REPRODUCED IN ANY WAY, AND MAY NOT BE PASSED ON TO A THIRD PARTY WITHOUT WRITTEN PERMISSION. OWNERSHIP AND COPYRIGHT OF CONEC GmbH DO NOT ALTER CAD DRAWING BY HAND	partlist		tolerance		scale: 5:1
	5 x b	A5637	05.05.15	M.H.	material: see partlist
	a	Original			title: HIGH POWER CONTACT FEMALE SOLDER CUP 40A D-SUB COMBINATION
	rev.	description	date	name	dwg no: (b) 13K11E6A
					part no: see table
					DIN-A3 sh: 1



RoHS compliant

# Mouser Electronics

Authorized Distributor

Click to View Pricing, Inventory, Delivery & Lifecycle Information:

[CONEC:](#)

[132C10049X](#)