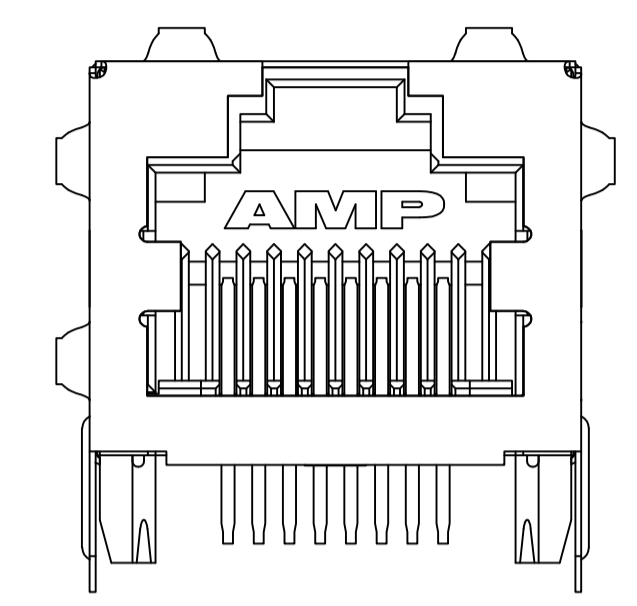
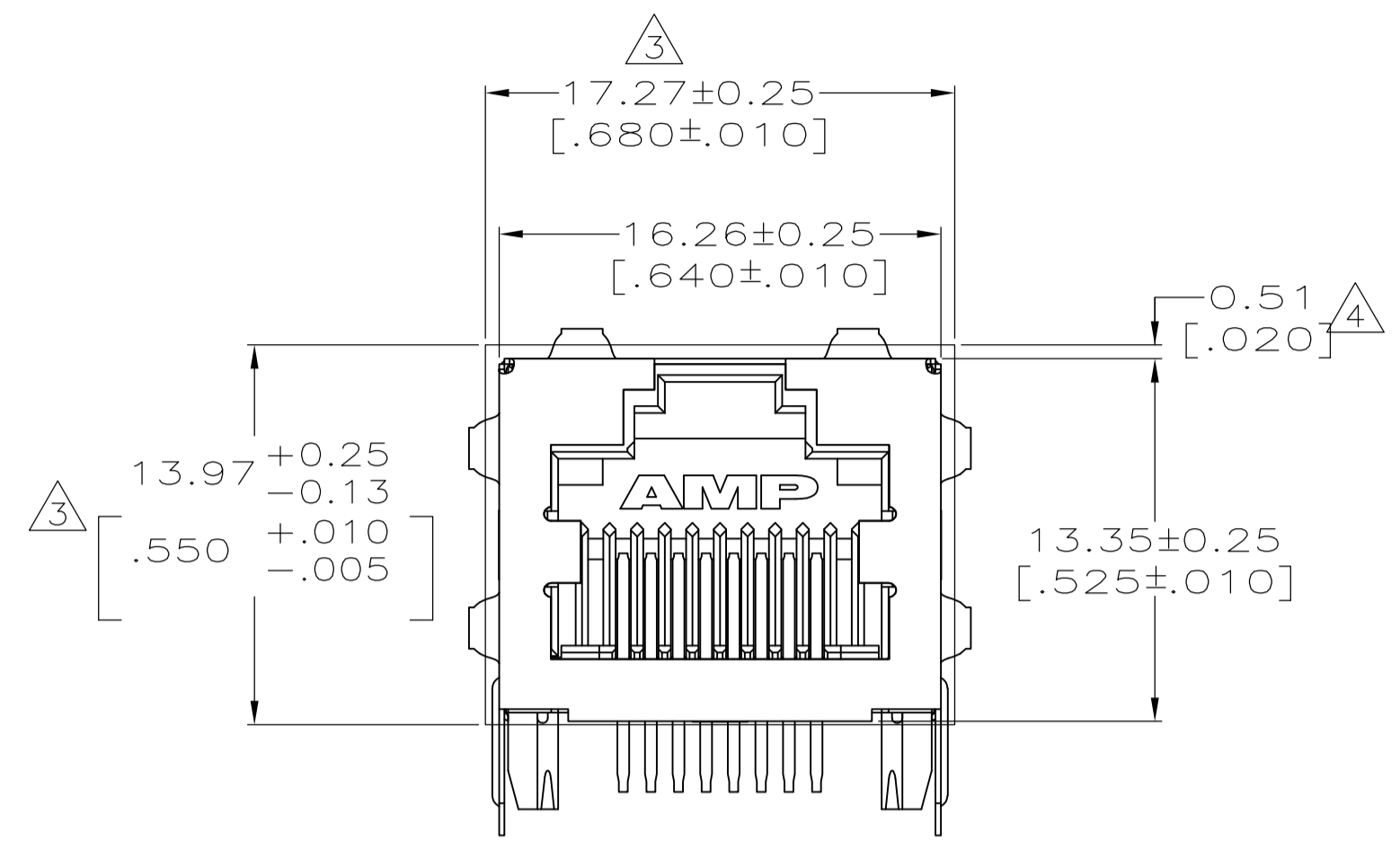
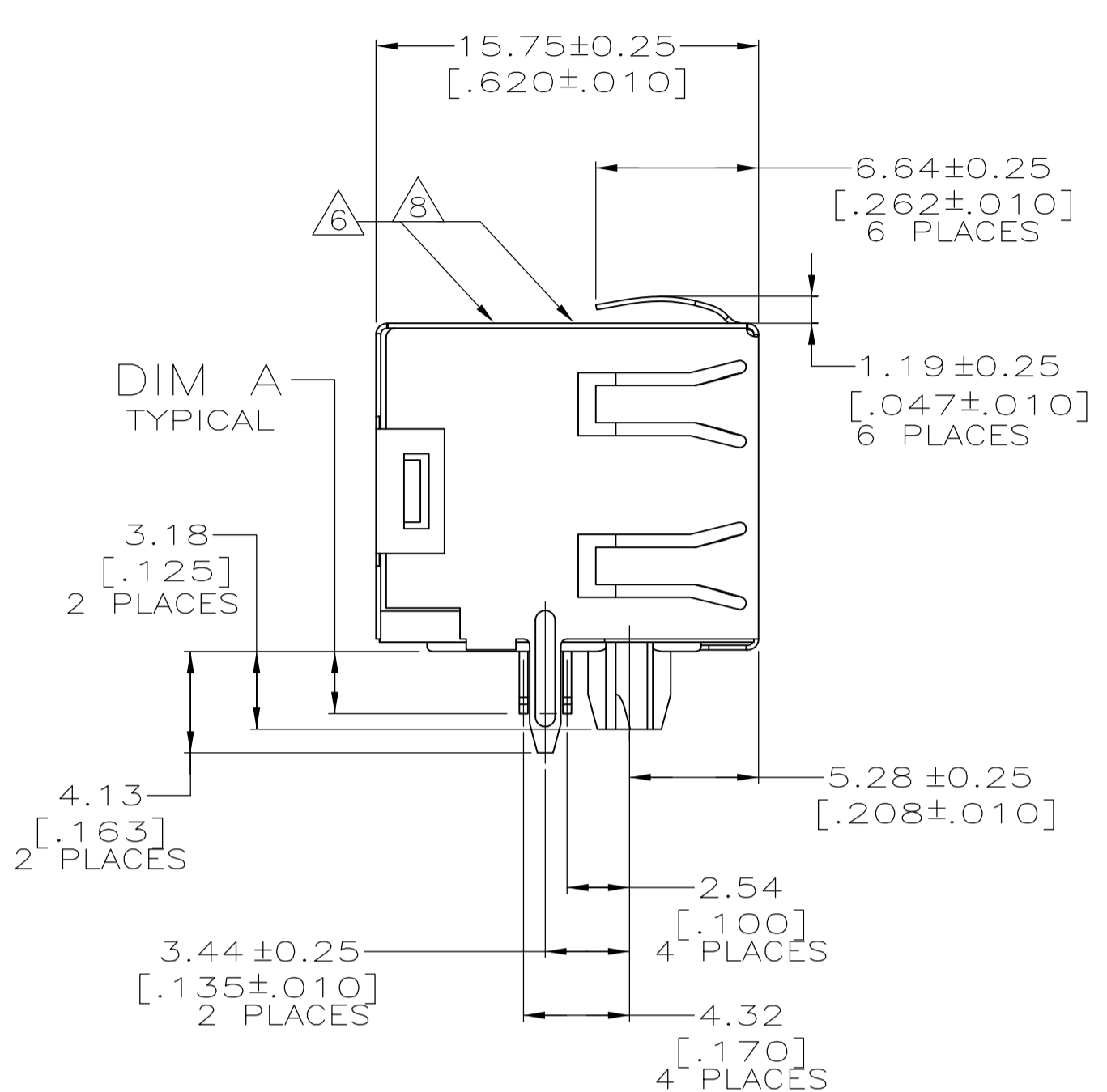
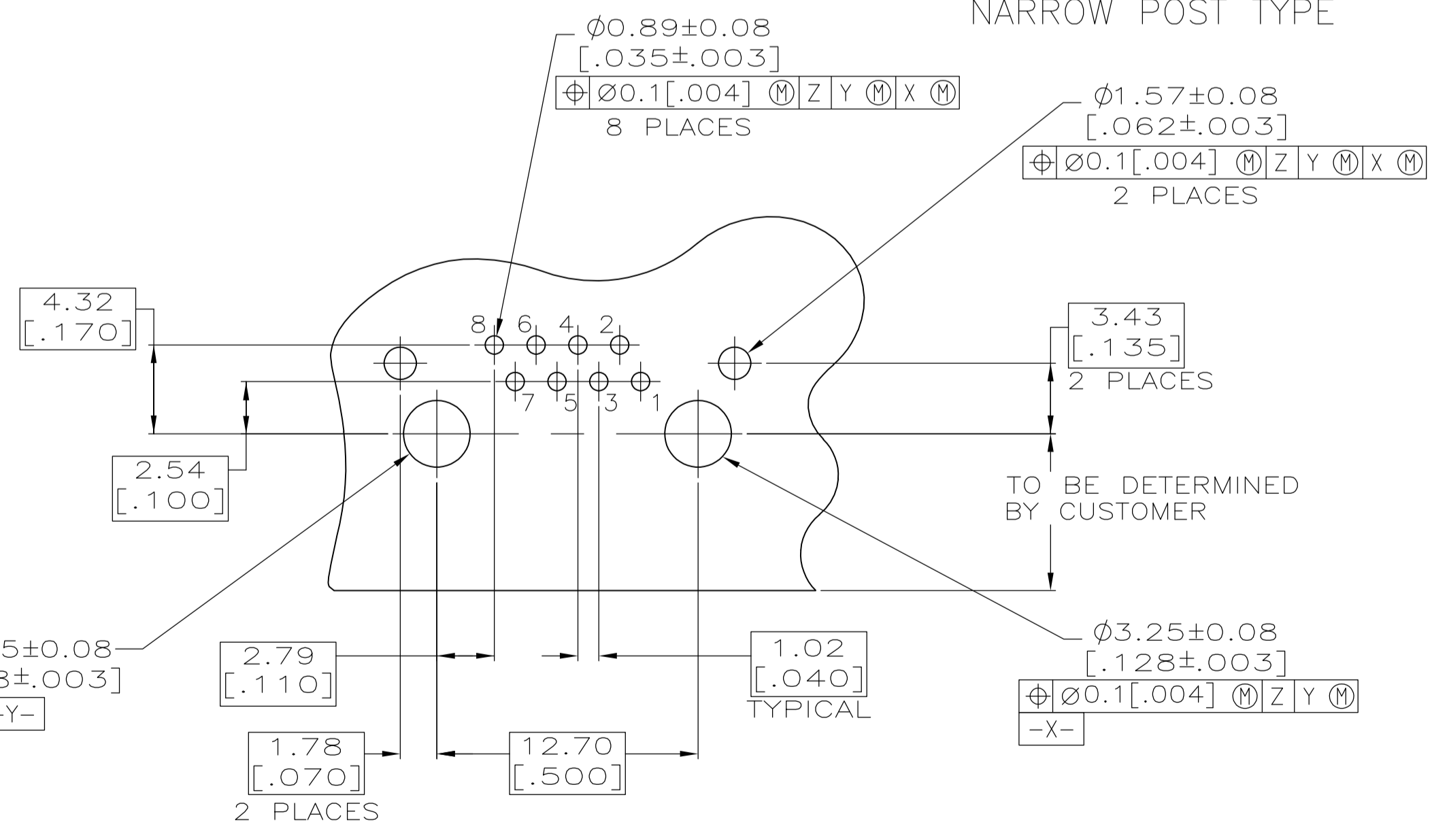
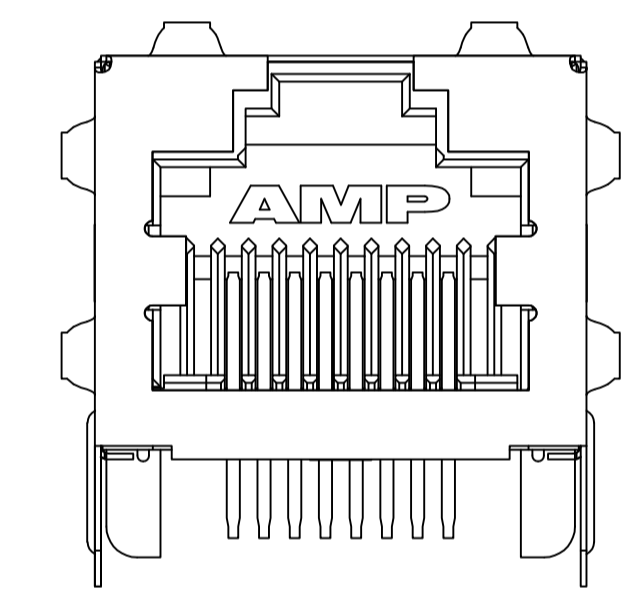
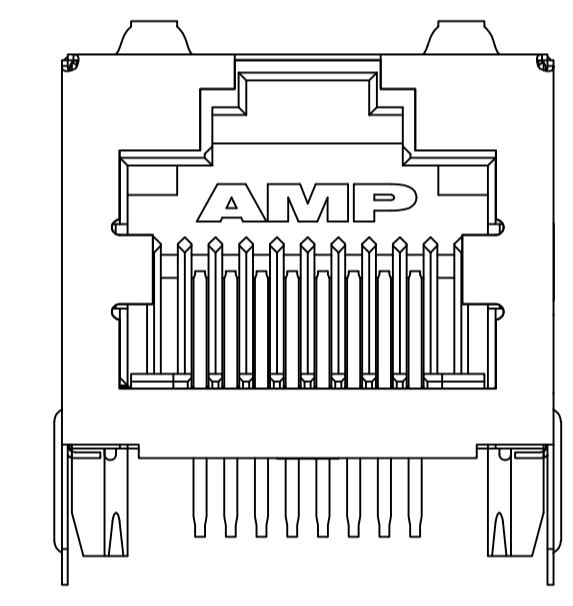
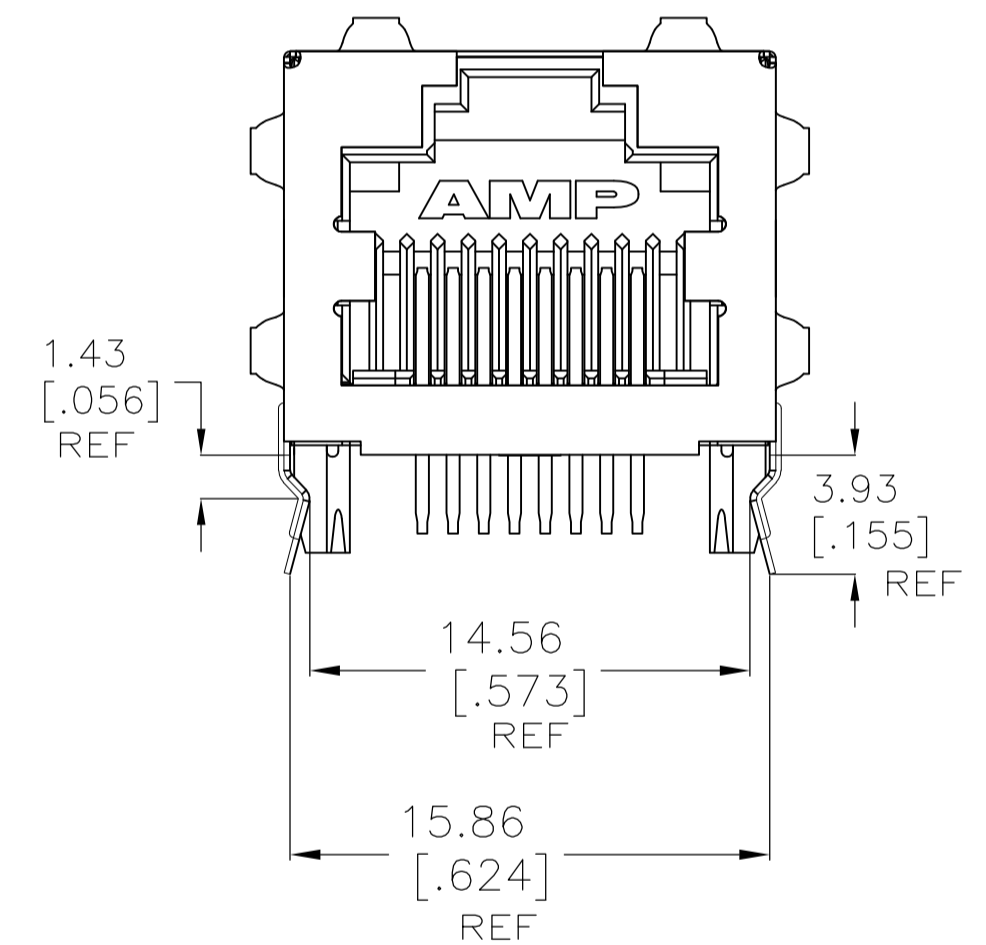
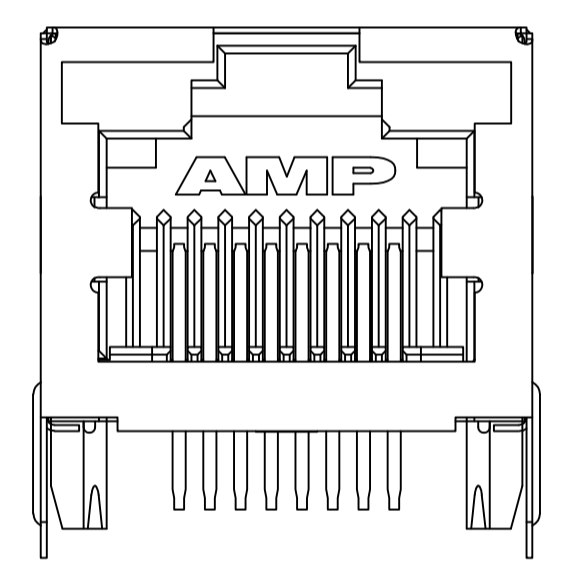
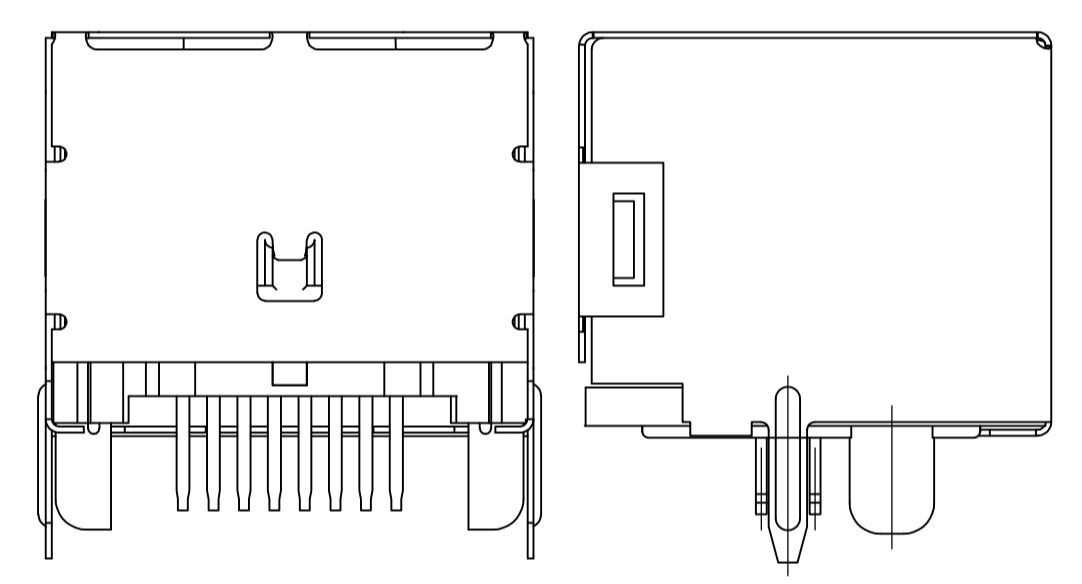


REVISIONS					
P	LTR	DESCRIPTION	DATE	DMN	APVD
R	PER	ECO-17-005949	21APR2017	AD	SH

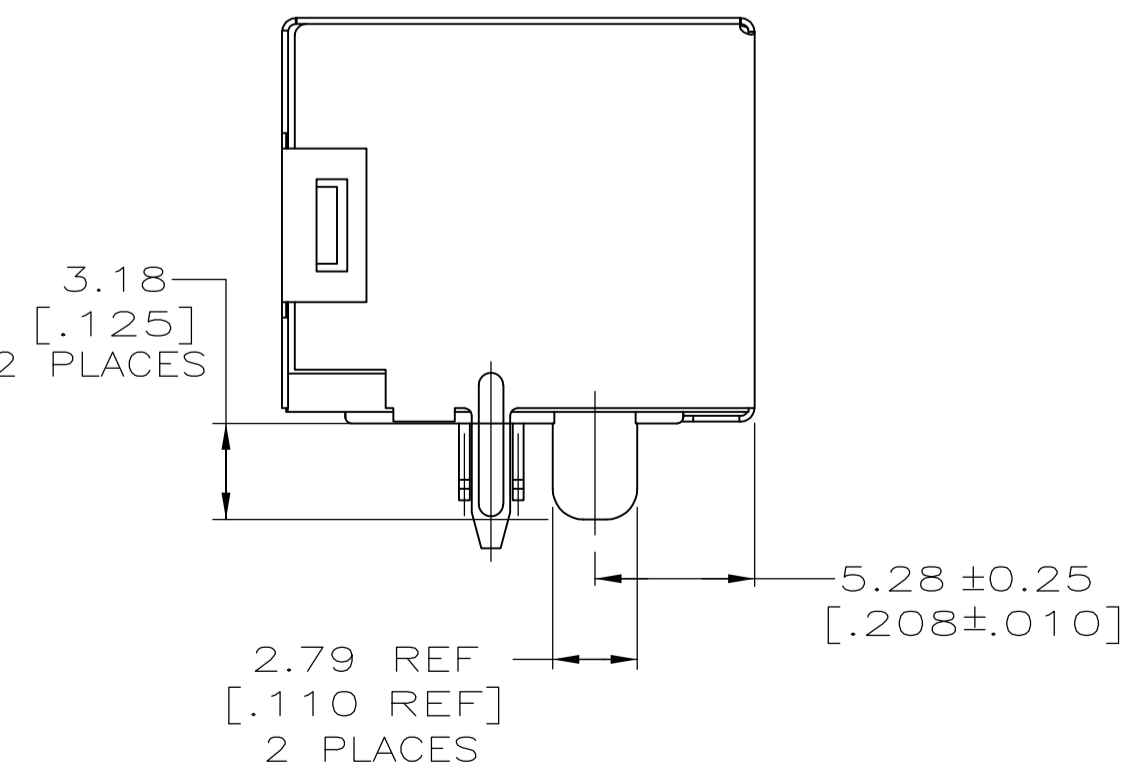


406541-1, -3, & -6
1-406541-1, 1-3, 1-6 & 1-9&2--6

- REFLOW SOLDERING PROCESS COMPATIBLE
- MATERIAL:
HOUSING - HIGH TEMPERATURE THERMOPLASTIC, COLOR: BLACK, UL94V-0
TERMINALS - 0.36[.014] THICK PHOS BRONZE PLATED WITH 3.81µm[.000150] MINIMUM THICK (SEE P/N TABLE) IN SOLDER AREA. 1.27µm[.000050] MINIMUM GOLD IN LOCALIZED PLATE AREA. ENTIRE TERMINAL PLATED WITH 1.27µm[.000050] MINIMUM THICK NICKEL.
SHIELD - 0.196[.0077] THICK COPPER ZINC ALLOY PREPLATED WITH 1.27µm[.000050] MINIMUM SATIN NICKEL WITH 2.03µm[.000080] MINIMUM TIN POST DIPPED ON PCB GROUND TABS.
2. JACK CAVITY CONFORMS TO FCC RULES AND REGULATIONS PART 68, SUBPART F.
3. SUGGESTED PANEL OPENING DIMENSIONS.
4. SUGGESTED CLEARANCE BETWEEN TOP OF CONNECTOR AND TOP PANEL OPENING.
5. ON 406541-4 & 1-406541-4 LOWER RIGHT HAND PANEL GROUND TAB IS NOT PRESENT.
6. MANUFACTURING DATE CODE: LOCATED APPROX. AS SHOWN. FIRST 2 DIGITS = LAST 2 DIGITS OF YEAR. NEXT 2 DIGITS = MANUFACTURING WORK WEEK, LAST DIGIT = DAY OF WEEK WITH SUNDAY = 1.
7. OBSOLETE PARTS: OBSOLETE CIS STREAMLINING PER D.RENAUD/D.SINISI
8. ADD PN ON TOP SURFACE FOR REQUIRED PARTS



SUGGESTED PRINTED CIRCUIT BOARD LAYOUT (COMPONENT SIDE)



TERMINAL PLATING	PACKAGING	PANEL GROUNDS	DIM A	PART NUMBER
MATTE TIN	TAPE/REEL	0	2.54 [.100]	4-406541-8
	TAPE/REEL	0	2.54 [.100]	3-406541-0
	TRAY	6	2.54 [.100]	2-406541-7
	TRAY	6	3.56 [.140]	2-406541-6
	TAPE/REEL	2	2.54 [.100]	2-406541-4
	TRAY	6	3.05 [.120]	2-406541-3
	TRAY	0	2.54 [.100]	2-406541-2
	TRAY	2	2.54 [.100]	2-406541-1
	TAPE/REEL	0	2.54 [.100]	2-406541-0
	TRAY	6	3.05 [.120]	1-406541-9
	TAPE/REEL	0	2.54 [.100]	1-406541-8
	TRAY	6	2.54 [.100]	1-406541-7
BRIGHT TIN-LEAD	TRAY	6	3.56 [.140]	1-406541-6
	TRAY	0	2.54 [.100]	406541-5
	TRAY	5	2.54 [.100]	406541-4
	TRAY	6	2.00 [-0.79]	1-406541-3
	TRAY	6	2.54 [.100]	1-406541-1
	TRAY	6	3.56 [.140]	406541-6
	TRAY	0	2.54 [.100]	406541-5
	TRAY	5	2.54 [.100]	406541-4
	TRAY	6	2.00 [-0.79]	406541-3
	TRAY	6	2.54 [.100]	406541-1
	TRAY	6	2.54 [.100]	406541-1
	TRAY	6	2.54 [.100]	406541-1

THIS DRAWING IS A CONTROLLED DOCUMENT.		DIN IS/LA.MAYER 09JAN2008	
DIMENSIONS: mm [INCHES]		CHK J.WESTMAN 09JAN2008	
TOLERANCES UNLESS OTHERWISE SPECIFIED:		APVD S.FLICKINGER 09JAN2008	
0 PLC ± -	1 PLC ± -	NAME	
2 PLC ± 0.25[.010]	3 PLC ± -	PRODUCT SPEC	
4 PLC ± -	ANGLES ± -	APPLICATION SPEC	
MATERIAL SEE TABLE	FINISH SEE TABLE	WEIGHT 0.000000	SIZE CAGE CODE DRAWING NO RESTRICTED TO
CUSTOMER DRAWING		A1 00779	SCALE 4:1 SHEET 1 OF 1 REV R

Mouser Electronics

Authorized Distributor

Click to View Pricing, Inventory, Delivery & Lifecycle Information:

[TE Connectivity:](#)

[2-406541-1](#)