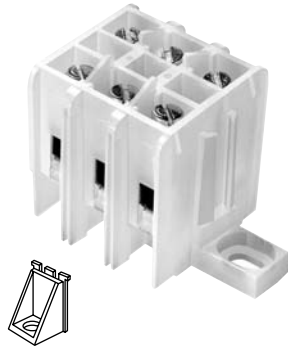


Base Mount Terminal Blocks

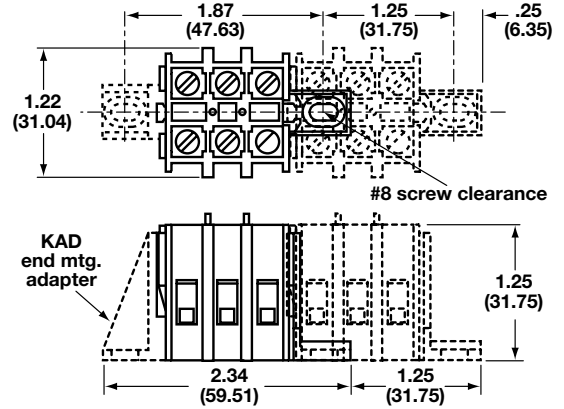
KT3

SPECIFICATIONS:

Rating: 40A, 600V; UL/CSA
Center Spacing: .390" (9.91 mm)
Number Of Poles: 3
Circuits Per Foot: 28
Circuit Jumper: JN3, 2 circuits
Wire Range: AWG #8-22 CU
Screw Size: #8-32
Mounting Options: Base Mount, Stackable
Marking Tape: MT12-1/2
Torque Rating: 18 in-lb
Operating Temperature: 105°C



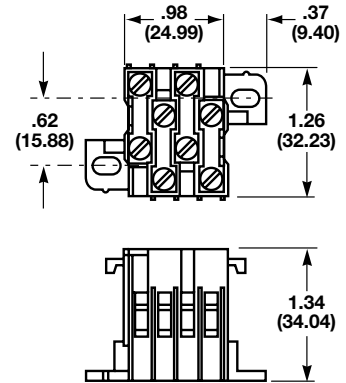
KAD
 End Mount Adapter Required



KT4

SPECIFICATIONS:

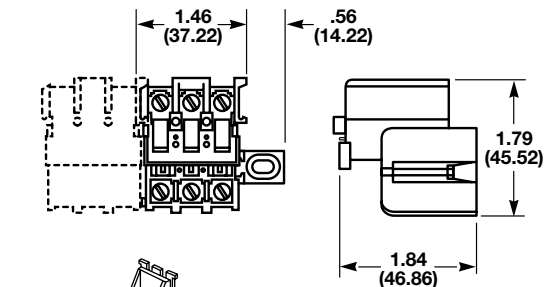
Rating: 30A, 600V; UL/CSA
Center Spacing: .250" (6.35 mm)
Number Of Poles: 4
Circuits Per Foot: 48
Circuit Jumper: JN4, 4 circuits
Wire Range: AWG #10-22 CU
Screw Size: #6-32
Mounting Options: Base Mount
 Mounting screws recommended every 12 circuits
Marking Tape: MTC6
Torque Rating: 18 in-lb
Operating Temperature: 105°C



PLK3

SPECIFICATIONS:

Rating: 40A, 600V; UL
Center Spacing: .390" (9.91 mm)
Number Of Poles: 3
Circuits Per Foot: 28
Circuit Jumper: JN3, 2 circuits
Wire Range: AWG #8-22 CU
Screw Size: #8-32
Mounting Options: Base Mount, Stackable; End Piece (Part No. KAD) is required for mounting. Mounting screws recommended every 15 circuits.
Marking Tape: MT12-1/2
Torque Rating: 18 in-lb
Operating Temperature: 105°C



KAD
 End Mount Adapter Required

Mouser Electronics

Authorized Distributor

Click to View Pricing, Inventory, Delivery & Lifecycle Information:

[Eaton:](#)

[KT4-BK](#) [KT3-BK](#) [KT3-RE](#) [KT302-WH](#) [KT3-A01](#) [KT4-WH-A](#) [KT4-WH-B](#)