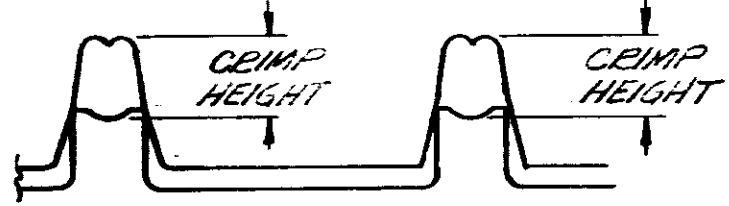


SYMBOL 14-12 SYMBOL 10

WIRE CRIMP				TERMINAL CRIMP HEIGHT
CRIMP SYMBOL	DIM	GO	NO GO	
14-12	F	.0724	.0774	SEE
	D	.0873	.0914	BELOW
10	F	.0924	.1034	SEE
	D	.1094	.1138	BELOW



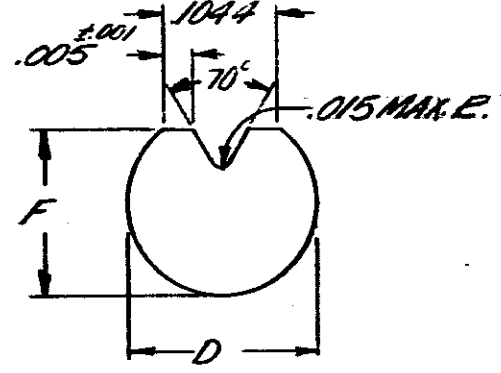
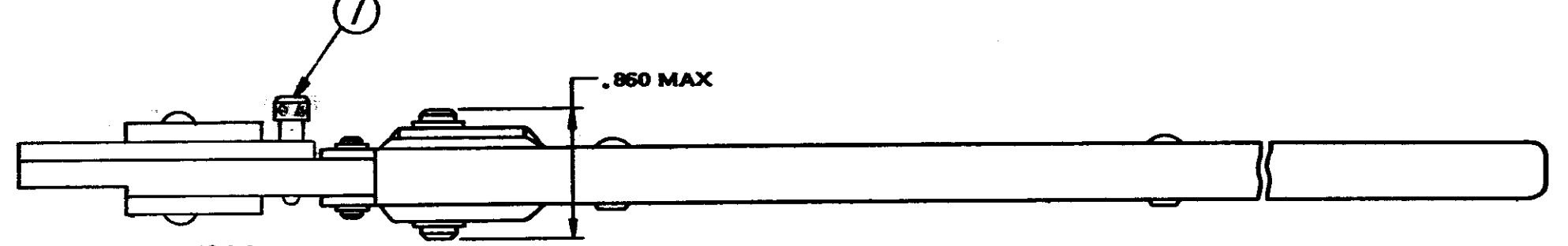
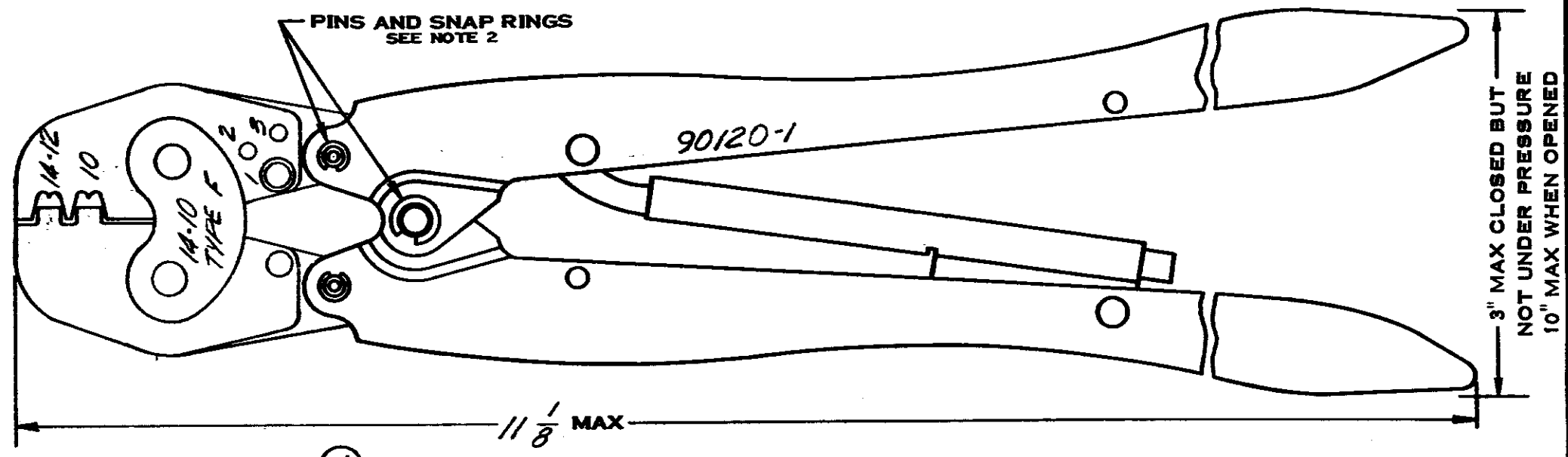
SYMBOL 10 SYMBOL 14-12

INSULATION CRIMP				TERMINAL CRIMP HEIGHT
CRIMP SYMBOL	DIM	GO	NO GO	
14-12	F	.1509	.1667	++
	D	.1695	.1850	-++
10	F	.1509	.1667	+
	D	.1695	.1850	-++

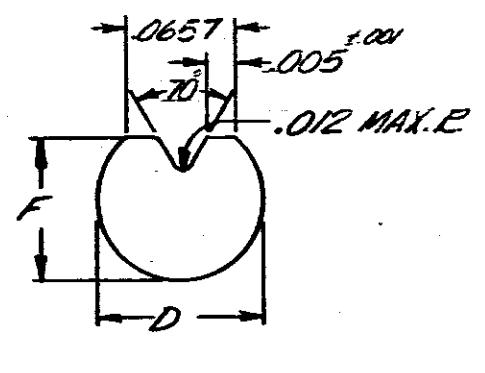
SEE NOTE #6

WIRE SIZE	TERMINAL CRIMP HEIGHT
14	.0925
	.0805
12	.0975
	.0650
10	.1140
	.1020

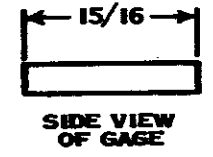
INACTIVE,
REFER TO
IS SHEET 7157
11/8/77



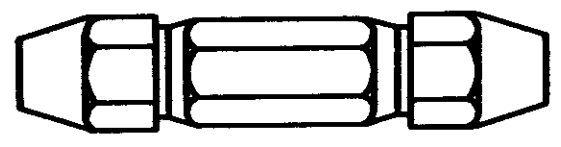
INSULATION CRIMPS
CRIMP SYMBOLS 14-12 & 10
ENLARGED END VIEWS OF GAGES



WIRE CRIMPS
CRIMP SYMBOLS 14-12 & 10



SIDE VIEW OF GAGE



SUGGESTED DOUBLE END HANDLE A.G.D. STD.

INACTIVE
11/8/77 SEE I.S. - 7157

SUGGESTED GAGE DESIGN

NO.	DESCRIPTION	DATE	BY	CHK	DATE
1	INACTIVE PER ECN AT-1114	11/8/77	SEI		

1	39207	PIN-ADJUSTMENT		1
NO. REQD	NUMBER	NAME		ITEM NO.
©1968 BY AMP INCORPORATED. ALL RIGHTS RESERVED. AMP PRODUCTS COVERED BY PATENTS AND/OR PATENTS PENDING.		CUSTOMER COPY REFERENCE ONLY		
OR <i>R. Canty 4/23/64</i>	MATERIAL-STEEL	AMP INCORPORATED HARRISBURG PENNA.		
CHK <i>S. Dried 4/30/64</i>	FINISH-BLACK OXIDE	CLASS		
OR <i>J. Gentes 4/30/64</i>	WEIGHT-1 LBS. 3 OZ.	TYPE		
OR <i>J. Gentes 4/30/64</i>	WIRE - RANGE - INSULATION	TOLERANCE EXCEPT AS NOTED		
AMP <i>J. Gentes 4/30/64</i>	SCALE	LOC R B	NO C-90120	REV A
NAME <i>J. Gentes</i>		DOUBLE ACTION HAND TOOL		

DIMENSIONS IN INCHES DO NOT SCALE PRINT

Mouser Electronics

Authorized Distributor

Click to View Pricing, Inventory, Delivery & Lifecycle Information:

[TE Connectivity:](#)

[90120](#)