

4

3

2

1

THIS DRAWING IS UNPUBLISHED. RELEASED FOR PUBLICATION .20 .
 © COPYRIGHT 20 BY AMP INCORPORATED. ALL RIGHTS RESERVED.

LOC	DIST	REVISIONS					
		P	LTR	DESCRIPTION	DATE	DWN	APVD
J	-	C2		REVISED PER ECR-16-008042	17MAY2016	NK	NL

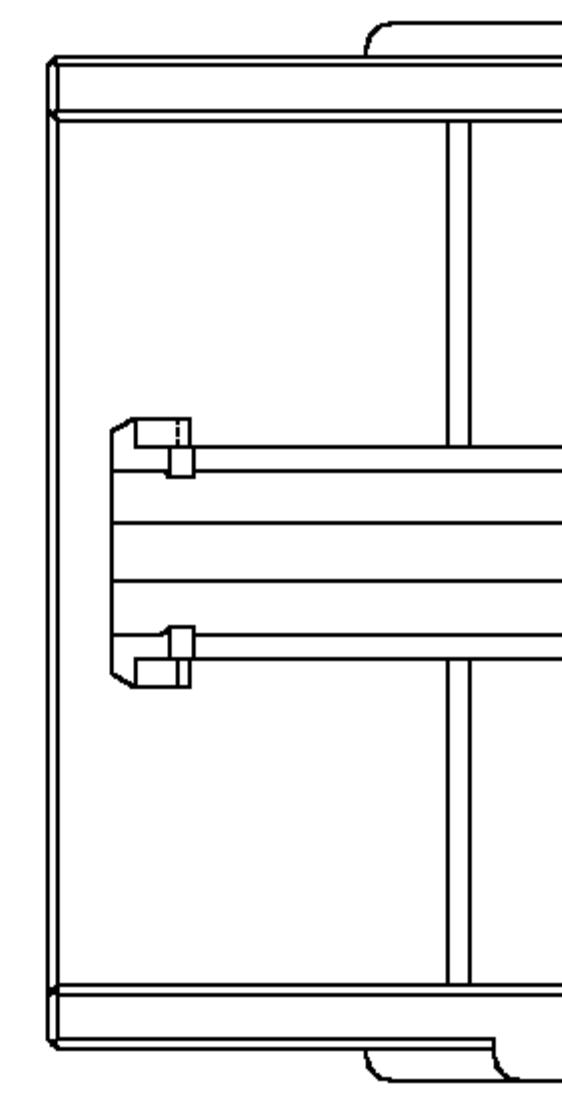
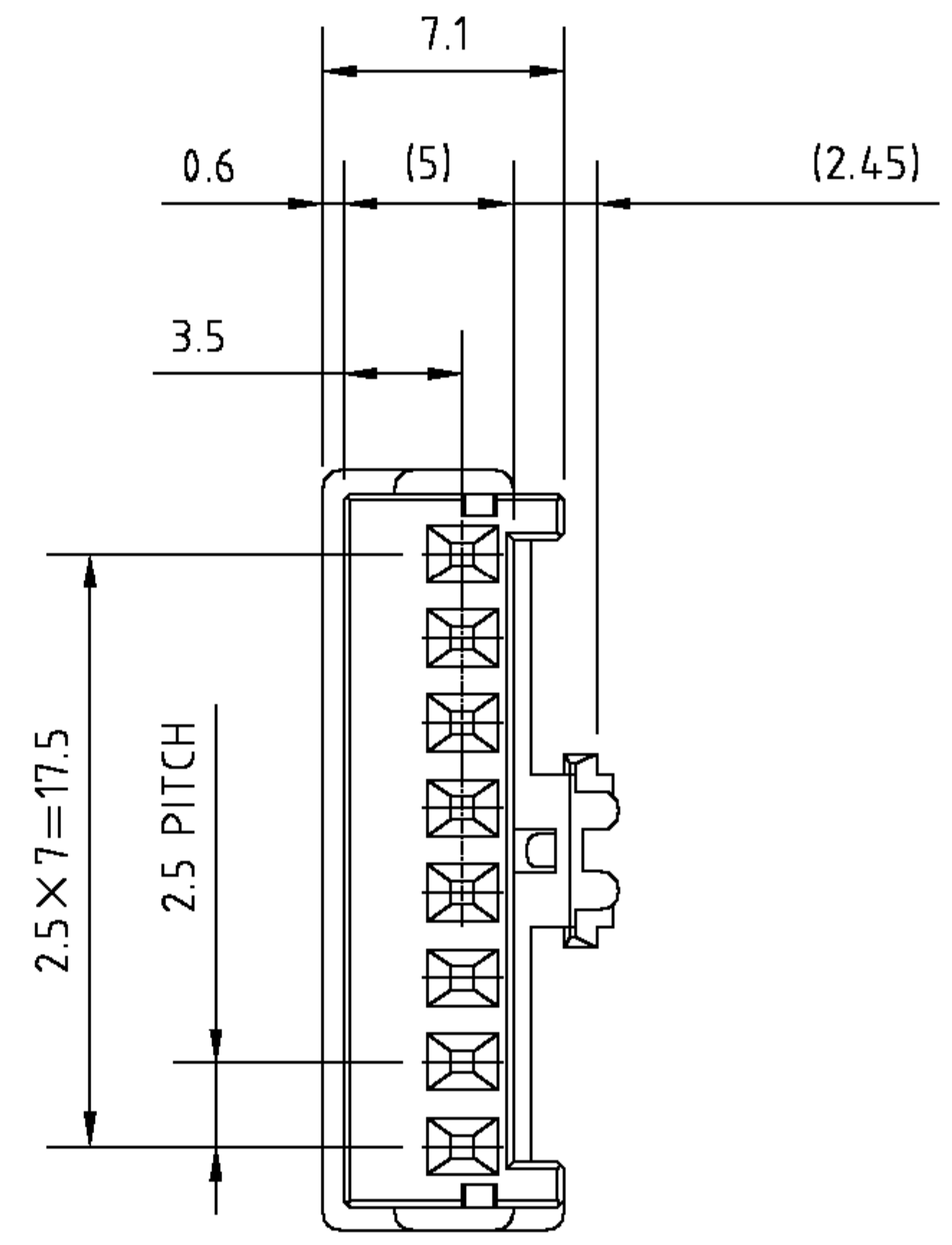
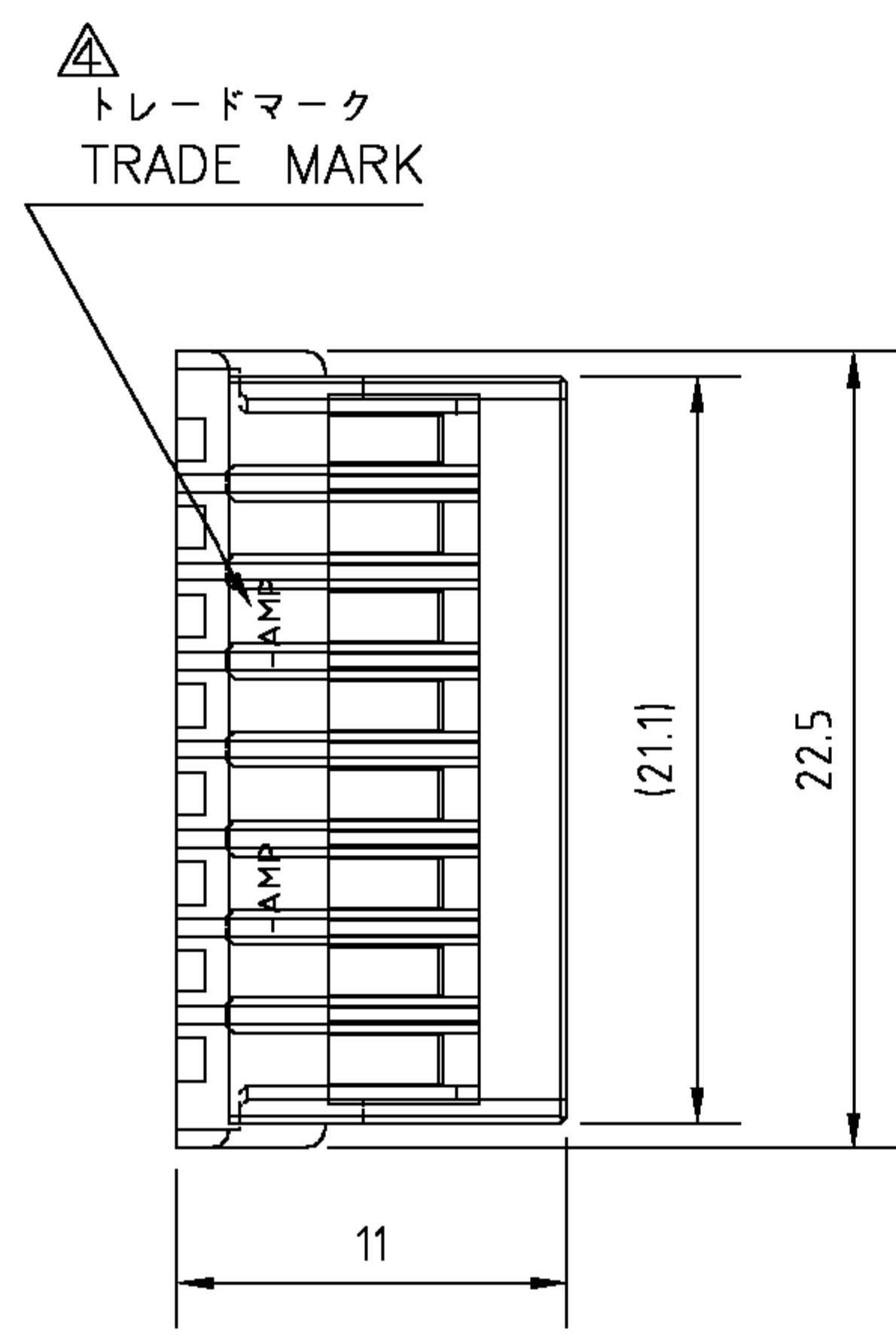
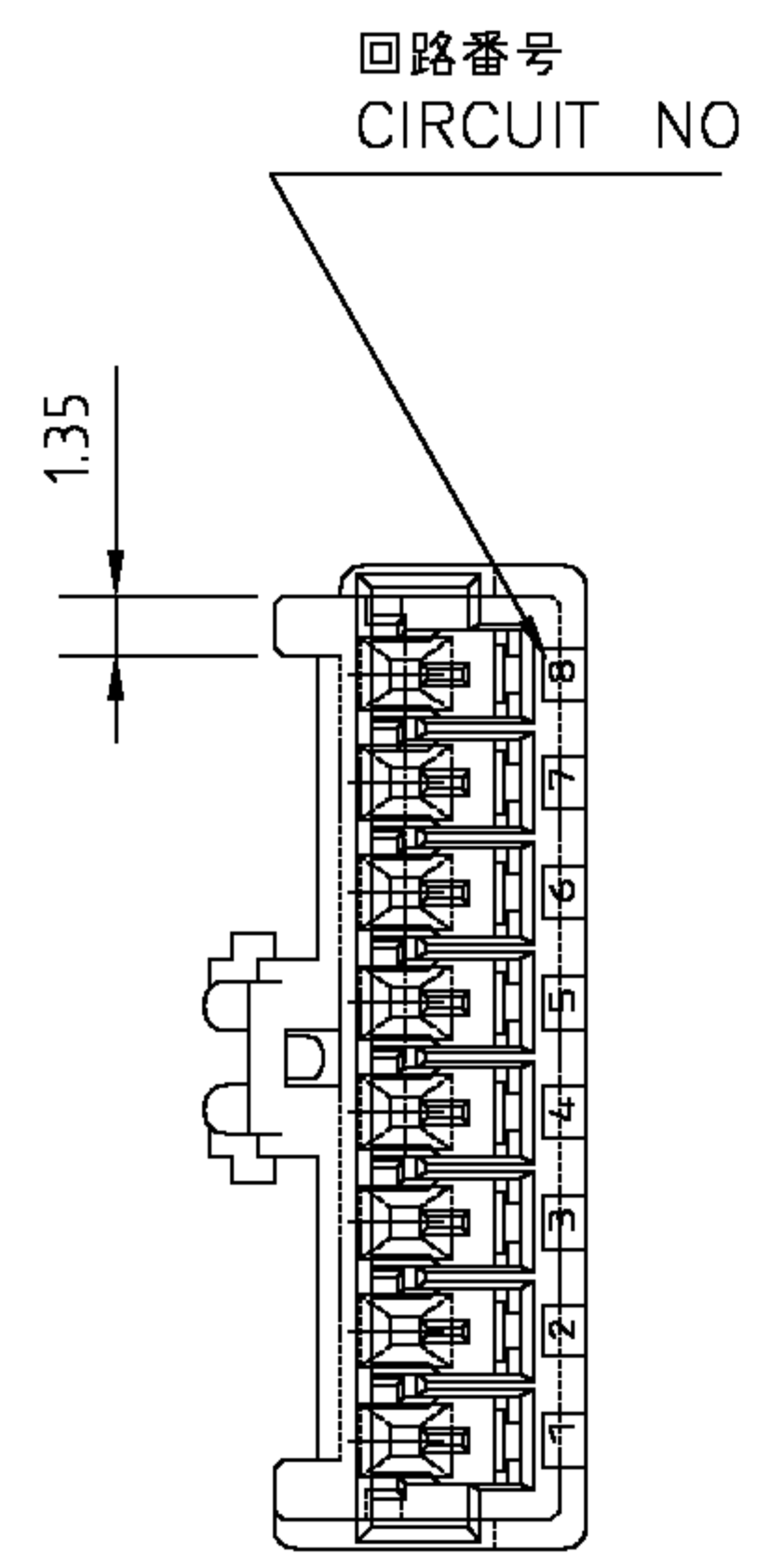



表1
TABLE 1

トレードマーク TRADE MARK	生産場所 MANUFACTURING PLACE
-AMP OR AMP	日本 JAPAN
-+AMP OR AMP	中国 CHINA(PRC)

- 注記;
 ① 材料; 66ナイロン (UL94V-0)
 ② 製品規格; 108-5459
 ③ 取付適用規格; 114-5203
 ④ 表1参照
 5. 取扱説明書; 411-5771

- NOTES;
 ① MATERIAL; 66 NYLON (UL94V-0)
 ② PRODUCT SPEC; 108-5459-8
 ③ APPLICATION SPEC; 114-5203
 ④ SEE TABLE 1
 5. INSTRUCTION SHEET; 411-5771
 6. PART 5-917692-1 COMPLY WITH GLOW WIRE REQUIREMENT FOR PARTS OF NON-METALLIC MATERIAL SUPPORTING A CURRENT CARRYING CONNECTION DETAILED IN IEC 60335-1, SECTION 30(GWT)

	自然色 NATURAL	5-917692-1	8
OBSOLETE	青 BLUE	917692-6	8
	自然色 NATURAL	917692-1	8
	色調 COLOR	型番 PART NO.	極数 POS.

THIS DRAWING IS A CONTROLLED DOCUMENT.		DWN Y. NOGUCHI 12MAY95	 TE Connectivity	
DIMENSIONS: 単位 MM		CHK Y. KASHIWA 12MAY95		
TOLERANCES UNLESS OTHERWISE SPECIFIED: 一般公差		APVD Y. KASHIWA 12MAY95	NAME 名称	
10 ≥ : ±0.2 30 ≥ > 10 : ±0.25 100 ≥ > 30 : ±0.3		PRODUCT SPEC 製品規格 ④ SEE NOTE	2.5mm シグナルダブルロック 8極 プラグハウジング 2.5mm SIGNAL DBL-LOCK 8P PLUG HOUSING	
ANGLES ±0.3°		APPLICATION SPEC 取付適用規格 ④ SEE NOTE	SIZE	CAGE CODE
MATERIAL 材料 ④ SEE NOTE		FINISH 仕上	A3	00779
		WEIGHT	DRAWING NO 番号 C-917692	
		CUSTOMER DRAWING		RESTRICTED TO
		SCALE 尺度	SHEET	REV
		3-1	1 OF 1	C2

Mouser Electronics

Authorized Distributor

Click to View Pricing, Inventory, Delivery & Lifecycle Information:

[TE Connectivity:](#)

[5-917692-1](#)