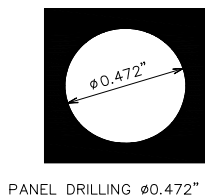
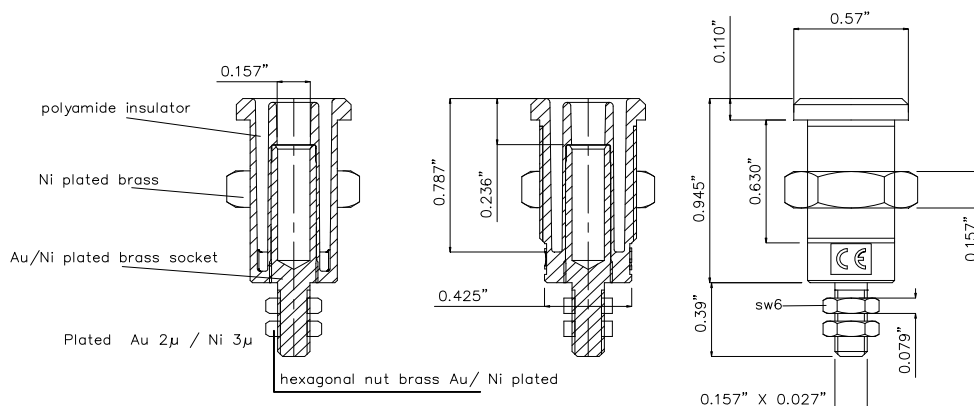


Model 72930
Panel Mount IEC 61010 4mm (0.16in) Jack for Sheathed Plugs



Model 72930
Panel Mount IEC 61010 4mm (0.16in) Jack for Sheathed Plugs

Materials

Body: Polyamide
Hex Nut: Nickel-plated brass
Stud: Nickel-plated brass
Stud Hex Nuts: Nickel-plated brass

Features

- Panel mount IEC61010 4mm (0.16in) banana jack for sheathed banana plugs, with threaded stud.
- Hexagonal nut.

Specifications

Max Current	36A
Max Voltage	1000 V CAT III

M4 x 0.7 nut = Screwing Torque Nuts = 30 Ncm Max.

Ordering Information

Model: 72930-
*Available colors: 0=Black, 1=Brown, 2=Red, 4=Yellow, 5=Green, 6=Blue, 7=Violet, 8=Gray, 9=White
Ordering example: 72930-5 (72930 with Green Polyamide Insulation)
Each color sold in packages of 10 pieces.

USA: Sales: 800-490-2361
Technical Support: technicalsupport@pomonatest.com
Fax: 425-446-5844
Europe: 31-(0) 40 2675 150 **International:** 425-446-5500
Where to Buy: www.pomonaelectronics.com

All dimensions are in inches. Tolerances (except noted): .xx = ± 0.02 " (.51 mm), .xxx = ± 0.005 " (.127 mm). All specifications are to the latest revisions. Specifications are subject to change without notice. Registered trademarks are the property of their respective companies.

Mouser Electronics

Authorized Distributor

Click to View Pricing, Inventory, Delivery & Lifecycle Information:

Pomona:

[72930-5](#) [72930-1](#) [72930-4](#) [72930-7](#)