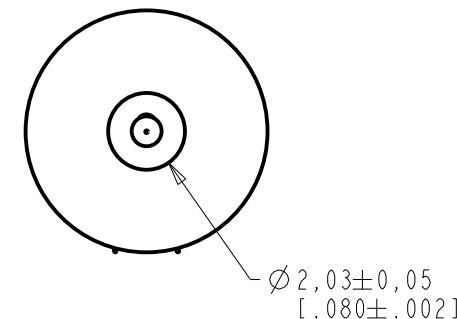
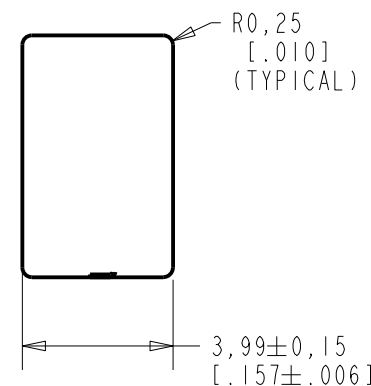
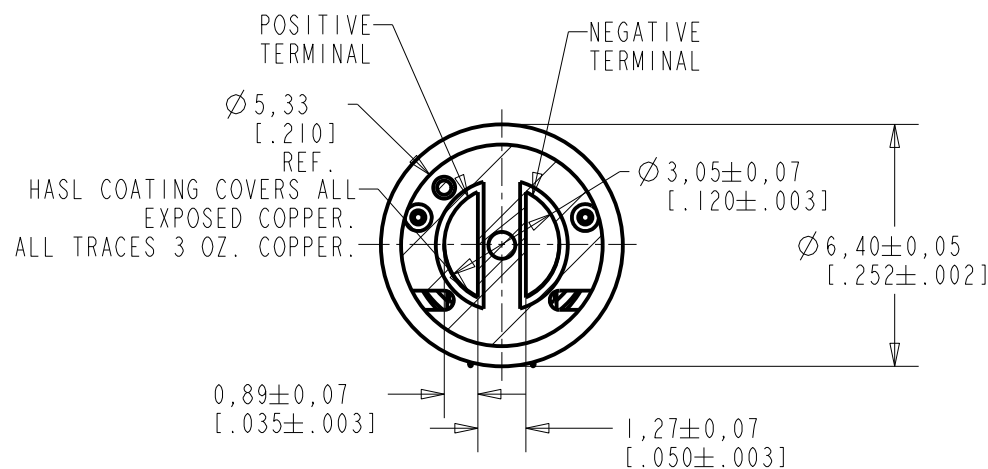


SR6438NWS-000

SHT 1.1

NOTES:

 A POSITIVE GOING VOLTAGE AT THE POSITIVE TERMINAL, RELATIVE TO NEGATIVE TERMINAL, CAUSES A DECREASE IN PRESSURE AT THE SOUND OUTLET.



SCALE 2:1

NOMINAL WEIGHT
0.25 GRAMS

DIMENSIONS IN MILLIMETERS [INCHES]

Revision	C.O. #	Implementation Date	RELEASE LEVEL	REVISION
			Active	J
J	C10116253	9-25-14		

SCALE: 5:1		DR. BY: DATE
DO NOT SCALE DRAWING		MMM 7-5-07
TITLE: RECEIVER		CK. BY: DATE
SR6438NWS-000		GJP 7-12-07
OUTLINE DRAWING		APP. BY: DATE
SHT 1.1		GJP 7-12-07

KNOWLES ELECTRONICS
ITASCA, ILLINOIS U.S.A.

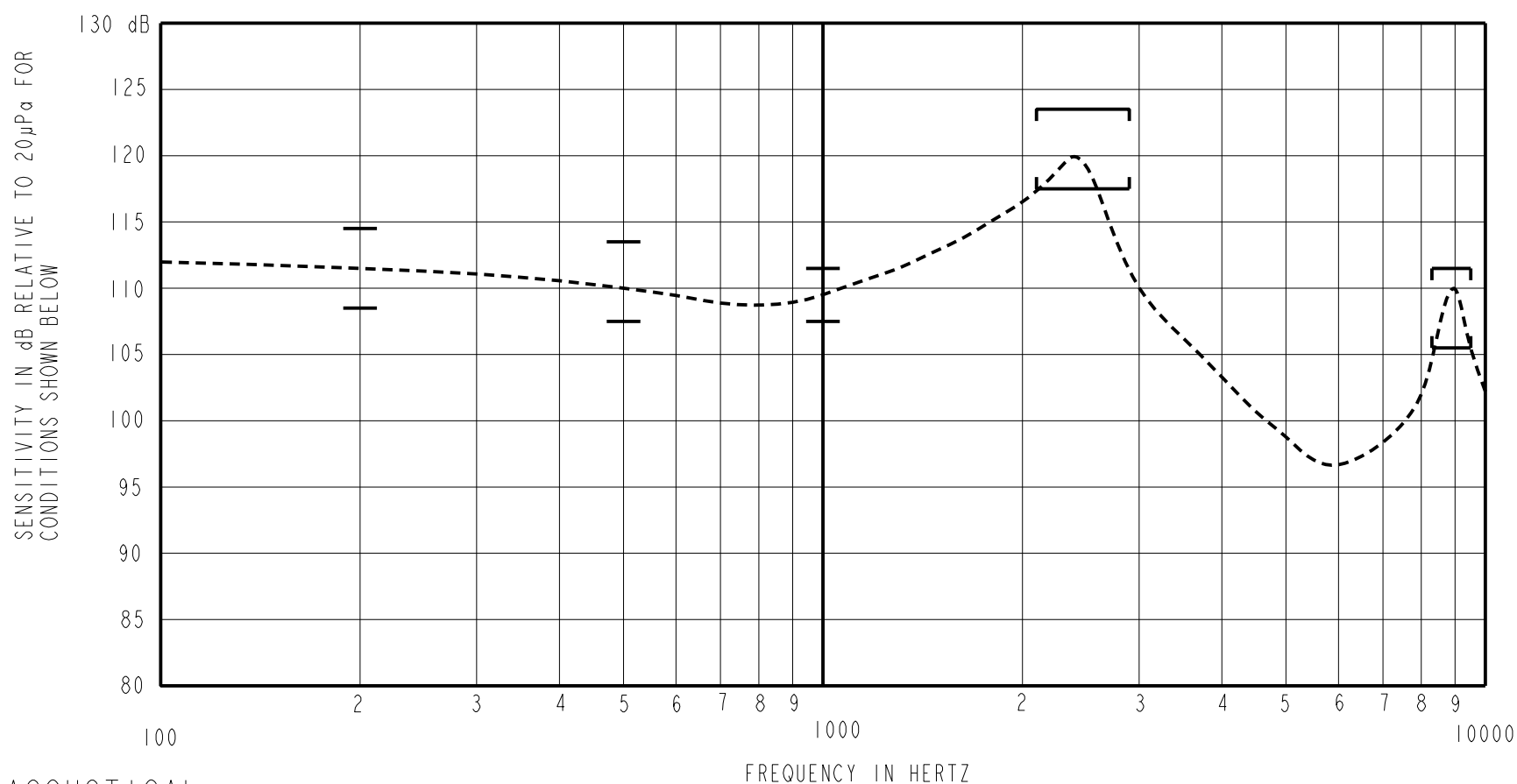
THE SIRENS SR6438NWS-000 IS A MAGNETIC BALANCED ARMATURE RECEIVER OPTIMIZED FOR USE IN EARPHONES.

NO DAMPING

SR6438NWS-000

SHEET 2.1

NOTE: SPECIFICATIONS FOLLOWED BY AN ASTERISK (*) ARE 100 % TESTED



ACOUSTICAL

SENSITIVITY

DEVICE WILL PRODUCE THE SPL LISTED BELOW UNDER TEST CONDITIONS DESCRIBED IN TABLE 3. NOMINAL SENSITIVITY AT 1kHz IS dB RELATIVE TO 20µPa. ALL OTHER VALUES IN dB RELATIVE TO THE SENSITIVITY AT 1kHz.

FREQUENCY (Hz)	MINIMUM	NOMINAL	MAXIMUM
200	-1.0	+2.0	+5.0
500	-2.0	+1.0	+4.0
1000	-2.0	109.5	+2.0
2100-2900 PEAK	+8.0	+11.0	+14.0
8200-9400 PEAK	0.0	+3.0	+6.0

TABLE 1

TOTAL HARMONIC DISTORTION

DEVICE WILL NOT EXCEED TOTAL HARMONIC DISTORTION LEVELS LISTED BELOW.

FREQUENCY (Hz)	AC DRIVE (V rms)	DC BIAS (V)	MAX (%)
843	0.1	0	5
1264	0.1	0	5
843	0.3	0	10
1264	0.3	0	10

TABLE 2

TEST CONDITIONS

NOMINAL SOURCE VOLTAGE	0.1 V rms, 0 mA DC BIAS
SOURCE IMPEDANCE	<1 Ohm
TUBING	7mm [.236"] LONG, 2.2mm [.039"] I.D.
COUPLER CAVITY	IEC 60318-4 ("711") COUPLER

TABLE 3

ELECTRICAL

DC RESISTANCE	25.0 Ohms ± 10%
IMPEDANCE @ 500 Hz	36.5 Ohms ± 15%
IMPEDANCE @ 1 KHz	55.5 Ohms ± 15%

TABLE 4

ISOLATION: CASE WILL BE ELECTRICALLY ISOLATED FROM THE COIL CIRCUIT.

MECHANICAL CHARACTERISTICS

SOLDER TYPE: SAC305 (LEAD FREE)
 SOLDERING TEMPERATURE: 400°C FOR 2 SECONDS MAX.
 STORAGE TEMPERATURE: -40°C TO 63°C
 OPERATING TEMPERATURE: 0°C TO 63°C

AT EXTREME ENDS OF THE OPERATING TEMPERATURE THE SENSITIVITY WILL NOT VARY MORE THAN ±3 dB FROM ROOM TEMPERATURE

Revision	C.O. #	Implementation Date	RELEASE LEVEL	REVISION
J	CI0116253	9-25-14	Active	J

KNOWLES ELECTRONICS
 ITASCA, ILLINOIS U.S.A.

WHEN TEST LIMITS ARE USED TO ESTABLISH INCOMING INSPECTION ACCEPTANCE/REJECTION CRITERIA, CORRELATION OF TEST EQUIPMENT WITH KNOWLES IS ALSO REQUIRED FOR ELIMINATION OF EQUIPMENT AND TEST METHOD VARIATION

TITLE: **RECEIVER**
 PERFORMANCE SPECIFICATION

SR6438NWS-000
 SHT 2.1

DR. BY	DATE
MMM	7-5-07
CK. BY	DATE
GJP	7-12-07
APP. BY	DATE
GJP	7-12-07

Mouser Electronics

Authorized Distributor

Click to View Pricing, Inventory, Delivery & Lifecycle Information:

Knowles:

[SR6438NWS-000](#) [SR-31843-000](#) [SR8850NWS-000](#) [SR8850NSS-000](#) [RVA-90017-N04](#) [RVA-90040-N05](#)
[SR6438NWS-003](#) [RVA-90017-N01](#) [RVA-90017-N06](#) [RVA-90017-N02](#) [RVA-90017-N03](#) [RVA-90040-N06](#)