

## FEATURES

- 1.8 V supply operation
- Military temperature range ( $-55^{\circ}\text{C}$  to  $+125^{\circ}\text{C}$ )
- Controlled manufacturing baseline
- Qualification data available on request
- Low power: 110 mW per channel at 125 MSPS
- SNR = 74 dB (to Nyquist)
- SFDR = 90 dBc (to Nyquist)
- DNL =  $\pm 0.8$  LSB (typical); INL =  $\pm 2.0$  LSB (typical)
- Serial LVDS (ANSI-644, default) and low power, reduced signal option (similar to IEEE 1596.3)
- 650 MHz full power analog bandwidth
- 2 V p-p input voltage range
- Serial port control
  - Full chip and individual channel power-down modes
  - Flexible bit orientation
  - Built-in and custom digital test pattern generation
  - Multichip sync and clock divider
  - Programmable output clock and data alignment
  - Programmable output resolution
  - Standby mode

## APPLICATIONS

- Medical ultrasound
- High speed imaging
- Quadrature radio receivers
- Diversity radio receivers
- Test equipment

## GENERAL DESCRIPTION

The **AD9253-EP** is a quad, 14-bit, 125 MSPS analog-to-digital converter (ADC) with an on-chip, sample-and-hold circuit designed for low cost, low power, small size, and ease of use. The product operates at a conversion rate of up to 125 MSPS and is optimized for outstanding dynamic performance and low power in applications where a small package size is critical.

The ADC requires a single 1.8 V power supply and LVPECL-/CMOS-/LVDS-compatible sample rate clock for full performance operation. No external reference or driver components are required for many applications.

The ADC automatically multiplies the sample rate clock for the appropriate LVDS serial data rate. A data clock output (DCO) for capturing data on the output and a frame clock output (FCO) for signaling a new output byte are provided. Individual channel power-down is supported and typically consumes less than 2 mW when all channels are disabled. The ADC contains several features

Rev. B

[Document Feedback](#)

Information furnished by Analog Devices is believed to be accurate and reliable. However, no responsibility is assumed by Analog Devices for its use, nor for any infringements of patents or other rights of third parties that may result from its use. Specifications subject to change without notice. No license is granted by implication or otherwise under any patent or patent rights of Analog Devices. Trademarks and registered trademarks are the property of their respective owners.

## FUNCTIONAL BLOCK DIAGRAM

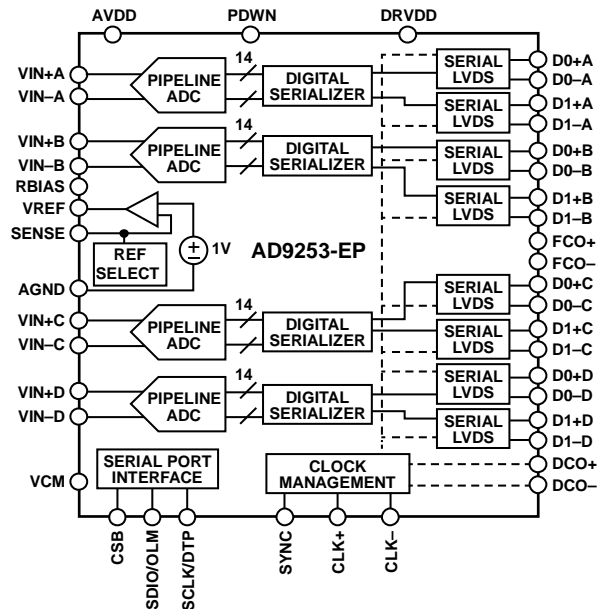


Figure 1.

designed to maximize flexibility and minimize system cost, such as programmable output clock and data alignment and digital test pattern generation. The available digital test patterns include built-in deterministic and pseudorandom patterns, along with custom user-defined test patterns entered via the serial port interface (SPI).

The **AD9253-EP** is available in a RoHS-compliant, 48-lead LFCSP and is specified over an extended temperature range of  $-55^{\circ}\text{C}$  to  $+125^{\circ}\text{C}$ . This product is protected by a U.S. patent. Additional application and technical information can be found in the **AD9253** data sheet.

## PRODUCT HIGHLIGHTS

1. Small Footprint. Four ADCs are contained in a small, space-saving package.
2. Low power of 110 mW/channel at 125 MSPS with scalable power options.
3. Ease of Use. A DCO operates at frequencies of up to 500 MHz and supports double data rate (DDR) operation.
4. User Flexibility. The SPI control offers a wide range of flexible features to meet specific system requirements.

**TABLE OF CONTENTS**

Features .....	1	Switching Specifications .....	6
Applications .....	1	Absolute Maximum Ratings .....	7
General Description .....	1	Thermal Resistance .....	7
Functional Block Diagram .....	1	ESD Caution.....	7
Product Highlights .....	1	Pin Configuration and Function Descriptions.....	8
Revision History .....	2	Typical Performance Characteristics .....	10
Specifications.....	3	Outline Dimensions .....	11
DC Specifications .....	3	Ordering Guide .....	11
AC Specifications.....	4		
Digital Specifications .....	5		

**REVISION HISTORY**

**9/2018—Rev. A to Rev. B**

Changes to Table 7.....	8
Added Typical Performance Characteristics Section .....	10
Added Figure 3, Renumbered Sequentially .....	10
Updated Outline Dimensions .....	11
Changes to Ordering Guide .....	11

**10/2015—Rev. 0 to Rev. A**

Added Note 4, Table 4.....	6
Added Note 1, Table 7 .....	9
Updated Outline Dimensions .....	10

**2/2013—Revision 0: Initial Version**

## SPECIFICATIONS

### DC SPECIFICATIONS

AVDD = 1.8 V, DRVDD = 1.8 V, 2 V p-p differential input, 1.0 V internal reference, AIN = -1.0 dBFS, unless otherwise noted.

Table 1.

Parameter <sup>1</sup>	Temp	Min	Typ	Max	Unit
RESOLUTION		14			Bits
ACCURACY					
No Missing Codes	Full	Guaranteed			
Offset Error	Full	-0.8	-0.3	+0.1	% FSR
Offset Matching	Full	-0.6	+0.2	+0.6	% FSR
Gain Error	Full	-12	-3	+2	% FSR
Gain Matching	Full		1.1	1.6	% FSR
Differential Nonlinearity (DNL)	Full	-0.8		+1.9	LSB
	25°C		±0.8		LSB
Integral Nonlinearity (INL)	Full	-4.5		+4.5	LSB
	25°C		±2.0		LSB
TEMPERATURE DRIFT					
Offset Error	Full		±2		ppm/°C
Gain Error	Full		±50		ppm/°C
INTERNAL VOLTAGE REFERENCE					
Output Voltage (1 V Mode)	Full	0.98	1.0	1.02	V
Load Regulation at 1.0 mA (V <sub>REF</sub> = 1 V)	Full		2		mV
Input Resistance	Full		7.5		kΩ
INPUT-REFERRED NOISE					
V <sub>REF</sub> = 1.0 V	25°C		0.94		LSB rms
ANALOG INPUTS					
Differential Input Voltage (V <sub>REF</sub> = 1 V)	Full		2		V p-p
Common-Mode Voltage	Full		0.9		V
Differential Input Resistance			5.2		kΩ
Differential Input Capacitance	Full		3.5		pF
POWER SUPPLY					
AVDD	Full	1.7	1.8	1.9	V
DRVDD	Full	1.7	1.8	1.9	V
I <sub>AVDD</sub> <sup>2</sup>	Full		183	205	mA
I <sub>DRVDD</sub> (ANSI-644 Mode) <sup>2</sup>	Full		61	63	mA
I <sub>DRVDD</sub> (Reduced Range Mode) <sup>2</sup>	25°C		53		mA
TOTAL POWER CONSUMPTION					
DC Input	Full		403		mW
Sine Wave Input (Four Channels Including Output Drivers ANSI-644 Mode)	Full		440	480	mW
Sine Wave Input (Four Channels Including Output Drivers Reduced Range Mode)	25°C		425		mW
Power-Down Mode	Full		2		mW
Standby Mode <sup>3</sup>	Full		235		mW

<sup>1</sup> See the [AN-835 Application Note](#), *Understanding High Speed ADC Testing and Evaluation*, for definitions and for details on how these tests were completed.

<sup>2</sup> Measured with a low input frequency, full-scale sine wave on all four channels.

<sup>3</sup> It can be controlled via the SPI.

## AC SPECIFICATIONS

AVDD = 1.8 V, DRVDD = 1.8 V, 2 V p-p differential input, 1.0 V internal reference, AIN = -1.0 dBFS, unless otherwise noted.

Table 2.

Parameter <sup>1</sup>	Temp	Min	Typ	Max	Unit
SIGNAL-TO-NOISE RATIO (SNR)					
$f_{IN} = 9.7$ MHz	25°C		75.3		dBFS
$f_{IN} = 30.5$ MHz	25°C		75.2		dBFS
$f_{IN} = 70$ MHz	Full	72	74.1		dBFS
$f_{IN} = 140$ MHz	25°C		72.2		dBFS
$f_{IN} = 200$ MHz	25°C		70.7		dBFS
SIGNAL-TO-NOISE-AND-DISTORTION RATIO (SINAD)					
$f_{IN} = 9.7$ MHz	25°C		75.2		dBFS
$f_{IN} = 30.5$ MHz	25°C		75.1		dBFS
$f_{IN} = 70$ MHz	Full	71.7	74.0		dBFS
$f_{IN} = 140$ MHz	25°C		71.9		dBFS
$f_{IN} = 200$ MHz	25°C		70.4		dBFS
EFFECTIVE NUMBER OF BITS (ENOB)					
$f_{IN} = 9.7$ MHz	25°C		12.2		Bits
$f_{IN} = 30.5$ MHz	25°C		12.2		Bits
$f_{IN} = 70$ MHz	Full		12.0		Bits
$f_{IN} = 140$ MHz	25°C		11.7		Bits
$f_{IN} = 200$ MHz	25°C		11.4		Bits
SPURIOUS-FREE DYNAMIC RANGE (SFDR)					
$f_{IN} = 9.7$ MHz	25°C		98		dBc
$f_{IN} = 30.5$ MHz	25°C		92		dBc
$f_{IN} = 70$ MHz	Full	76	90		dBc
$f_{IN} = 140$ MHz	25°C		85		dBc
$f_{IN} = 200$ MHz	25°C		83		dBc
WORST HARMONIC (SECOND OR THIRD)					
$f_{IN} = 9.7$ MHz	25°C		-98		dBc
$f_{IN} = 30.5$ MHz	25°C		-92		dBc
$f_{IN} = 70$ MHz	Full		-90	-76	dBc
$f_{IN} = 140$ MHz	25°C		-85		dBc
$f_{IN} = 200$ MHz	25°C		-83		dBc
WORST OTHER HARMONIC (EXCLUDING SECOND OR THIRD)					
$f_{IN} = 9.7$ MHz	25°C		-101		dBFS
$f_{IN} = 30.5$ MHz	25°C		-100		dBFS
$f_{IN} = 70$ MHz	Full		-95	-83	dBFS
$f_{IN} = 140$ MHz	25°C		-96		dBFS
$f_{IN} = 200$ MHz	25°C		-92		dBFS
TWO-TONE INTERMODULATION DISTORTION (IMD)—AIN1 AND AIN2 = -7.0 dBFS					
$f_{IN1} = 70.5$ MHz, $f_{IN2} = 72.5$ MHz	25°C		86		dBc
CROSSTALK <sup>2</sup>					
	Full		-95		dB
CROSSTALK (OVERRANGE CONDITION) <sup>3</sup>					
	25°C		-89		dB
POWER SUPPLY REJECTION RATIO (PSRR) <sup>4</sup>					
AVDD	25°C		48		dB
DRVDD	25°C		75		dB
ANALOG INPUT BANDWIDTH, FULL POWER					
	25°C		650		MHz

<sup>1</sup> See the [AN-835 Application Note, Understanding High Speed ADC Testing and Evaluation](#), for definitions and for details on how these tests were completed.

<sup>2</sup> Crosstalk is measured at 70 MHz with an -1.0 dBFS analog input on one channel and no input on the adjacent channel.

<sup>3</sup> The overrange condition is specified with 3 dB of the full-scale input range.

<sup>4</sup> PSRR is measured by injecting a sinusoidal signal at 10 MHz to the power supply pin and measuring the output spur on the FFT. PSRR is calculated as the ratio of the amplitudes of the spur voltage over the pin voltage, expressed in decibels.

**DIGITAL SPECIFICATIONS**

AVDD = 1.8 V, DRVDD = 1.8 V, 2 V p-p differential input, 1.0 V internal reference, AIN = -1.0 dBFS, unless otherwise noted.

**Table 3.**

Parameter <sup>1</sup>	Temp	Min	Typ	Max	Unit
CLOCK INPUTS (CLK+, CLK-)					
Logic Compliance		CMOS/LVDS/LVPECL			
Differential Input Voltage <sup>2</sup>	Full	0.2		3.6	V p-p
Input Voltage Range	Full	AGND - 0.2		AVDD + 0.2	V
Input Common-Mode Voltage	Full		0.9		V
Input Resistance (Differential)	25°C		15		kΩ
Input Capacitance	25°C		4		pF
LOGIC INPUTS (PDWN, SYNC, SCLK)					
Logic 1 Voltage	Full	1.2		AVDD + 0.2	V
Logic 0 Voltage	Full	0		0.8	V
Input Resistance	25°C		30		kΩ
Input Capacitance	25°C		2		pF
LOGIC INPUT (CSB)					
Logic 1 Voltage	Full	1.2		AVDD + 0.2	V
Logic 0 Voltage	Full	0		0.8	V
Input Resistance	25°C		26		kΩ
Input Capacitance	25°C		2		pF
LOGIC INPUT (SDIO/OLM)					
Logic 1 Voltage	Full	1.2		AVDD + 0.2	V
Logic 0 Voltage	Full	0		0.8	V
Input Resistance	25°C		26		kΩ
Input Capacitance	25°C		5		pF
LOGIC OUTPUT (SDIO/OLM) <sup>3</sup>					
Logic 1 Voltage (I <sub>OH</sub> = 800 μA)	Full		1.79		V
Logic 0 Voltage (I <sub>OL</sub> = 50 μA)	Full			0.05	V
DIGITAL OUTPUTS (D0±x, D1±x), ANSI-644					
Logic Compliance		LVDS			
Differential Output Voltage (V <sub>OD</sub> )	Full	290	345	400	mV
Output Offset Voltage (V <sub>OS</sub> )	Full	1.15	1.25	1.35	V
Output Coding (Default)		Twos complement			
DIGITAL OUTPUTS (D0±x, D1±x), LOW POWER, REDUCED SIGNAL OPTION					
Logic Compliance		LVDS			
Differential Output Voltage (V <sub>OD</sub> )	Full	160	200	230	mV
Output Offset Voltage (V <sub>OS</sub> )	Full	1.15	1.25	1.35	V
Output Coding (Default)		Twos complement			

<sup>1</sup> See the [AN-835 Application Note](#), *Understanding High Speed ADC Testing and Evaluation*, for definitions and for details on how these tests were completed.

<sup>2</sup> This is specified for LVDS and LVPECL only.

<sup>3</sup> This is specified for 13 SDIO/OLM pins sharing the same connection.

## SWITCHING SPECIFICATIONS

AVDD = 1.8 V, DRVDD = 1.8 V, 2 V p-p differential input, 1.0 V internal reference, AIN = -1.0 dBFS, unless otherwise noted.

Table 4.

Parameter <sup>1,2</sup>	Temp	Min	Typ	Max	Unit
<b>CLOCK<sup>3</sup></b>					
Input Clock Rate	Full	10		1000	MHz
Conversion Rate <sup>4</sup>	Full	10		125	MSPS
Clock Pulse Width High ( $t_{EH}$ )	Full		4.00		ns
Clock Pulse Width Low ( $t_{EL}$ )	Full		4.00		ns
<b>OUTPUT PARAMETERS<sup>3</sup></b>					
Propagation Delay ( $t_{PD}$ )	Full		2.3		ns
Rise Time ( $t_R$ ) (20% to 80%)	Full		300		ps
Fall Time ( $t_F$ ) (20% to 80%)	Full		300		ps
FCO Propagation Delay ( $t_{FCO}$ )	Full	1.5	2.3	3.1	ns
DCO Propagation Delay ( $t_{CPD}$ ) <sup>5</sup>	Full		$t_{FCO} + (t_{SAMPLE}/16)$		ns
DCO-to-Data Delay ( $t_{DATA}$ ) <sup>5</sup>	Full	$(t_{SAMPLE}/16) - 300$	$(t_{SAMPLE}/16)$	$(t_{SAMPLE}/16) + 300$	ps
DCO-to-FCO Delay ( $t_{FRAME}$ ) <sup>5</sup>	Full	$(t_{SAMPLE}/16) - 300$	$(t_{SAMPLE}/16)$	$(t_{SAMPLE}/16) + 300$	ps
Lane Delay ( $t_{LD}$ )			90		ps
Data to Data Skew ( $t_{DATA-MAX} - t_{DATA-MIN}$ )	Full		$\pm 50$	$\pm 200$	ps
Wake-Up Time (Standby)	25°C		250		ns
Wake-Up Time (Power-Down) <sup>6</sup>	25°C		375		$\mu$ s
Pipeline Latency	Full		16		Clock cycles
<b>APERTURE</b>					
Aperture Delay ( $t_A$ )	25°C		1		ns
Aperture Uncertainty (Jitter, $t_j$ )	25°C		135		fs rms
Out-of-Range Recovery Time	25°C		1		Clock cycles

<sup>1</sup> See the [AN-835 Application Note, Understanding High Speed ADC Testing and Evaluation](#), for definitions and for details on how these tests were completed.

<sup>2</sup> Measured on standard FR-4 material.

<sup>3</sup> Can be adjusted via the SPI. The conversion rate is the clock rate after the divider.

<sup>4</sup> The maximum conversion rate is based on two-lane output mode. See the Digital Outputs and Timing section of the [AD9253](#) data sheet for the maximum conversion rate in one-lane output mode.

<sup>5</sup>  $t_{SAMPLE}/16$  is based on the number of bits in two LVDS data lanes.  $t_{SAMPLE} = 1/f_s$ .

<sup>6</sup> Wake-up time is defined as the time required to return to normal operation from power-down mode.

## ABSOLUTE MAXIMUM RATINGS

Table 5.

Parameter	Rating
Electrical	
AVDD to AGND	−0.3 V to +2.0 V
DRVDD to AGND	−0.3 V to +2.0 V
Digital Outputs (D0±x, D1±x, DCO+, DCO−, FCO+, FCO−) to AGND	−0.3 V to +2.0 V
CLK+, CLK− to AGND	−0.3 V to +2.0 V
VIN+x, VIN−x to AGND	−0.3 V to +2.0 V
SCLK/DTP, SDIO/OLM, CSB to AGND	−0.3 V to +2.0 V
SYNC, PDWN to AGND	−0.3 V to +2.0 V
RBIAS to AGND	−0.3 V to +2.0 V
VREF, SENSE to AGND	−0.3 V to +2.0 V
Environmental	
Operating Temperature Range (Ambient)	−55°C to +125°C
Maximum Junction Temperature	150°C
Lead Temperature (Soldering, 10 sec)	300°C
Storage Temperature Range (Ambient)	−65°C to +150°C

Stresses at or above those listed under Absolute Maximum Ratings may cause permanent damage to the product. This is a stress rating only; functional operation of the product at these or any other conditions above those indicated in the operational section of this specification is not implied. Operation beyond the maximum operating conditions for extended periods may affect product reliability.

## THERMAL RESISTANCE

Table 6.

Package Type	Air Flow Velocity (m/sec)	$\theta_{JA}^1$	$\Psi_{JT}$	$\Psi_{JB}$	$\theta_{JC}$ TOP	$\theta_{JC}$ BOTTOM	Unit
48-Lead LFCSP	0.0	20.3	0.10	5.9	6.1	1.0	°C/W
	1.0	17.6	0.16	N/A <sup>2</sup>	N/A <sup>2</sup>	N/A <sup>2</sup>	°C/W
	2.5	16.5	0.20	N/A <sup>2</sup>	N/A <sup>2</sup>	N/A <sup>2</sup>	°C/W

<sup>1</sup>  $\theta_{JA}$  for a 4-layer printed circuit board (PCB) with solid ground plane (simulated). Exposed pad soldered to PCB.

<sup>2</sup> N/A = not applicable.

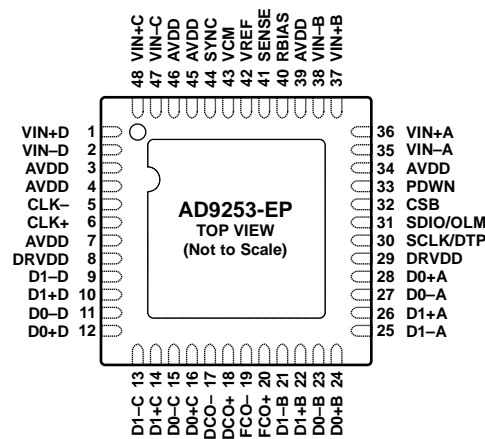
## ESD CAUTION



### ESD (electrostatic discharge) sensitive device.

Charged devices and circuit boards can discharge without detection. Although this product features patented or proprietary protection circuitry, damage may occur on devices subjected to high energy ESD. Therefore, proper ESD precautions should be taken to avoid performance degradation or loss of functionality.

## PIN CONFIGURATION AND FUNCTION DESCRIPTIONS



**NOTES**  
 1. THE EXPOSED THERMAL PAD ON THE BOTTOM OF THE PACKAGE PROVIDES THE ANALOG GROUND FOR THE PART. THIS EXPOSED PAD MUST BE CONNECTED TO GROUND FOR PROPER OPERATION.

11074-007

Figure 2. Pin Configuration, Top View

Table 7. Pin Function Descriptions

Pin No.	Mnemonic	Description
0	AGND, Exposed Pad	Analog Ground, Exposed Pad. The exposed thermal pad on the bottom of the package provides the analog ground for the part. This exposed pad must be connected to ground for proper operation.
1	VIN+D	ADC D Analog Input True.
2	VIN-D	ADC D Analog Input Complement.
3, 4, 7, 34, 39, 45, 46	AVDD	1.8 V Analog Supply Pins.
5, 6	CLK-, CLK+	Differential Encode Clock. PECL, LVDS, or 1.8 V CMOS inputs.
8, 29	DRVDD	Digital Output Driver Supply.
9, 10	D1-D, D1+D	Channel D Digital Outputs, Disabled in One-Lane Mode <sup>1</sup> .
11, 12	D0-D, D0+D	Channel D Digital Outputs, Disabled in One-Lane Mode <sup>1</sup> .
13, 14	D1-C, D1+C	Channel C Digital Outputs (Channel D Digital Outputs in One-Lane Mode <sup>1</sup> ).
15, 16	D0-C, D0+C	Channel C Digital Outputs.
17, 18	DCO-, DCO+	Data Clock Outputs.
19, 20	FCO-, FCO+	Frame Clock Outputs.
21, 22	D1-B, D1+B	Channel B Digital Outputs.
23, 24	D0-B, D0+B	Channel B Digital Outputs (Channel A Digital Outputs in One-Lane Mode <sup>1</sup> ).
25, 26	D1-A, D1+A	Channel A Digital Outputs, Disabled in One-Lane Mode <sup>1</sup> .
27, 28	D0-A, D0+A	Channel A Digital Outputs, Disabled in One-Lane Mode <sup>1</sup> .
30	SCLK/DTP	SPI Clock Input/Digital Test Pattern.
31	SDIO/OLM	SPI Data Input and Output Bidirectional SPI Data/Output Lane Mode.
32	CSB	SPI Chip Select Bar. Active low enable; 30 k $\Omega$ internal pull-up resistor.
33	PDWN	Digital Input, 30 k $\Omega$ Internal Pull-Down Resistor. PDWN high = power-down device. PDWN low = run device, normal operation.
35	VIN-A	ADC A Analog Input Complement.
36	VIN+A	ADC A Analog Input True.
37	VIN+B	ADC B Analog Input True.
38	VIN-B	ADC B Analog Input Complement.
40	RBIAS	Sets Analog Current Bias. Connect to 10 k $\Omega$ (1% tolerance) resistor to ground.
41	SENSE	Reference Mode Selection.



Pin No.	Mnemonic	Description
42	VREF	Voltage Reference Input and Output.
43	VCM	Analog Output at Midsupply Voltage. Sets the common mode of the analog inputs, external to the ADC.
44	SYNC	Digital Input. SYNC input to clock divider.
47	VIN-C	ADC C Analog Input Complement.
48	VIN+C	ADC C Analog Input True.

<sup>1</sup> Output channel assignments are shown first for default two-lane mode. If one-lane mode is used, output channel assignments change as indicated in parenthesis. Register 0x21, Bits[6:4] invoke one-lane mode.

## TYPICAL PERFORMANCE CHARACTERISTICS

For full typical performance characteristics, refer to the [AD9253](#) data sheet.

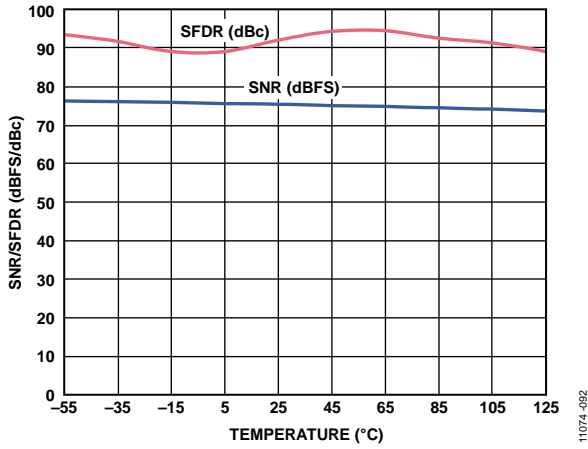
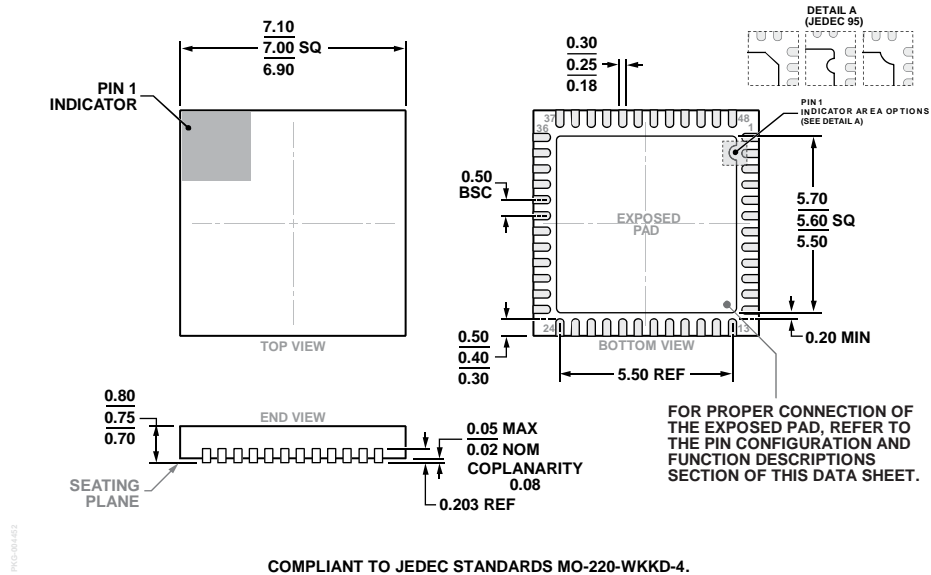


Figure 3. SNR/SFDR vs. Temperature,  $f_{IN} = 5 \text{ MHz}$ ,  $f_{SAMPLE} = 125 \text{ MSPS}$

# OUTLINE DIMENSIONS



## ORDERING GUIDE

Model <sup>1</sup>	Temperature Range	Package Description	Package Option
AD9253TCPZ-125EP	-55°C to +125°C	48-Lead Lead Frame Chip Scale Package [LFCSP]	CP-48-13
AD9253TCPZR7-125EP	-55°C to +125°C	48-Lead Lead Frame Chip Scale Package [LFCSP]	CP-48-13

<sup>1</sup> Z = RoHS Compliant Part.

# Mouser Electronics

Authorized Distributor

Click to View Pricing, Inventory, Delivery & Lifecycle Information:

## [Analog Devices Inc.:](#)

[AD9253-125EBZ](#) [AD9253BCPZ-125](#) [AD9253BCPZRL7-80](#) [AD9253BCPZ-105](#) [AD9253TCPZ-125EP](#) [AD9253BCPZ-80](#) [AD9253BCPZRL7-105](#) [AD9253TCPZR7-125EP](#) [AD9253BCPZRL7-125](#)