

Customer Information Sheet

DRAWING No.: M80-576XX05

SHEET 2 OF 2

IF IN DOUBT - ASK

©

NOT TO SCALE

THIRD ANGLE PROJECTION

ALL DIMENSIONS IN mm

SPECIFICATIONS:

MATERIAL:
 MOULDING = GLASS-FILLED PPS, UL94V-0, BLACK
 CONTACT = COPPER ALLOY

FINISH:
 CONTACTS = 0.25-0.3µ GOLD

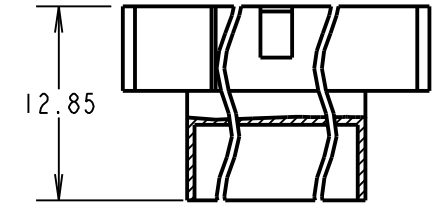
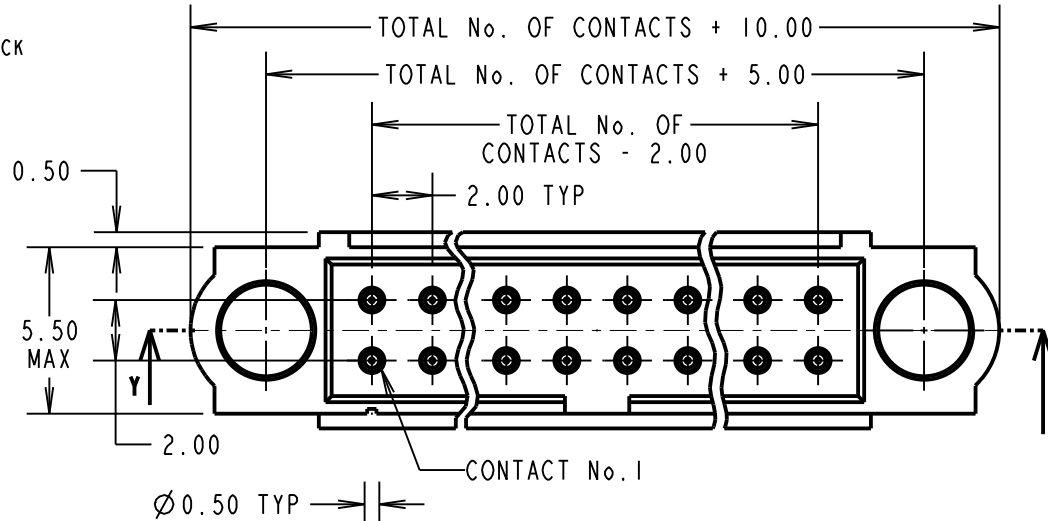
ELECTRICAL:
 CURRENT RATING AT 25°C = 3.0A MAX
 CURRENT RATING AT 85°C = 2.2A MAX
 WORKING VOLTAGE = 800V AC/DC
 VOLTAGE PROOF = 1200V AC/DC
 CONTACT RESISTANCE = 25mΩ MAX
 INSULATION RESISTANCE = 100MΩ MIN

MECHANICAL:
 DURABILITY = 500 OPERATIONS

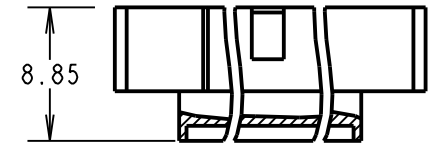
ENVIRONMENTAL:
 TEMPERATURE RANGE = -55°C TO +125°C

PACKING:
 LOOSE

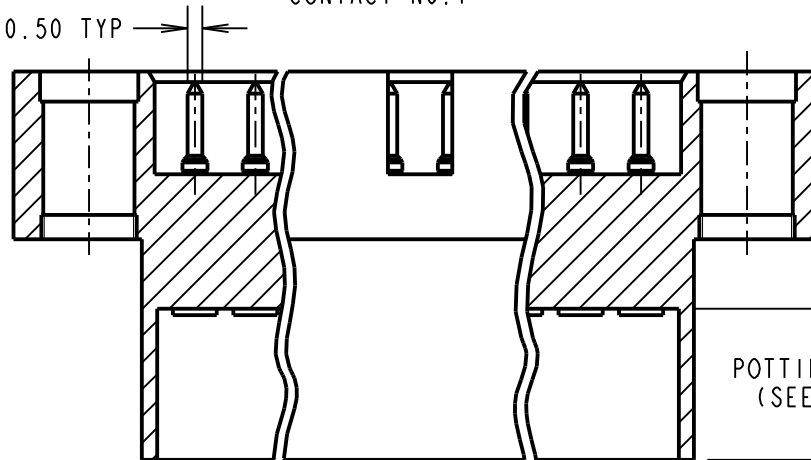
FOR COMPLETE SPECIFICATION, SEE COMPONENT SPECIFICATION C005XX (LATEST ISSUE)



5mm POTTING WALL (M80-576XX05)



1mm POTTING WALL (M80-576XX05A)



POTTING WALL HEIGHT (SEE ORDER CODE)

ORDER CODE:
M80-575XX05X

TOTAL No. OF CONTACTS
 06, 10, 14,
 20, 26, 34,

POTTING WALL HEIGHT
 BLANK = 5mm
 A = 1mm

NOTES:

- CONNECTORS ARE SUPPLIED WITH CONTACTS LOOSE.
- FOR EXTRA CONTACTS, USE PART NUMBER M80-1950005.
- RECOMMENDED WIRE TYPE = BS 3G 210 TYPE A, PTFE INSULATED 24-28 AWG. MAX INSULATION DIAMETER = Ø1.10mm, STRIP WIRE BY 2.00mm.
- RECOMMENDED HAND CRIMP TOOL = M22520/2-01 WITH POSITIONER Z80-193. REFER TO TOOLING INSTRUCTION SHEET IS-01 FOR CRIMPING INSTRUCTIONS.
- CONTACT INSERTION AND EXTRACTION TOOL = Z80-280. REFER TO TOOLING INSTRUCTION SHEET IS-25 FOR ASSEMBLY INSTRUCTIONS.

MSP	6	16.09.15	13088
NAME	ISS.	DATE	C/NOTE
APPROVED:		M. PERREN	
CHECKED:		M. PLESTED	
DRAWN:		B. M. KENT	
CUSTOMER REF.:			
ASSEMBLY DRG:			

HARWIN

www.harwin.com
 technical@harwin.com

THIS DRAWING AND ANY INFORMATION OR DESCRIPTIVE MATTER SET OUT HEREON ARE CONFIDENTIAL AND COPYRIGHT PROPERTY OF THE HARWIN GROUP AND MUST NOT BE DISCLOSED, LOANED, COPIED OR USED FOR MANUFACTURING, TENDERING OR FOR ANY OTHER PURPOSE WITHOUT THEIR WRITTEN PERMISSION.

TOLERANCES
 X. = ±1mm
 X.X = ±0.50mm
 X.XX = ±0.10mm
 X.XXX = ±0.01mm

ANGLES = ±5°
 UNLESS STATED

MATERIAL:

SEE ABOVE

FINISH: SEE ABOVE

S/AREA: mm²

TITLE:

DATAMATE J-TEK
 DIL MALE CRIMP (SMALL BORE)
 POTTING WALL ASSEMBLY
 (WITHOUT JACKSCREWS)

DRAWING NUMBER:

M80-576XX05

SHT
 2 OF 2

Mouser Electronics

Authorized Distributor

Click to View Pricing, Inventory, Delivery & Lifecycle Information:

Harwin:

[M80-5603405](#) [M80-4612001](#) [M80-5221022](#) [M80-5604205](#) [M80-4710601](#) [M80-4711401](#) [M80-4702001](#) [M80-4614201](#) [M80-5762005](#) [M80-4703401](#) [M80-5761405](#) [M80-5762605](#) [M80-4705005](#) [M80-4704242](#) [M80-4610642](#) [M80-4611042](#) [M80-4611405](#) [M80-4611442](#) [M80-4712005](#) [M80-4605005](#) [M80-4604242](#) [M80-4711042](#) [M80-4711405](#) [M80-4711442](#) [M80-4702042](#) [M80-4614242](#) [M80-4703405](#) [M80-4702642](#) [M80-4612042](#) [M80-4600642](#) [M80-4600605](#) [M80-5221042](#) [M80-5222042](#) [M80-5225042](#) [M80-4650605](#) [M80-4651005](#) [M80-4653405](#) [M80-4654205](#) [M80-4660605](#) [M80-4661005](#) [M80-4663405](#) [M80-4664205](#) [M80-4750605](#) [M80-4751005](#) [M80-4753405](#) [M80-4754205](#) [M80-4760605](#) [M80-4761005](#) [M80-4763405](#) [M80-4764205](#) [M80-4800605](#) [M80-4800642](#) [M80-4801005](#) [M80-4801042](#) [M80-4801405](#) [M80-4801442](#) [M80-4802005](#) [M80-4802042](#) [M80-4802605](#) [M80-4802642](#) [M80-4803405](#) [M80-4803442](#) [M80-4804205](#) [M80-4804242](#) [M80-4805005](#) [M80-4805042](#) [M80-4810605](#) [M80-4810642](#) [M80-4811005](#) [M80-4811042](#) [M80-4811405](#) [M80-4811442](#) [M80-4812005](#) [M80-4812042](#) [M80-4812605](#) [M80-4812642](#) [M80-4813405](#) [M80-4813442](#) [M80-4814205](#) [M80-4814242](#) [M80-4815005](#) [M80-4815042](#) [M80-5014242](#) [M80-5114242](#) [M80-5204242](#) [M80-5214242](#) [M80-5304242](#) [M80-5314242](#) [M80-5404242](#) [M80-5514242](#) [M80-4630605](#) [M80-4632005](#) [M80-5630605](#) [M80-5632005](#) [M80-4611205](#) [M80-4611242](#) [M80-4613805](#) [M80-5601005](#) [M80-5601405](#) [M80-5602005](#)