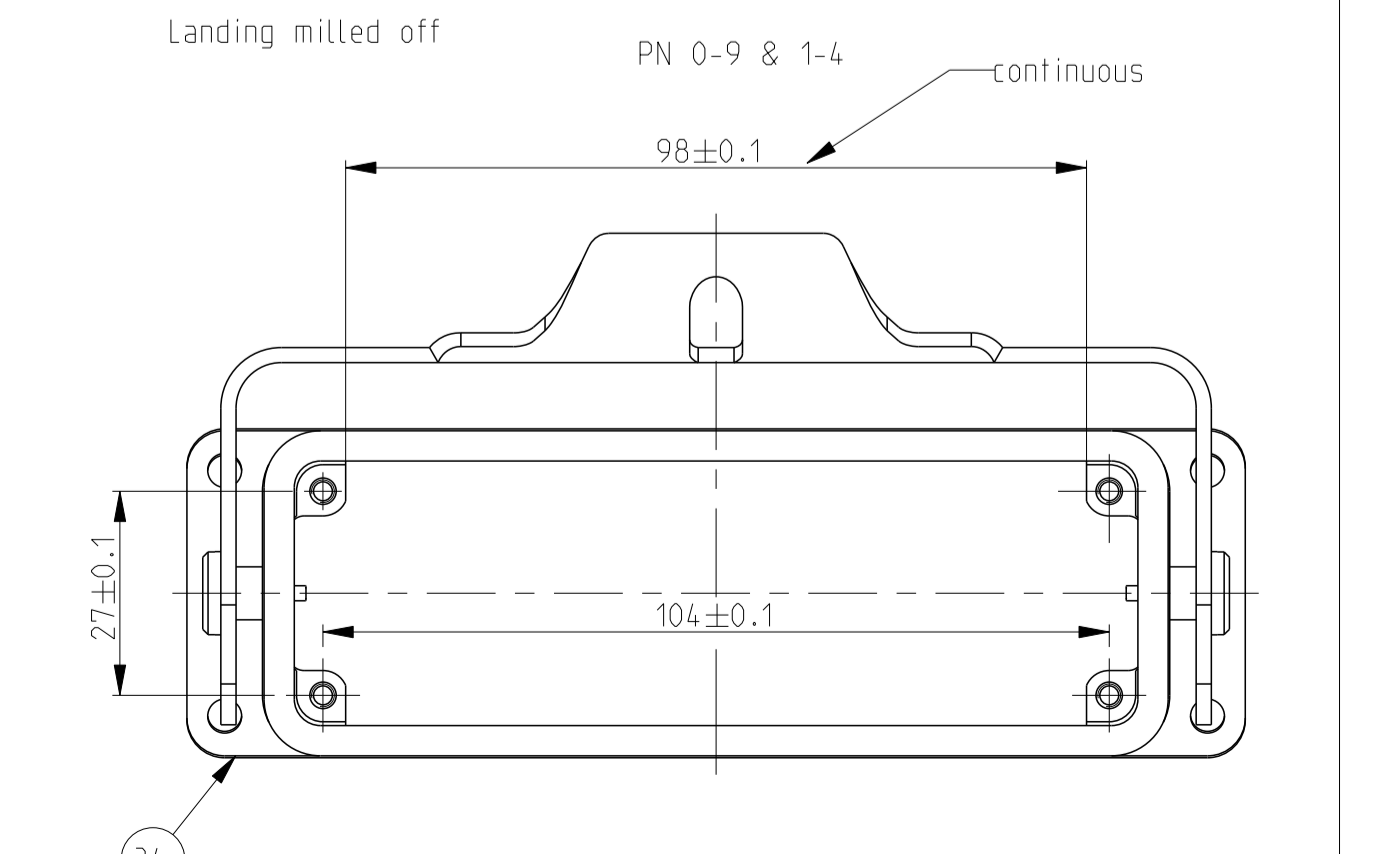
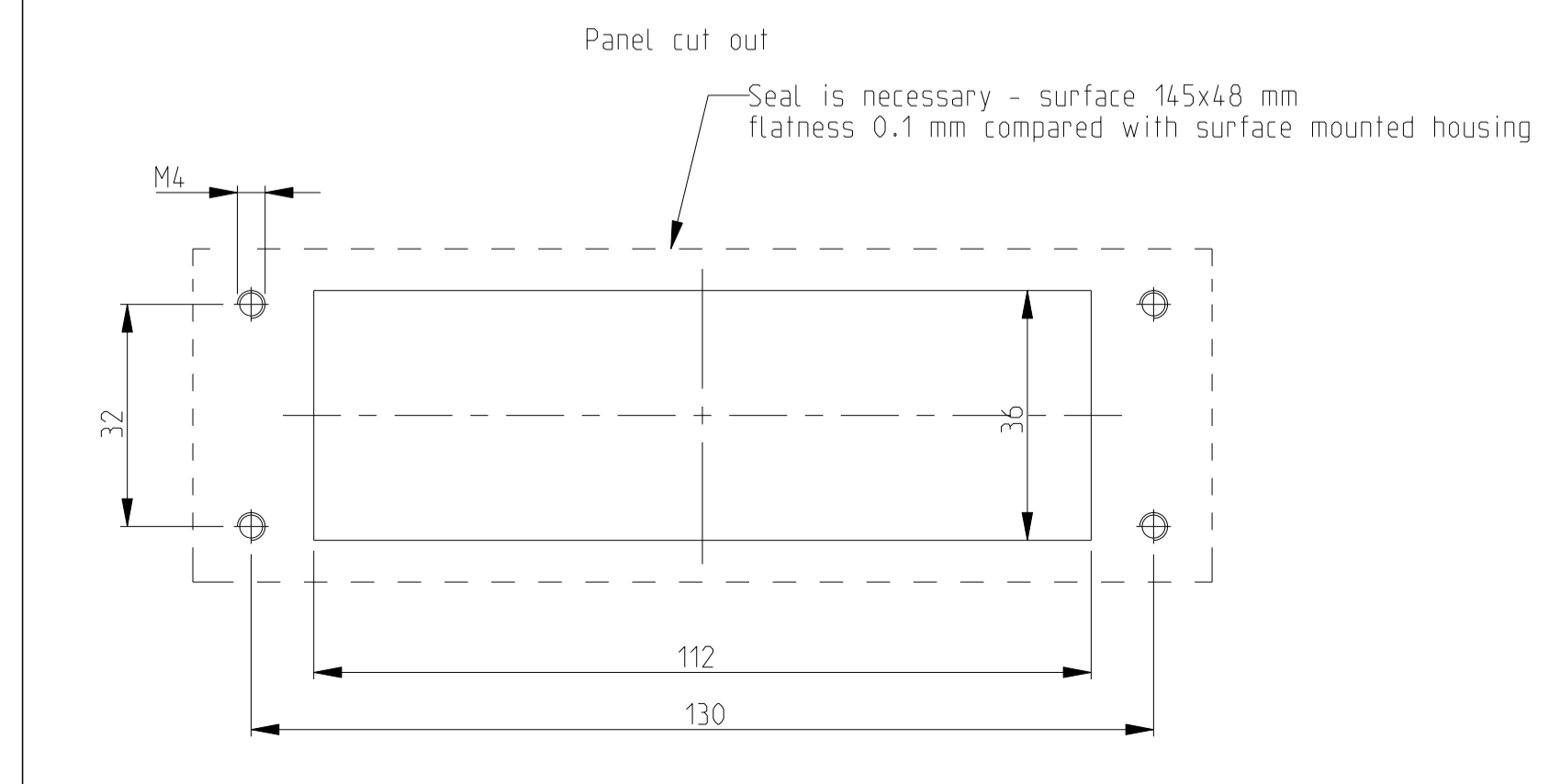
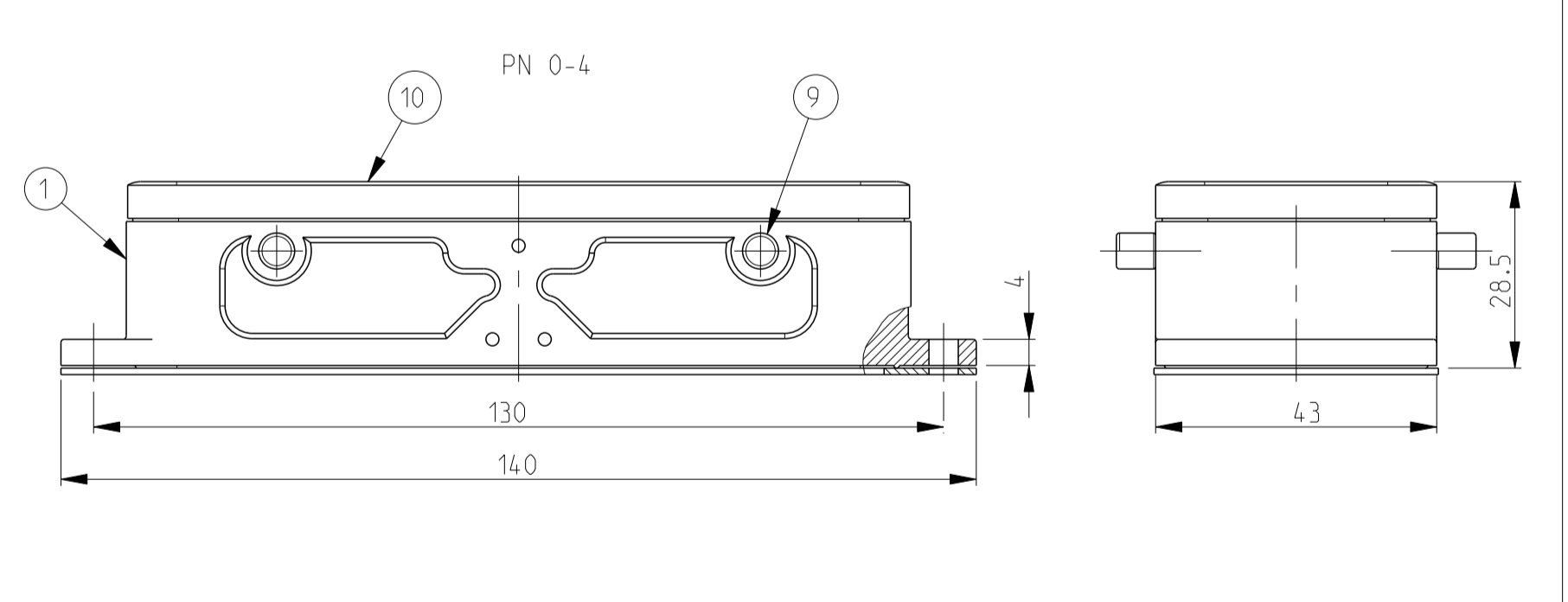
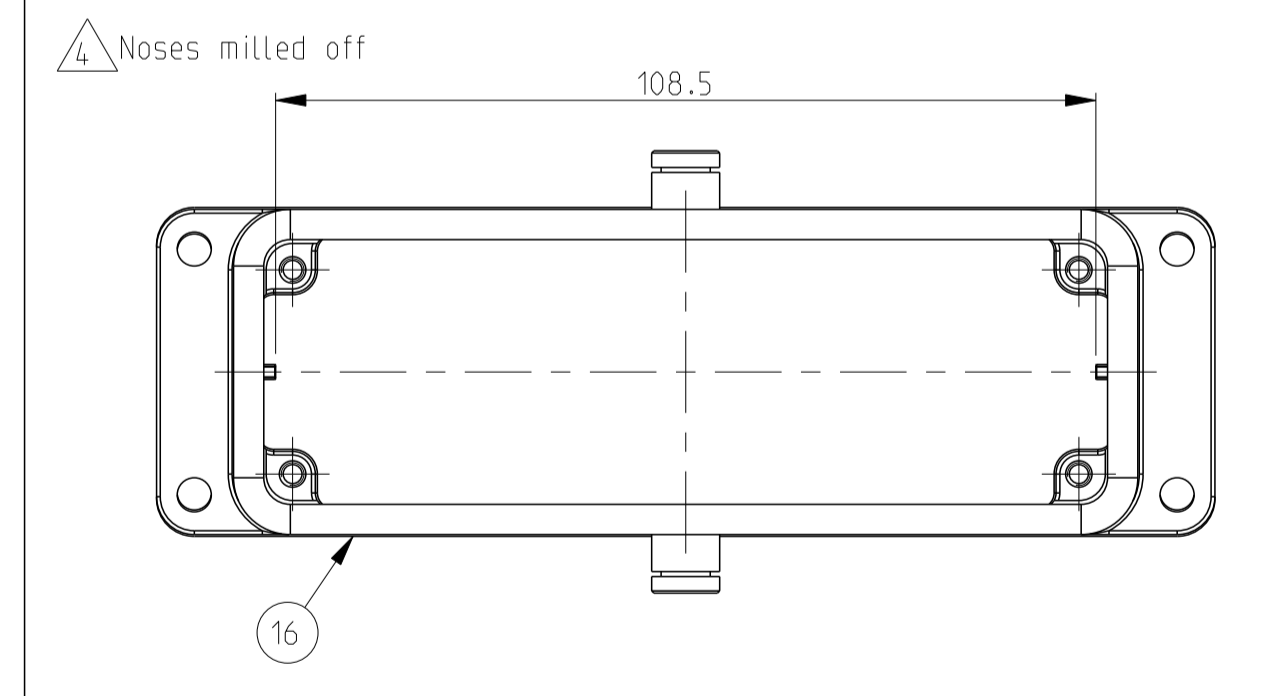
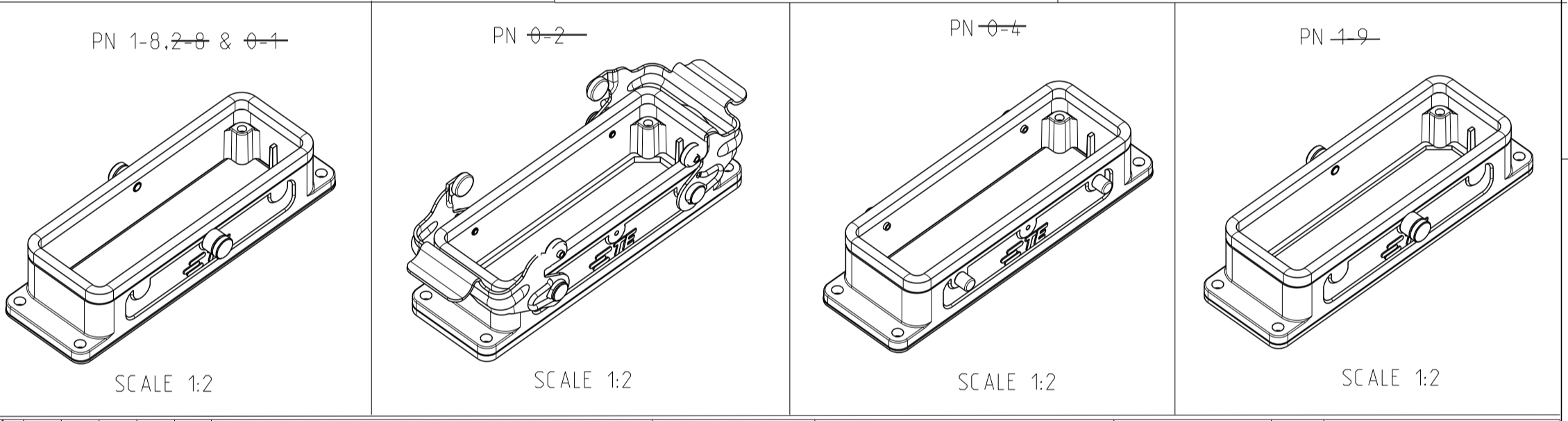
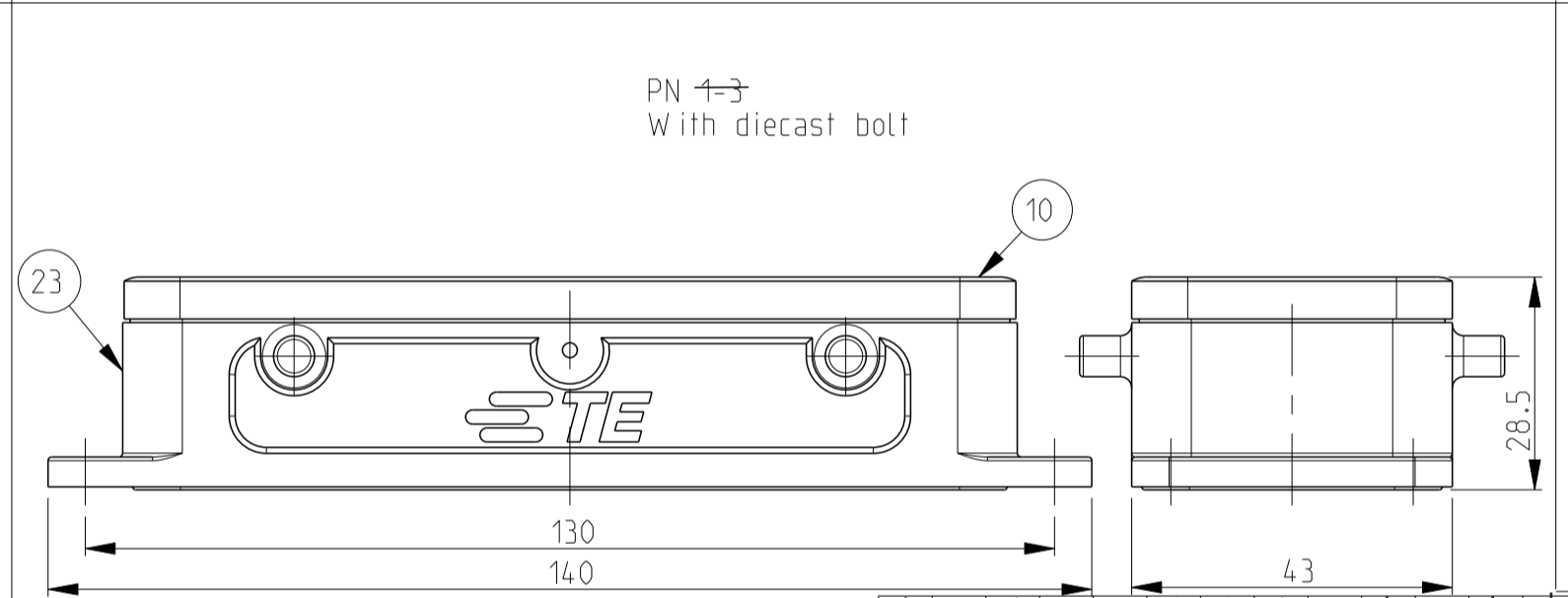
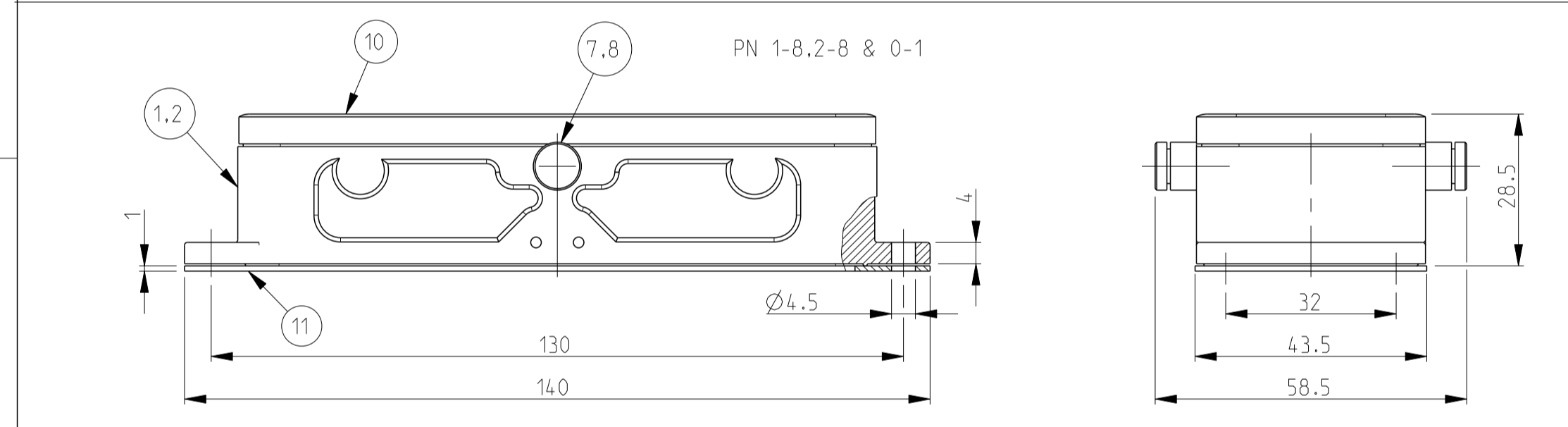
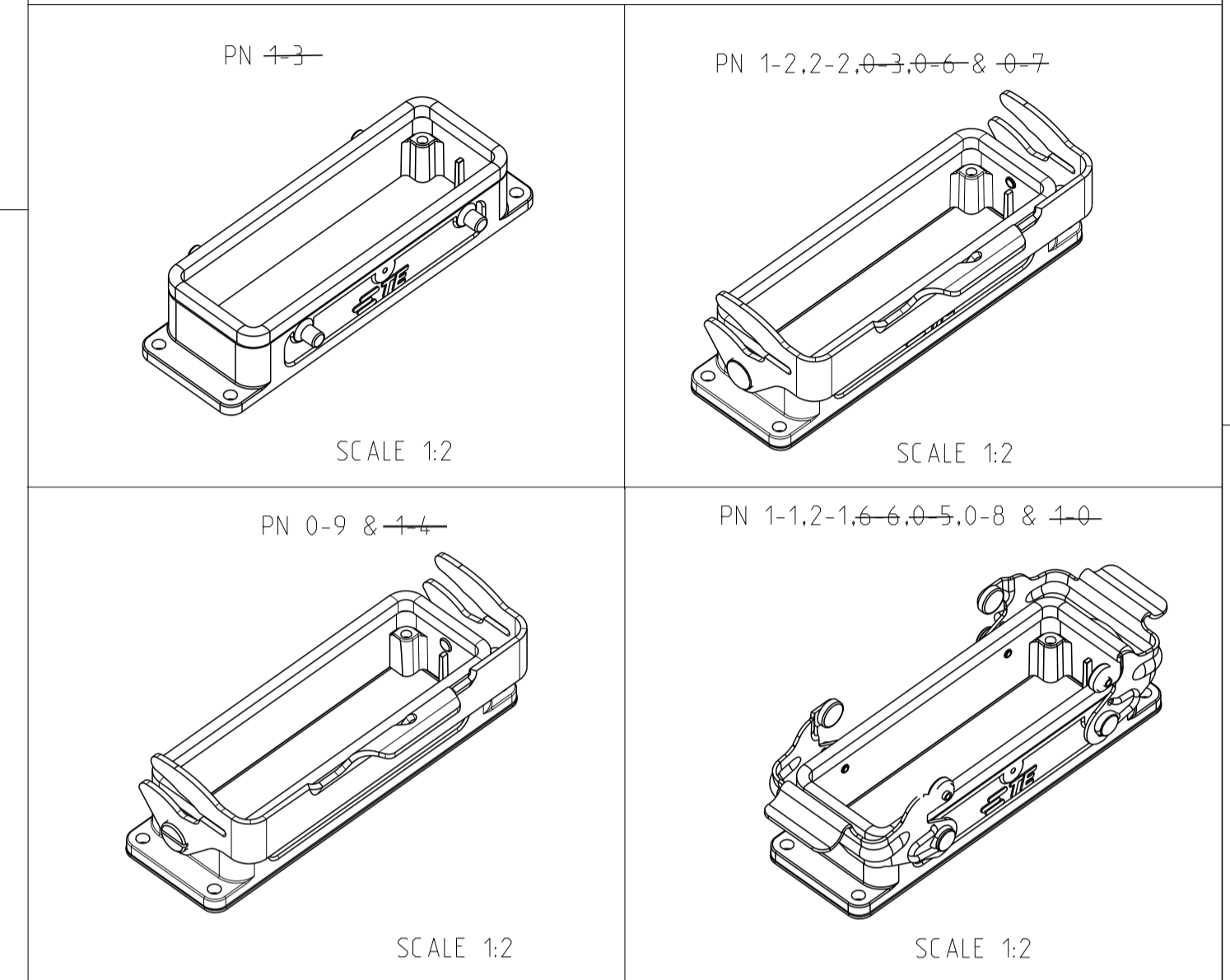
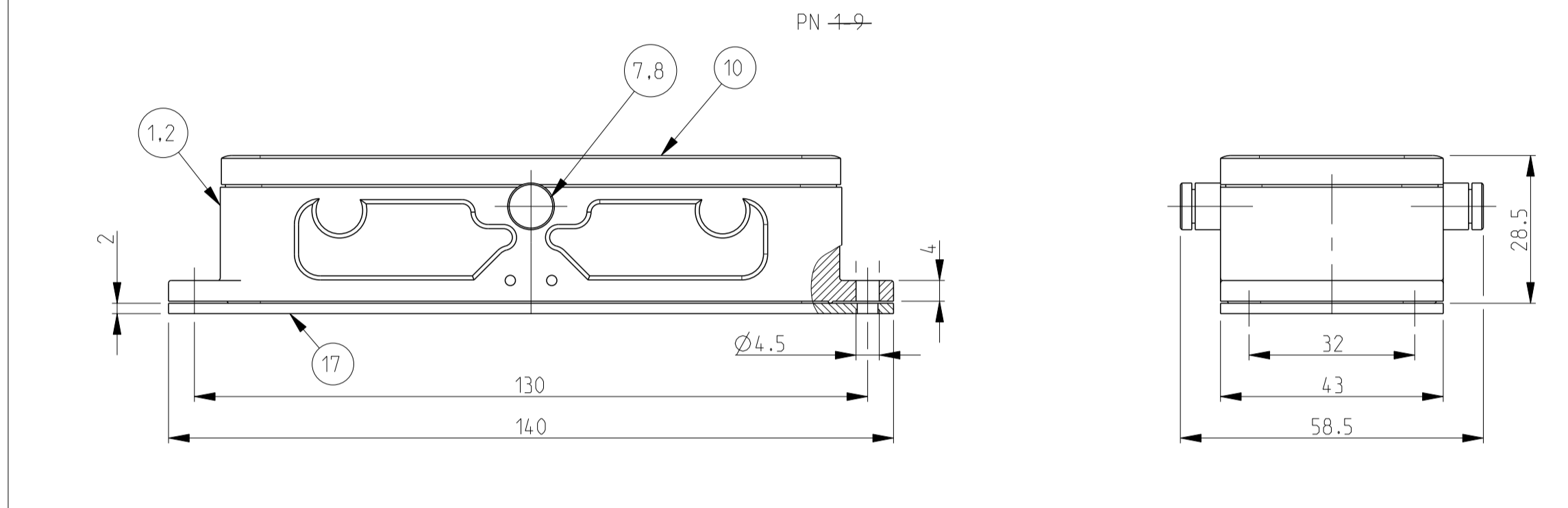
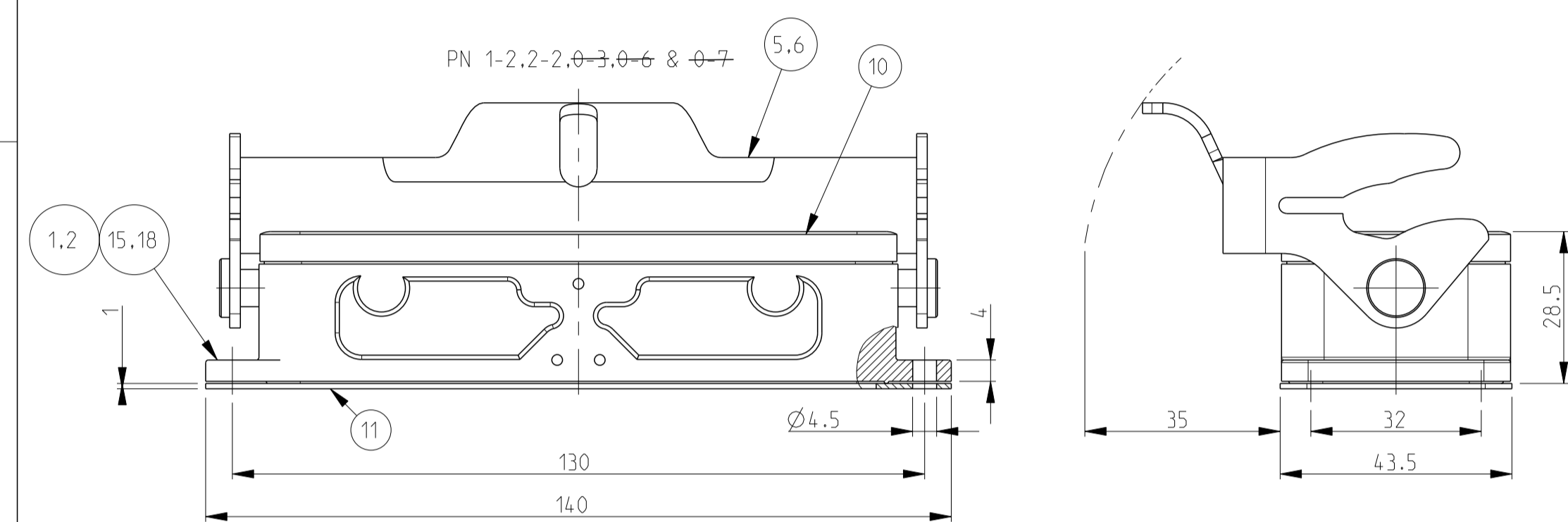
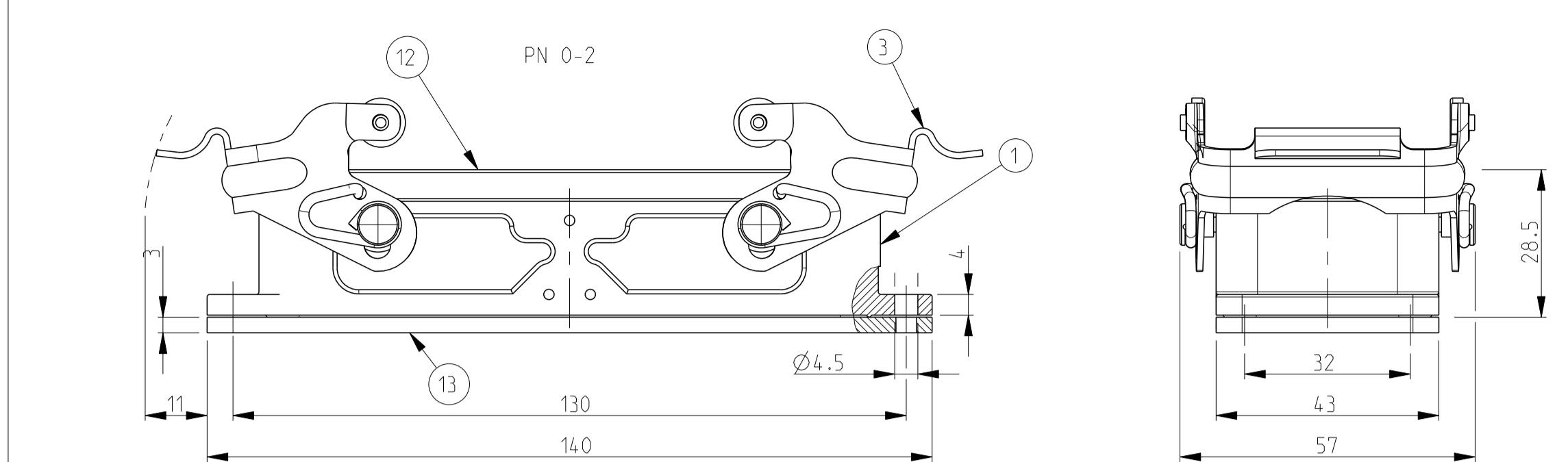
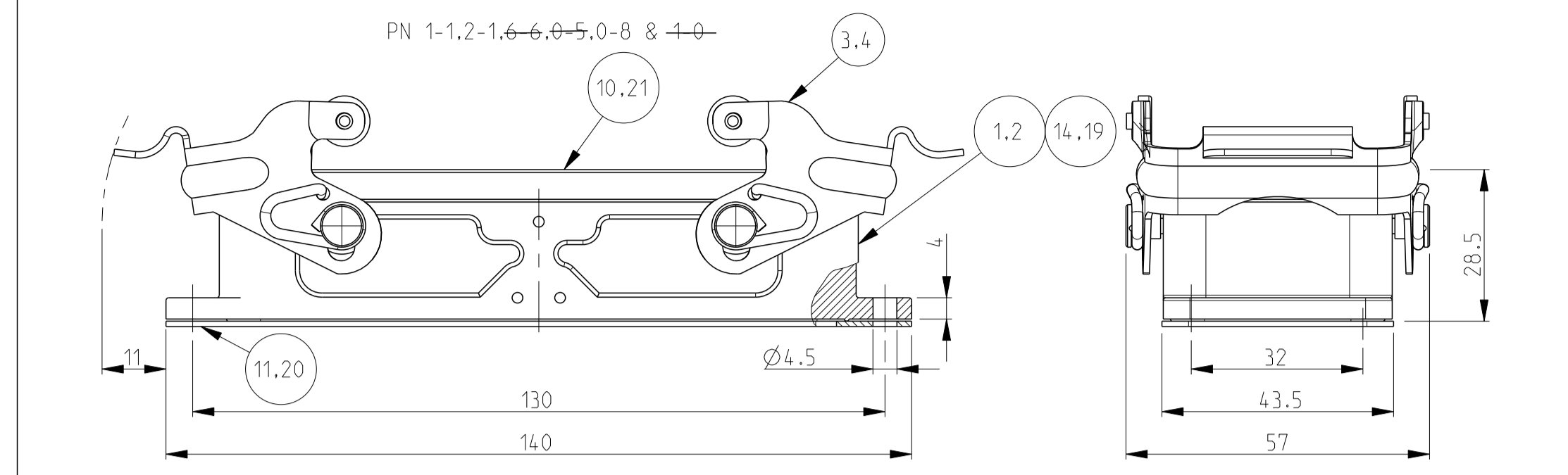


REVISIONS				
P	LTN	DESCRIPTION	DATE	OWN APVD
C	ECR-15-015721		18FEB2016	GCM JB
C1	ECR-16-015318		18AUG2017	GR MKO
C2	ECR-16-016768		15NOV2017	GR MKO
C3	ECR-17-014033		13MAR2018	SG MKO

- NOTES
- Material : Housing : aluminium die casting alloy
Seals : Neoprene : Viton
 - Surface : Varnish - Grey
- Aluminium oxide
- Varnish black
 - Varnish on the inside is not necessary
 - Packaging
Quantity 5 pieces in a box



ITEM NO	DESCRIPTION	MATERIAL	SURFACE	COLOR	ITEM NO	NOTES
1	Surface mounted housing side entry HB	Aluminium			23	With diecast bolt
2	Profile seal	Neoprene		Black	22	Conductive
3	Flange seal	Neoprene		Black	21	Conductive
4	Surface mounted housing side entry HB	Aluminium	Chromit AL TCP passivation	Black RAL9005	20	
5	Surface mounted housing side entry HB	Aluminium		Grey RAL7001	19	Neutral
6	Flange seal	Neoprene		Black	18	2 mm thick
7	Surface mounted housing side entry HB	Aluminium		Grey RAL7001	17	Noses milled off
8	Surface mounted housing side entry HB	Aluminium		Grey	16	Without TE indication
9	Surface mounted housing side entry HB-K	Aluminium	Aluminium oxide	Blank	15	
10	Surface mounted housing side entry HB	Aluminium		Grey RAL7001	14	Elecon-logo
11	Flanged seal	Viton		Black	13	
12	Profile seal	Viton		Light grey	12	3 mm thick
13	Flange seal	Neoprene		Black	11	1 mm thick
14	Profile seal	Neoprene		Black	10	
15	VS-Clip bolt	Steel	Zinc plated	Blue	9	
16	ZB-Clip bolt	Stainless steel		Blank	8	
17	ZB-Clip bolt	Steel	Zinc plated	Blue	7	
18	LB-Side clip	Stainless steel		Blank	6	
19	LB-Side clip	Steel	Zinc plated	Blue	5	
20	VS-Locking clip	Stainless steel		Blank	4	
21	VS-Locking clip	Steel	Zinc plated	Blue	3	
22	Surface mounted housing side entry HB-K	Aluminium	Aluminium oxide	Black RAL9005	2	
23	Surface mounted housing side entry HB	Aluminium		Grey RAL7001	1	

ITEM NO	DESCRIPTION	MATERIAL	SURFACE	COLOR	ITEM NO	NOTES
1	Surface mounted housing side entry HB	Aluminium			23	With diecast bolt
2	Profile seal	Neoprene		Black	22	Conductive
3	Flange seal	Neoprene		Black	21	Conductive
4	Surface mounted housing side entry HB	Aluminium	Chromit AL TCP passivation	Black RAL9005	20	
5	Surface mounted housing side entry HB	Aluminium		Grey RAL7001	19	Neutral
6	Flange seal	Neoprene		Black	18	2 mm thick
7	Surface mounted housing side entry HB	Aluminium		Grey RAL7001	17	Noses milled off
8	Surface mounted housing side entry HB	Aluminium		Grey	16	Without TE indication
9	Surface mounted housing side entry HB-K	Aluminium	Aluminium oxide	Blank	15	
10	Surface mounted housing side entry HB	Aluminium		Grey RAL7001	14	Elecon-logo
11	Flanged seal	Viton		Black	13	
12	Profile seal	Viton		Light grey	12	3 mm thick
13	Flange seal	Neoprene		Black	11	1 mm thick
14	Profile seal	Neoprene		Black	10	
15	VS-Clip bolt	Steel	Zinc plated	Blue	9	
16	ZB-Clip bolt	Stainless steel		Blank	8	
17	ZB-Clip bolt	Steel	Zinc plated	Blue	7	
18	LB-Side clip	Stainless steel		Blank	6	
19	LB-Side clip	Steel	Zinc plated	Blue	5	
20	VS-Locking clip	Stainless steel		Blank	4	
21	VS-Locking clip	Steel	Zinc plated	Blue	3	
22	Surface mounted housing side entry HB-K	Aluminium	Aluminium oxide	Black RAL9005	2	
23	Surface mounted housing side entry HB	Aluminium		Grey RAL7001	1	

THIS DRAWING IS A CONTROLLED DOCUMENT. DWN: Schwieger 23.071997
 CHK: Kramer 26.06.1998

TE Connectivity

Surface mounted housing bottom entry assy HB.24

108-74001/74003

114-74001/74004/74005

00779

SCALE 1:1 SHEET 1 OF 1 REV C3