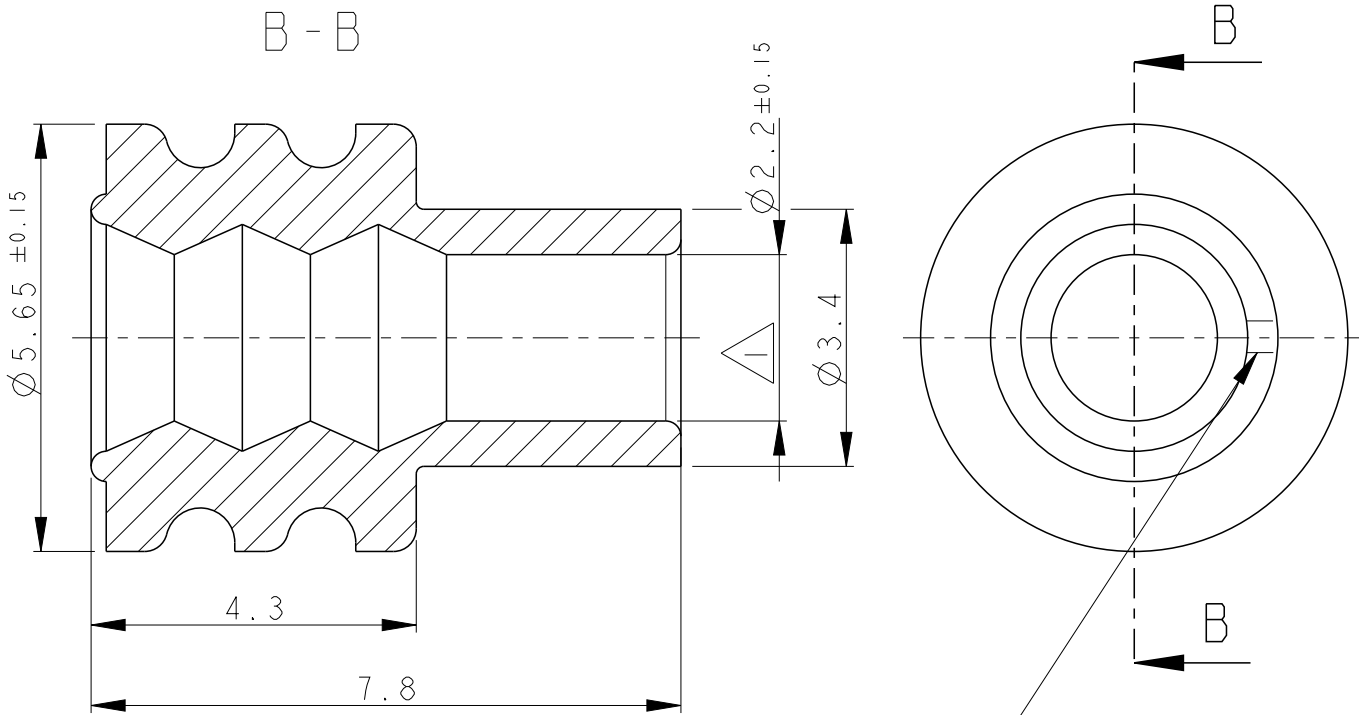
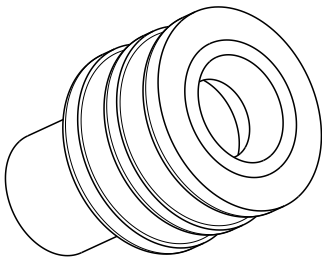


REVISIONS					
P	LTR	DESCRIPTION	DATE	DWN	APVD
	E4	REVISED (ECR-15-003702)	09MAR2015	M.G.	M.G.



OPTIONAL INTERRUPTED

 DEDICATED FOR INSULATION DIA:
 2.7-3.0mm (FLR CABLE - WIRE SIZE 2.5mm²)
 2.7-3.04mm (ALUMINIUM WIRE ONLY - WIRE SIZE 2.5mm²)



YELLOW	SILICONE 50° SHORE A INHERENTLY LUBRICATED	963292-1
COLOR	MATERIAL	PART Nr.

2000


RELEASED FOR PUBLICATION

ALL RIGHTS RESERVED.

THIS DRAWING IS UNPUBLISHED.

BY -

© COPYRIGHT 2000

DIMENSIONS: mm	DWN R. Schaefer	16-Apr-96	MATERIAL	SEE TABLE	FINISH	SEE TABLE
	CHK U. Muenk	16-Apr-96	 TE Connectivity			
TOLERANCES UNLESS OTHERWISE SPECIFIED:	APVD	-				
	PRODUCT SPEC	-	SIZE	CAGE CODE	DRAWING NO	RESTRICTED TO
0 PLC ±0.2	APPLICATION SPEC	-	A4	00779	C=963292	-
1 PLC ±0.2	WEIGHT	0.1 gr	Customer Drawing			
2 PLC ±			SCALE	10:1	SHEET	1 OF 1
3 PLC ±			REV E4			
4 PLC ±						
ANGLES ±1°						

Mouser Electronics

Authorized Distributor

Click to View Pricing, Inventory, Delivery & Lifecycle Information:

[TE Connectivity:](#)

[963292-1](#)