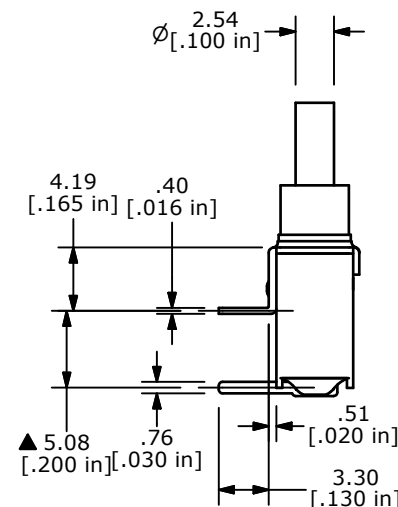
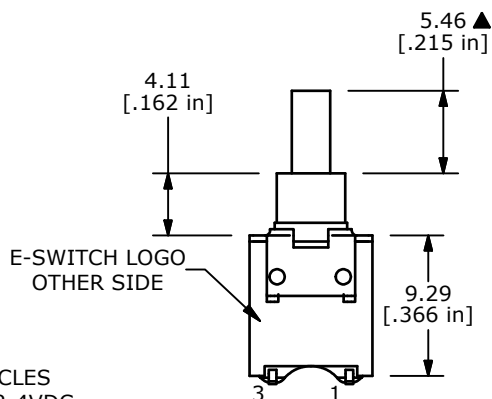
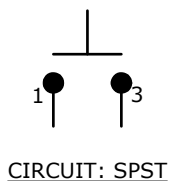


ISOMETRIC

SWITCH FUNCTION	
POS. 1	POS. 2
OFF	(ON)
OPEN	1-3

(ON)=MOMENTARY



- NOTE:
1. ALL DIMENSIONS IN MM [INCH]
  2. GENERAL TOLERANCE: X.X=±0.4  
X.XX=±0.25
  3. TERMINAL NUMBERS FOR REF ONLY
  4. CONTACT MATERIAL: COPPER ALLOY W/ GOLD PLATE OVER NICKEL PLATE
  5. RATING: 0.4VA @ 20V AC OR DC MAX.
  6. MECHANICAL LIFE: 50,000 MAKE-AND-BREAK CYCLES
  7. CONTACT RESISTANCE: 20 mΩ MAX. INITIAL @ 2-4VDC  
100mA FOR BOTH GOLD AND SILVER CONTACTS
  8. INSULATION RESISTANCE: 1,000 MEGA-OHM MIN.
  9. ELECTRIC STRENGTH: 1,000 V RMS @SEA LEVEL.
  10. PERATING TEMP.: -30°C to 85°C
  11. ▲ DENOTES CRITICAL PARAMETER.
  12. 2002/95/EC (ROHS) COMPLIANT



TITLE 800AWSP9M6RE				
SCALE 2:1	DATE 7/19/2011	DR BMA	DWG T833002	REV I

I	20063	UPDATE DRAWING	07/19/11	BMA
REV	PCR NO	DESCRIPTION	DATE	BY

THE INFORMATION CONTAINED IN THIS DOCUMENT IS PROPRIETARY TO E-SWITCH AND IS NOT TO BE COPIED OR TRANSFERRED

# Mouser Electronics

Authorized Distributor

Click to View Pricing, Inventory, Delivery & Lifecycle Information:

[E-Switch:](#)

[800AWSP9M6RE](#) [800AC2REDCAP](#)