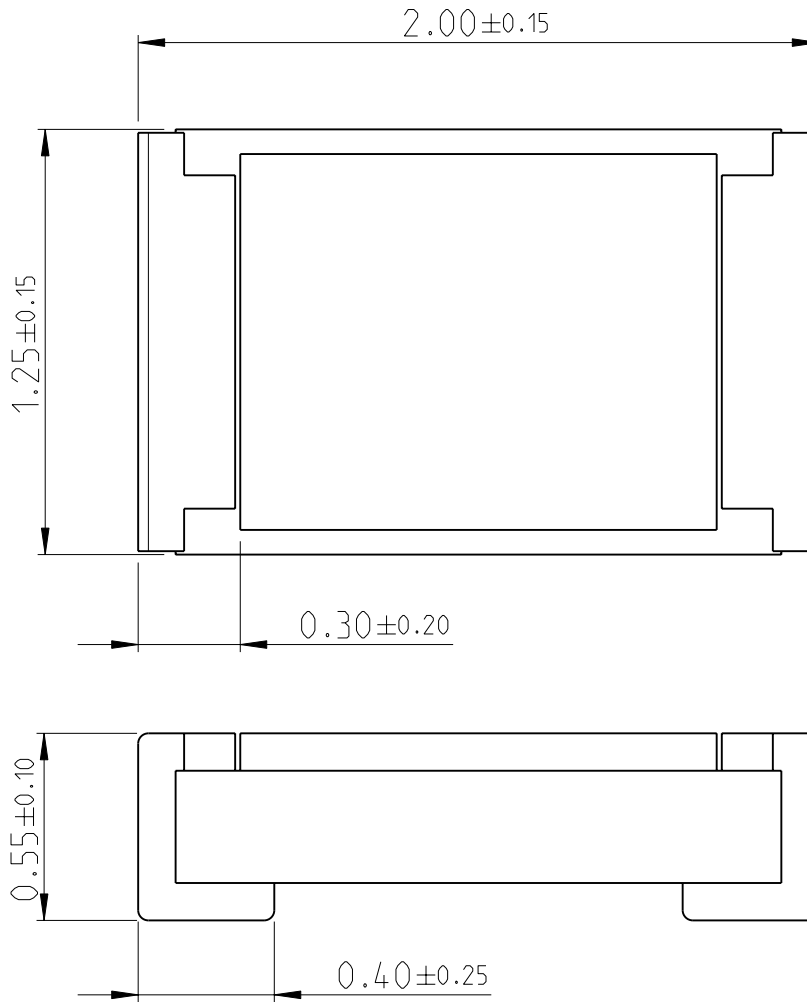
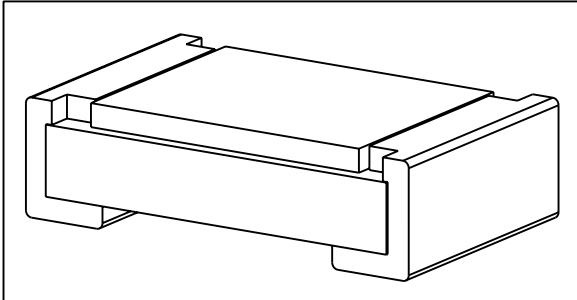


LOC	DIST	REVISIONS					
-	-	P	LTR	DESCRIPTION	DATE	DWN	APVD
		BA		NEW DRAWING	25APR2012	KR	St.P



FOR FURTHER INFORMATION SEE DATA SHEET FOR
SMD HIGH POWER PRECISION RESISTORS - RP73 SERIES

RoHS Compliant



20



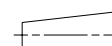
RELEASED FOR PUBLICATION

ALL RIGHTS RESERVED.

BY -

© COPYRIGHT 20

THIS DRAWING IS UNPUBLISHED.

DIMENSIONS:	DWN	25APR2012	MATERIAL	FINISH			
mm	RAGHAVENDRA K		-	-			
TOLERANCES UNLESS OTHERWISE SPECIFIED:	CHK	25APR2012	 TE Connectivity				
0 PLC ±	ALLAN P						
1 PLC ±0.5	APVD	25APR2012					
2 PLC ±0.13	STEPHEN.P		NAME				
3 PLC ±0.013	PRODUCT SPEC		HIGH POWER PRECISION CHIP RESISTORS - TYPE				
4 PLC ±0.0001	APPLICATION SPEC		RP73P 0805 SERIES				
ANGLES ±			SIZE	CAGE CODE	DRAWING NO	RESTRICTED TO	
 	WEIGHT	0.005 Gram	A 4	00779	©-2176091	-	
CUSTOMER DRAWING			SCALE	40:1	SHEET	1 OF 1	REV
							BA

Mouser Electronics

Authorized Distributor

Click to View Pricing, Inventory, Delivery & Lifecycle Information:

[TE Connectivity:](#)

[2-2176091-2](#)