

620-004
Backshell Accessory - 90° Strain Relief
Rotatable Coupling



CONNECTOR
DESIGNATOR
A-F-L-H-S
ROTATABLE
COUPLING

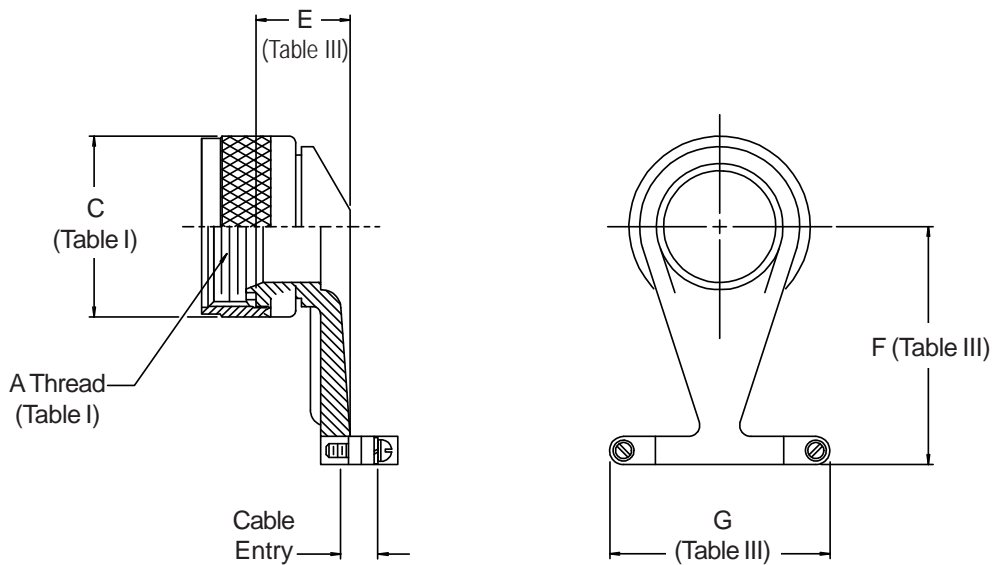
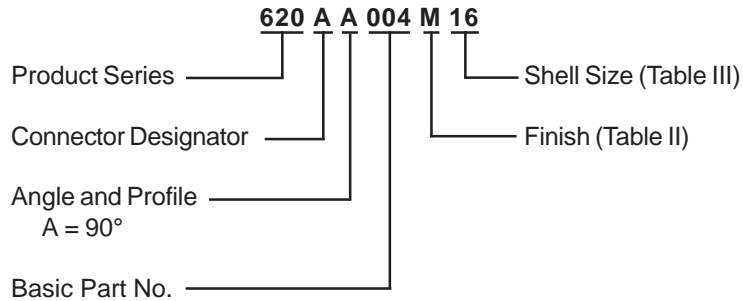


TABLE III: CABLE ENTRY

Shell Size Conn. Desig.		E Max	F Nom	G Nom	H Cable Entry	
A,F,L	H				Closed	Open
08	09	.450 (11.4)	.780 (19.8)	.750 (19.1)	.125 (3.2)	.250 (6.4)
10	11	.450 (11.4)	.890 (22.6)	.750 (19.1)	.156 (3.7)	.375 (9.5)
12	13	.450 (11.4)	1.030 (26.2)	.937 (23.8)	.188 (4.8)	.437 (11.1)
14	15	.450 (11.4)	1.220 (31.0)	1.015 (25.8)	.218 (5.5)	.562 (14.3)
16	17	.450 (11.4)	1.280 (32.5)	1.125 (28.6)	.250 (6.4)	.625 (15.9)
18	19	.480 (12.2)	1.370 (34.8)	1.188 (30.2)	.312 (7.9)	.750 (19.1)
20	21	.480 (12.2)	1.560 (39.6)	1.312 (33.3)	.375 (9.5)	.875 (22.2)
22	23	.480 (12.2)	1.750 (44.5)	1.437 (36.5)	.406 (10.3)	.937 (23.8)
24	25	.480 (12.2)	1.810 (46.0)	1.562 (39.7)	.562 (14.3)	1.000 (25.4)

1. Cable Entry is defined as the accommodation entry for the wire bundle or cable. Dimensions are not intended for inspection criteria.
2. Metric dimensions (mm) are indicated in parentheses.

Mouser Electronics

Authorized Distributor

Click to View Pricing, Inventory, Delivery & Lifecycle Information:

Glenair:

[620AA004M18](#) [620AA004NF08](#) [620AA046N16](#) [620FA004B12](#) [620FA004M24](#) [620FA004N14](#) [620FA004NF08](#)
[620FA004NF10](#) [620FA004NF16](#) [620FA004T16](#) [620HA004B25](#) [620HA004M09](#) [620HA004M11](#) [620HA004M21](#)
[620HA004M25](#) [620HA004NF09](#) [620HA004NF11](#) [620HA004NF13](#) [620HA004NF15](#) [620HA004NF17](#) [620HA004NF19](#)
[620HA004NF21](#) [620HA004NF23](#) [620HA004NF25](#) [620AA004N16](#) [620AA004N24](#) [620AA004C08](#) [620HA048Z125](#)