

SAFETY ORGANIZATION(S):

THIS FILTER HAS BEEN FORMALLY RECOGNIZED, CERTIFIED OR APPROVED BY THE LISTED AGENCY. THEREFORE, ALL TEST/REQUIREMENTS SPECIFIED IN THE LATEST REVISION OF THE FOLLOWING AGENCY STANDARDS HAVE BEEN MET:

UL RECOGNIZED
 CSA CERTIFIED
 VDE APPROVED

UL 1283
 CSA 22.2, NO.0,0.4,8
 VDE 565-3

OPERATING SPECIFICATIONS:

LINE VOLTAGE/CURRENT:
 20 AMP., 120/250 VAC
 16 AMP./40°C, 250VAC
 50-60Hz
 40°C

LINE FREQUENCY:
 MAX. CASE RISE @ RATED CURRENT:
 MAX. LEAKAGE CURRENT, EACH
 LINE TO GROUND
 OPERATING AMBIENT TEMP. RANGE:

.5mA at 120V 60 Hz
 1.0 mA at 250V 50 Hz
 -10°C TO +40°C @ RATED CURRENT, I_r

IN AN AMBIENT, T_a, HIGHER THAN 40°C, THE MAXIMUM OPERATING CURRENT, I_o, IS AS FOLLOWS:

$$I_o = I_r \sqrt{\frac{85-T_a}{45}}$$

RELIABILITY SPECIFICATIONS:

STORAGE TEMPERATURE:
 HUMIDITY:
 CURRENT OVERLOAD TEST:

-40°C TO +85°C
 21 DAYS @ 40°C 95% RH
 6 TIMES RATED CURRENT FOR 8 SECONDS

TEST SPECIFICATIONS:

INDUCTANCE:
 CAPACITANCE: (MEASURED @ 1 KHz, 0.25 VAC MAX., 25°C ±1°C)
 LINE TO GROUND:
 LINE TO LINE:
 DISCHARGE RESISTOR
 LINE/GROUND AND LINE/LINE
 INSULATION RESISTANCE

.44 mH NOMINAL
 .011µF ±20%
 .203µF ±20%
 1.5MΩ
 6000 MΩ (MIN) AT 100 VDC
 20°C AND 50% RH

RECOMMENDED RECEIVING INSPECTION HIPOT:

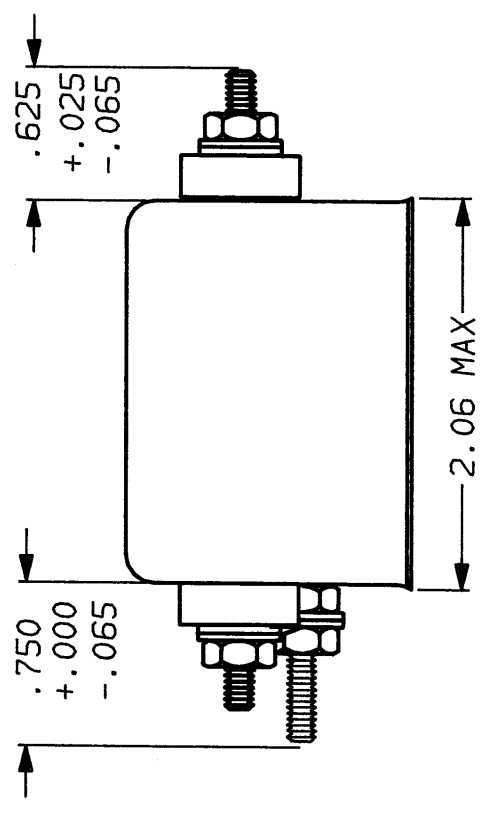
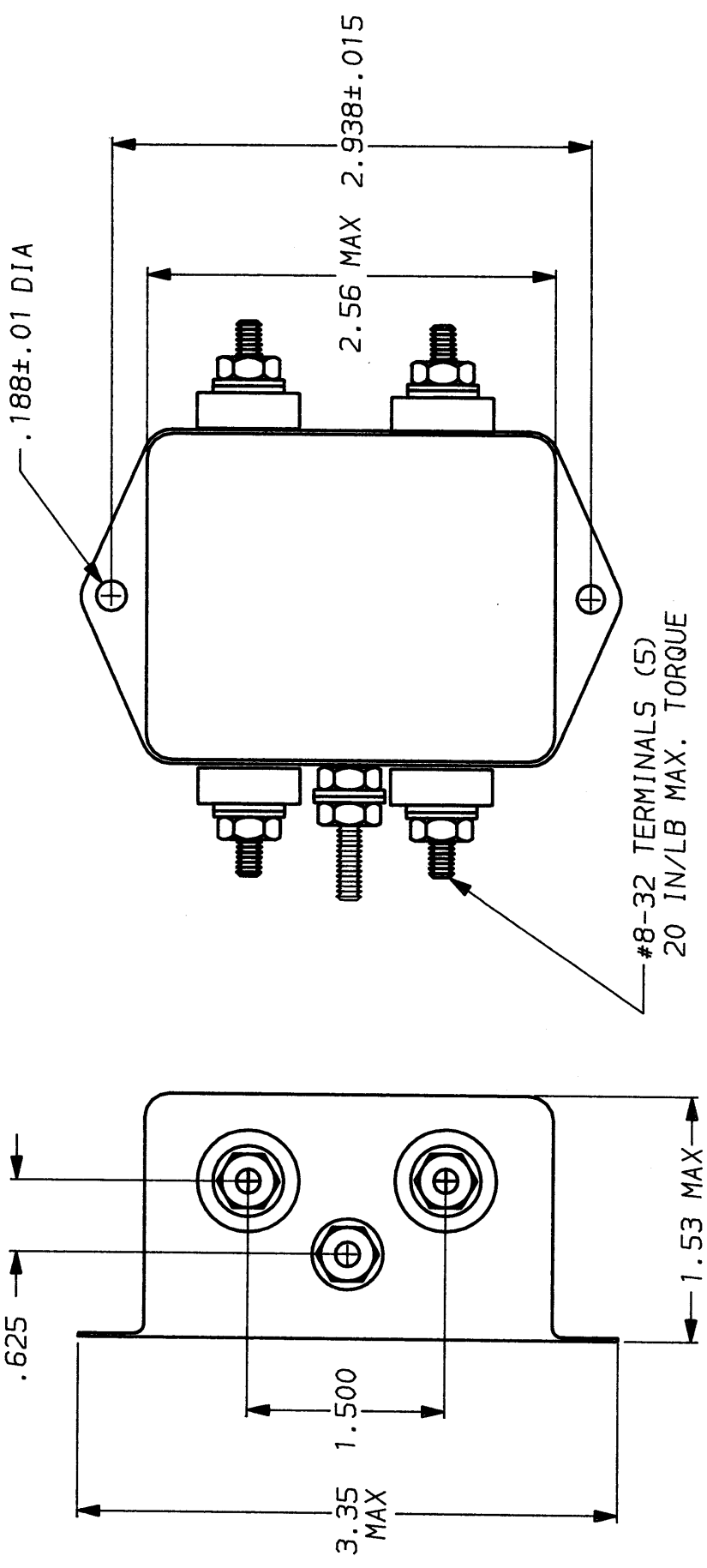
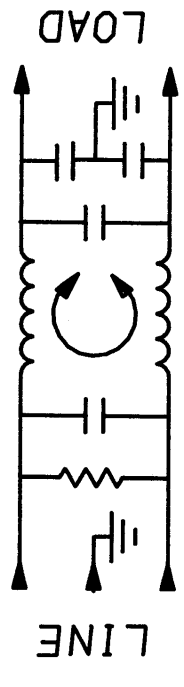
LINES TO GROUND: 2250 VDC FOR 1 MINUTE
 LINE TO LINE: 1450 VDC FOR 1 MINUTE

FILTER APPROVAL:

THE BEST WAY TO SELECT AND QUALIFY A FILTER IS FOR YOUR ENGINEERING TO TEST THE UNIT IN YOUR EQUIPMENT.

50Ω - 50Ω (MINIMUM) INSERTION LOSS									
FREQUENCY MHz	.15	.5	1	2	5	10	20	30	
COMMON dB	9	26	35	39	43	47	48	50	
DIFF. dB	5	7	45	55	50	30	30	30	

This document is proprietary to CORCOM INC. and is not to be reproduced nor used for manufacturing purposes except on CORCOM's order or prior written consent.



TOLERANCE EXCEPT AS NOTED
 DECIMAL: .XXX .XX .X ANGLES ± 1°
 ENGLISH: ±.025
 METRIC: ±

MATERIAL:
 AS SUPPLIED

FINISH:
 AS SUPPLIED

SCALE DATE 7-31-90
 NTS
 DRW. BY CFW
 ORIGINATOR CFW

DRG. NO. 20VK6.03
 REV. 03

CORCOM
 LIBERTYVILLE, IL 60048

POWER LINE FILTER

Mouser Electronics

Authorized Distributor

Click to View Pricing, Inventory, Delivery & Lifecycle Information:

[TE Connectivity:](#)

[20VK6](#)