

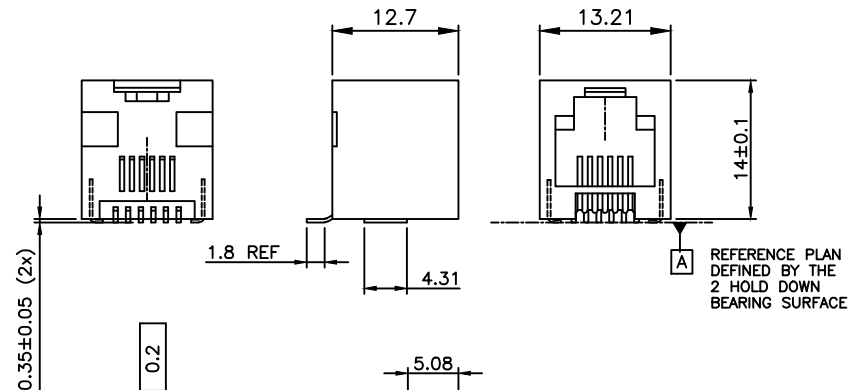
PRODUCT NUMBER
73334-XXXLF

PLATING OPTION
1= GXT 0.76 μ m
3= GOLD 0.76 μ m
5= GOLD 1.27 μ m

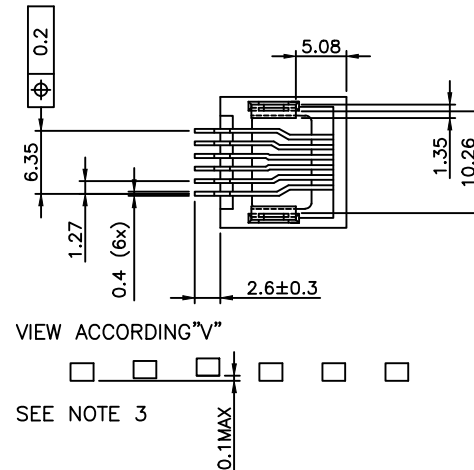
PACKAGE OPTION
1= TAPE ON REEL
2= TUBE
3= TAPE ON REEL IN PLASTIC BAG

TERMINAL LOADING
1= FULLY LOADED
2= POS 2,3,4,5
3= POS 1,2,5,6

WHEN NEEDED, SUFFIX LETTER "LF"
INDICATES THE PRODUCT IS RoHS
COMPATIBLE, SEE NOTE 4.



REFERENCE PLAN
DEFINED BY THE
2 HOLD DOWN
BEARING SURFACE



VIEW ACCORDING "V"

SEE NOTE 3

NOTES:

- 1 - MATERIAL: HOUSING: HIGH TEMP. PCT, COLOUR BLACK.
TERMINAL: PHOSPHOR BRONZE.
- 2 - PLATING: CONTACT AREA: SEE TABLE.
SOLDER TAIL : 90/10 SnPb 2 μ m MIN.
WHEN SUFFIX "LF" IS REQUIRED, 2 μ m MIN MATTE
TIN OVER 1.27 MIN Ni IS SUPPLIED INSTEAD OF SnPb.
NO RAW EDGES EXCEPT SOLDER TAIL TIPS
- 3 - SOLDER TAILS COPLANARITY : 0.1 mm
- 4 - RoHS COMPATIBLE PRODUCT SPECIFICATIONS
 - a - PLATING:
 - "LF" MEANS THE PRODUCT IS LEAD-FREE,
2 μ m MINIMUM MATTE TIN OVER 1.27 μ m
MINIMUM NICKEL UNDERPLATE.
 - b - MANUFACTURING PROCESS COMPATIBILITY
 - THE HOUSING WILL WITHSTAND EXPOSURE TO
245°C PEAK TEMPERATURE FOR 30 SECONDS
MAX IN A CONVECTION, INFRA-RED OR VAPOR
PHASE OR REFLOW OVEN.
 - c - LABELING:
 - MEETS PACKAGING SPECS AS PER GS-14-920
 - d - LEGAL STATEMENT: SEE GS-47-0004
- 5 - PACKAGING FOR OPTION 3 : EACH REEL IS WRAPPED INTO A PLASTIC BAG
TO PROTECT FROM MOISTURE DURING STACKING TIME.

CUSTOMER COPY FOR REFERENCE ONLY

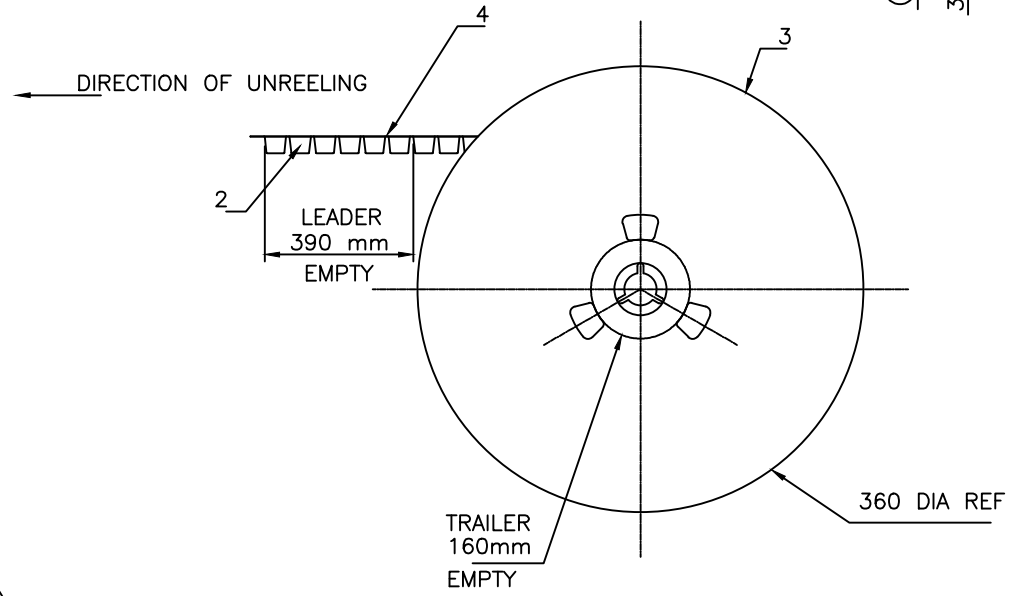
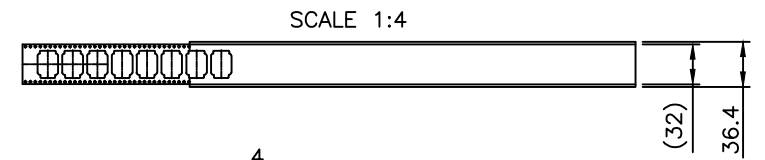
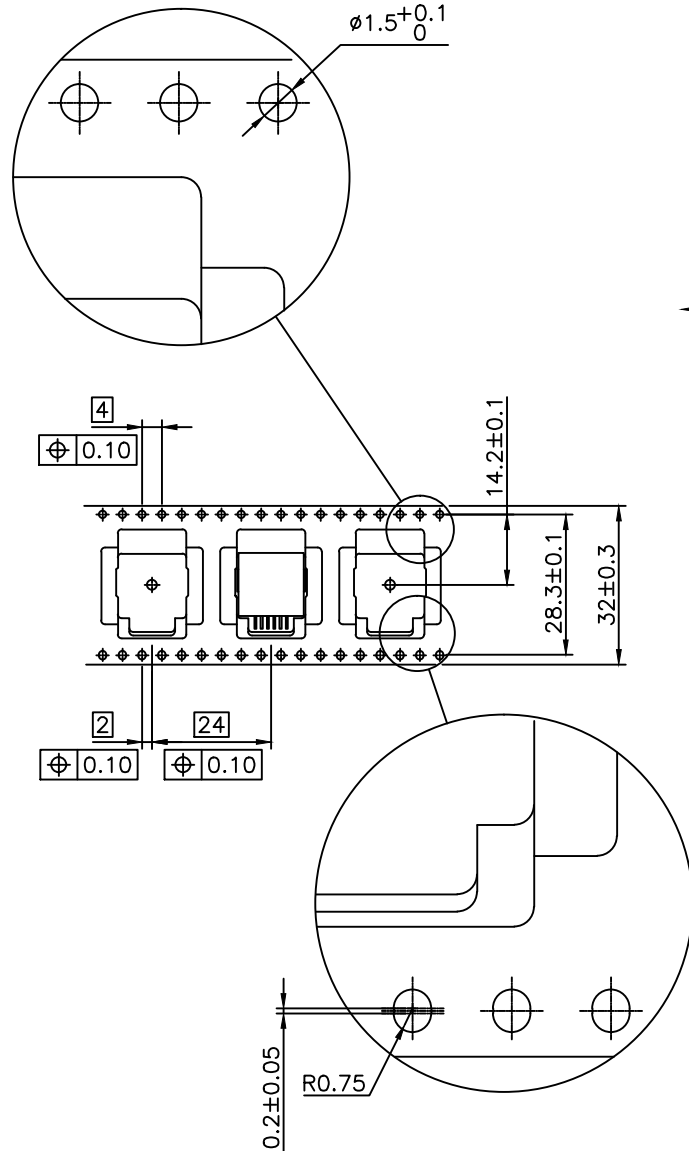
mat'l. code		surface		tolerance		projection		product family	
		ISO 1302 ✓		ISO 406 ISO 1101		mm		MODULAR JACK	
ltr		ecn no		dr		date		title	
H		F10-0239		APA		10.10.25		SMT RA JACK	
J		B-15798		JFA		13.09.09		6 POS INSIDE	
K		F-21888		AMA		15.09.09		scale 2:1	
		dr		D LEGRAND		04.10.19		dwg no	
E		F04-0363		DLE		04.10.19		sheet 1 of 3	
F		F05-0247		DLE		05.09.12		73334	
G		F06-0244		DLE		06.07.18		A3	
		dr		D LEGRAND		04.10.19		type	
		enr		P NIZZI		04.10.19		CUSTOMER Drawing	
		chr		D LEGRAND		04.10.19			
		app		P NZ		04.10.19			
sheet		revision		K		D		B	
index		sheet		1		2		3	



Copyright FCI

PRODUCT NUMBER
SEE SHEET 1

LTR	PART NAME	QTY
1	PRODUCT	230
2	TAPE	1
3	REEL	1
4	COVER TAPE	1



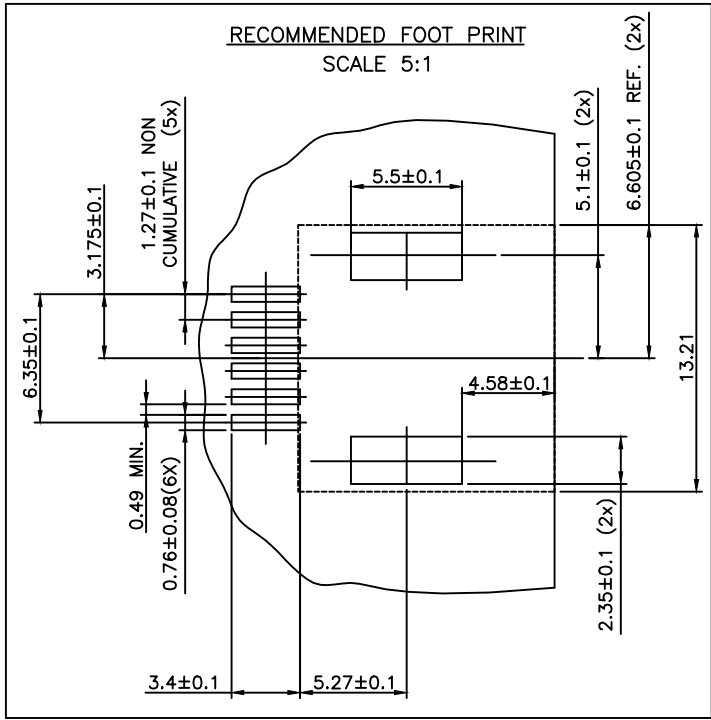
1- IN ACCORDANCE WITH EIA-481 AND IEC 296-3

CUSTOMER COPY FOR REFERENCE ONLY

mat'l. code		surface ISO 1302 ✓		tolerance ISO 406 ISO 1101		projection mm		product family MOD-JACK	
ltr		ecn no		dr		date		title SMT RA JACK 6 POS. INSIDE	
C		F80620		DLE		98.11.26		scale 1:1	
D		F06-024Q		DLE		06.07.18		dwg no 73334	
				angles		Linear		sheet 2 of 3 size A3	
				dr		D LEGRAND		06.07.18	
				engr		P NIZZI		06.07.18	
				chr		D LE		06.07.18	
				appd		P NZ		06.07.18	
sheet index		revision sheet						type CUSTOMER Drawing	



Copyright FCI



CUSTOMER COPY FOR REFERENCE ONLY

mat'l. code		surface		tolerance		projection		product family	
		ISO 1302 <input checked="" type="checkbox"/>		ISO 406 ISO 1101				MODULAR JACK	
ltr		ecn no		dr		date		title	
A		F04-0363		DLE		04.10.19		SMT RA JACK 6 POS INSIDE	
B		F06-0240		DLE		06.07.18			
		angles		linear		tolerances unless otherwise specified		scale 2:1	
		±2'				±0.13		mm	
		dr		D LEGRAND		04.10.19		dwg no	
		engr		P NIZZI		04.10.19		sheet 3 of - size	
		chr		D LEGRAND		04.10.19		73334 A4	
		appd		P NZ		04.10.19		type	
								CUSTOMER Drawing	
sheet index		revision sheet							



FCconnect.com

Copyright FCJ

Mouser Electronics

Authorized Distributor

Click to View Pricing, Inventory, Delivery & Lifecycle Information:

[FCI / Amphenol:](#)

[73334-111LF](#) [73334-112LF](#) [73334-511LF](#) [73334-131LF](#)