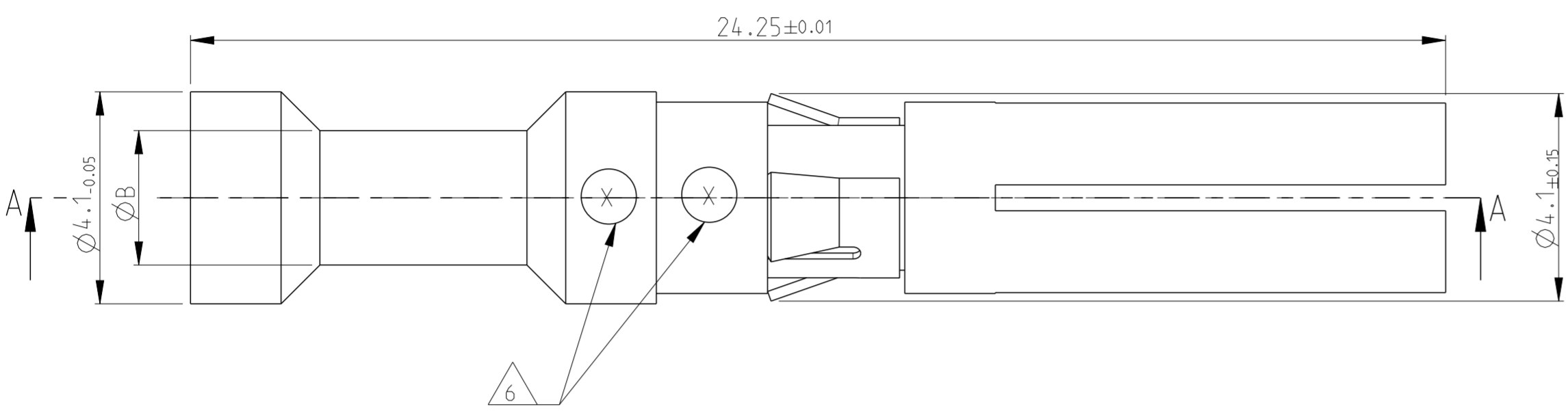


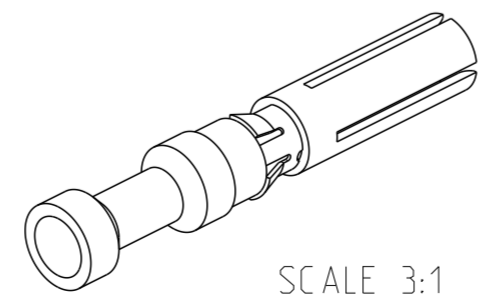
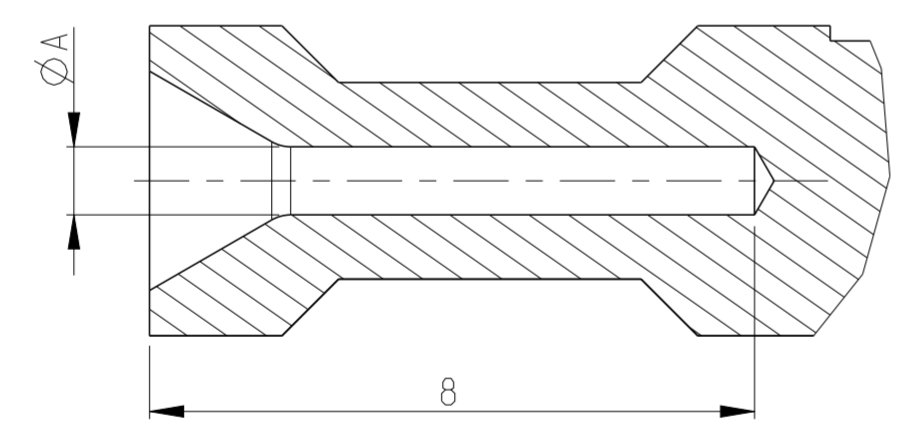
THIS DRAWING IS UNPUBLISHED. RELEASED FOR PUBLICATION
 © COPYRIGHT - ALL RIGHTS RESERVED.

LOC		DIST		REVISIONS				
P	LTR	DESCRIPTION	DATE	DWN	APVD			
A1	-	G2	REVISED PER ECO-11-005150	31MAR2011	RK	HMR		
		G3	ECR-16-016696	31AUG2017	GR	MKO		



- NOTES
- 1 MATERIAL SEE TABLE
 - 2 SURFACE SEE TABLE
 - 3 ASSEMBLY WEIGHT SEE TABLE
 - 4 PACKAGING: 50 PIECES IN POLYBAG
 - 5 PACKAGING: 500 PIECES IN POLYBAG & CARTON
 - 6 CROSS-SECTION MARKING
 - 7 NO VENTILATION HOLE REQUIRED AT CROSS SECTION >4.0mm²
 - 8 SUITABLE PIN CONTACT: PN 1105300
 - 9 SUITABLE INSERTS: SERIES HVT
 - 10 SUITABLE CRIMP TOOL: PN 1-1105851-8
 - 11 SUITABLE INSERTION TOOL: PN 0-1102855-6
 - 12 SUITABLE EXTRACTION TOOL: PN 0-1102855-3
 - 13 STANDARDS: DIN EN 61984, DIN EN 60664-1

SECTION A-A



ASSEMBLY WEIGHT IN (Kg) 3																		
0.00142	0.00144	0.00148	0.00145	0.00149	0.00150	0.00144	0.00148	0.00133	0.00142	0.00144	0.00148	0.00145	0.00149	0.00150				
1	1	1	1	1	1	1	1	1	1	1	1	1	1	1				
												Socket Contact 4.0 mm ²	CuZn39Pb3 F50	GOLD PLATING	2.85	3.9	6	1
												Socket Contact 2.5 mm ²			2.2	3.2	5	
												Socket Contact 1.5 mm ²			1.8	3.0	4	
												Socket Contact 0.75-1.0 mm ²			1.45	2.6	3	
												Socket Contact 0.5 mm ²			1.1	2.6	2	
												Socket Contact 0.13-0.4 mm ²			0.9	2.6	1	
												Socket Contact 14 AWG			2.0	3.2	8	
												Socket Contact 12 AWG			2.55	3.6	9	
												Socket Contact 10 AWG		3.2	4.1	7		
												Socket Contact 4.0 mm ²		2.85	3.9	6		
												Socket Contact 2.5 mm ²		2.2	3.2	5		
												Socket Contact 1.5 mm ²		1.8	3.0	4		
												Socket Contact 0.75-1.0 mm ²		1.45	2.6	3		
												Socket Contact 0.5 mm ²		1.1	2.6	2		
												Socket Contact 0.13-0.4 mm ²		0.9	2.6	1		

5-2	4-2	3-2	2-2	1-2	6-2	8-2	9-1	7-2	5-1	4-1	3-1	2-1	1-1	6-1	DESCRIPTION	MATERIAL	SURFACE	ØA	ØB	CROSS SECTION MARKING	ITEM NO
5-2	4-2	3-2	2-2	1-2	6-2	8-2	9-1	7-2	5-1	4-1	3-1	2-1	1-1	6-1		1	2			3	
HVT-C-Bu-Au-4.0 mm ²	HVT-C-Bu-Au-2.5 mm ²	HVT-C-Bu-Au-1.5 mm ²	HVT-C-Bu-Au-0.75-1.0 mm ²	HVT-C-Bu-Au-0.5 mm ²	HVT-C-Bu-Au-0.13-0.4 mm ²	HVT-C-Bu-Ag-AWG-14	HVT-C-Bu-Ag-AWG-12	HVT-C-Bu-Ag-AWG-10	HVT-C-Bu-Ag-4.0 mm ²	HVT-C-Bu-Ag-2.5 mm ²	HVT-C-Bu-Ag-1.5 mm ²	HVT-C-Bu-Ag-0.75-1.0 mm ²	HVT-C-Bu-Ag-0.5 mm ²	HVT-C-Bu-Ag-0.13-0.4 mm ²							

THIS DRAWING IS A CONTROLLED DOCUMENT.

DWN: G.WROBLEWSKI 04 SEP. 2007
 CHK: T.SCHNURPFELT 04 SEP. 2007
 APVD: T.SCHNURPFELT 04 SEP. 2007

STE TE Connectivity

SOCKET CONTACT SERIES HVT

SIZE: A2 CAGE CODE: 100779 DRAWING NO: C-1105301 RESTRICTED TO: -

CUSTOMER DRAWING SCALE: 10:1 SHEET: 1 OF 1 REV: G3

Mouser Electronics

Authorized Distributor

Click to View Pricing, Inventory, Delivery & Lifecycle Information:

[TE Connectivity:](#)

[6-1105301-1](#)