

**PLEASE CHECK WWW.MOLEX.COM FOR LATEST PART INFORMATION**

**Part Number:** [0022035155](#)  
**Status:** **Active**  
**Overview:** [Mini-SPOX Wire-to-Board Connector System](#)  
**Description:** 2.50mm Pitch Mini-SPOX Wire-to-Board Header, Vertical, Shrouded, 15 Circuits, Tin (Sn) Plating

**Documents:**

[3D Model](#) [Packaging Specification SPK-5267-001-001 \(PDF\)](#)  
[Drawing \(PDF\)](#) [RoHS Certificate of Compliance \(PDF\)](#)  
[Product Specification PS-5264-001-001 \(PDF\)](#)

**Agency Certification**

CSA LR19980  
 UL E29179

**General**

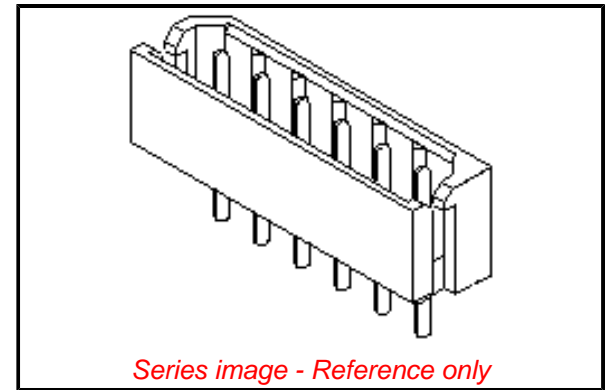
Product Family PCB Headers  
 Series [5267](#)  
 Application Signal, Wire-to-Board  
 Overview [Mini-SPOX Wire-to-Board Connector System](#)  
 Product Name Mini-SPOX  
 UPC 800753591585

**Physical**

Breakaway No  
 Circuits (Loaded) 15  
 Circuits (maximum) 15  
 Color - Resin Natural  
 Durability (mating cycles max) 30  
 Flammability 94V-0  
 Glow-Wire Capable No  
 Lock to Mating Part Yes  
 Material - Plating Mating Tin  
 Material - Plating Termination Tin  
 Material - Resin Nylon  
 Net Weight 1250.900/mg  
 Number of Rows 1  
 Orientation Vertical  
 PC Tail Length 3.50mm  
 PCB Locator No  
 PCB Retention Yes  
 PCB Thickness - Recommended 1.60mm  
 Packaging Type Bag  
 Pitch - Mating Interface 2.50mm  
 Plating min - Mating 4.064µm  
 Plating min - Termination 4.064µm  
 Polarized to Mating Part Yes  
 Polarized to PCB No  
 Shrouded Fully  
 Stackable No  
 Surface Mount Compatible (SMC) No  
 Temperature Range - Operating -40° to +105°C  
 Termination Interface: Style Through Hole

**Electrical**

Current - Maximum per Contact 3.0A  
 Voltage - Maximum 250V



**EU ELV**

**Not Relevant**

**EU RoHS**

**Compliant**

**REACH SVHC**

Not Contained Per -  
 ED/61/2018 (27 June  
 2018)

**Halogen-Free**

**Status**

**Not Low-Halogen**

**Need more information on product  
 environmental compliance?**

Email [productcompliance@molex.com](mailto:productcompliance@molex.com)  
 Please visit the [Contact Us](#) section for any  
 non-product compliance questions.

China ROHS

ELV

Prop65

RoHS Phthalates

**China RoHS**

Green Image

Not Relevant

Compliant

Not Contained

**Search Parts in this Series**

[5267 Series](#)

**Mates With**

[5264](#) Mini-SPOX Wire-to-Board Crimp  
 Housing, [42219](#) SPOX IDT Receptacle  
 Housing

**Material Info**

Engineering Number

5267-15A

**Reference - Drawing Numbers**

Packaging Specification

SPK-5267-001-001

Product Specification

PS-5264-001-001

Sales Drawing

SD-5267-NA

This document was generated on 09/10/2018

**PLEASE CHECK [WWW.MOLEX.COM](http://WWW.MOLEX.COM) FOR LATEST PART INFORMATION**

# Mouser Electronics

Authorized Distributor

Click to View Pricing, Inventory, Delivery & Lifecycle Information:

[Molex:](#)

[22-03-5155](#)