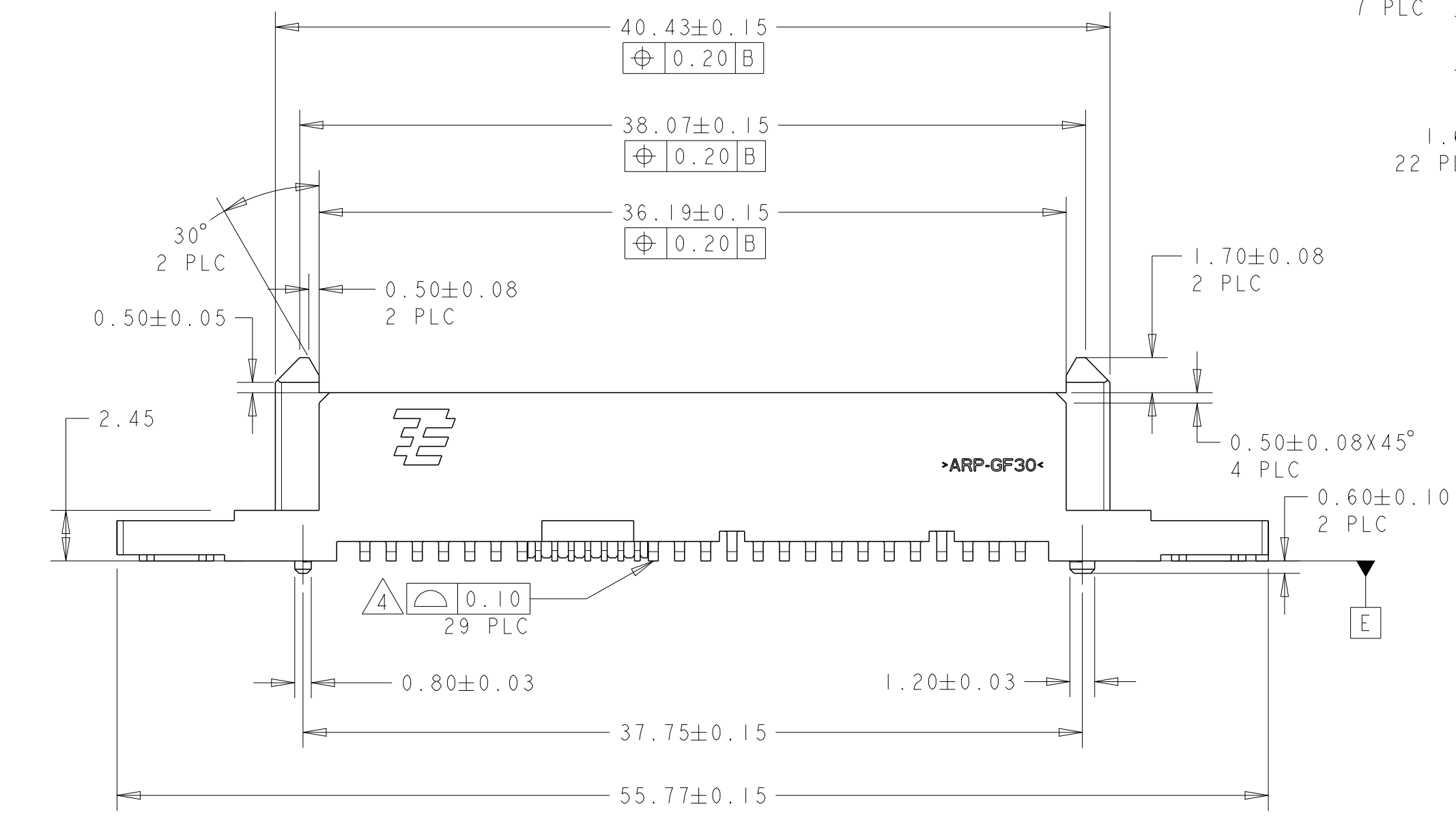
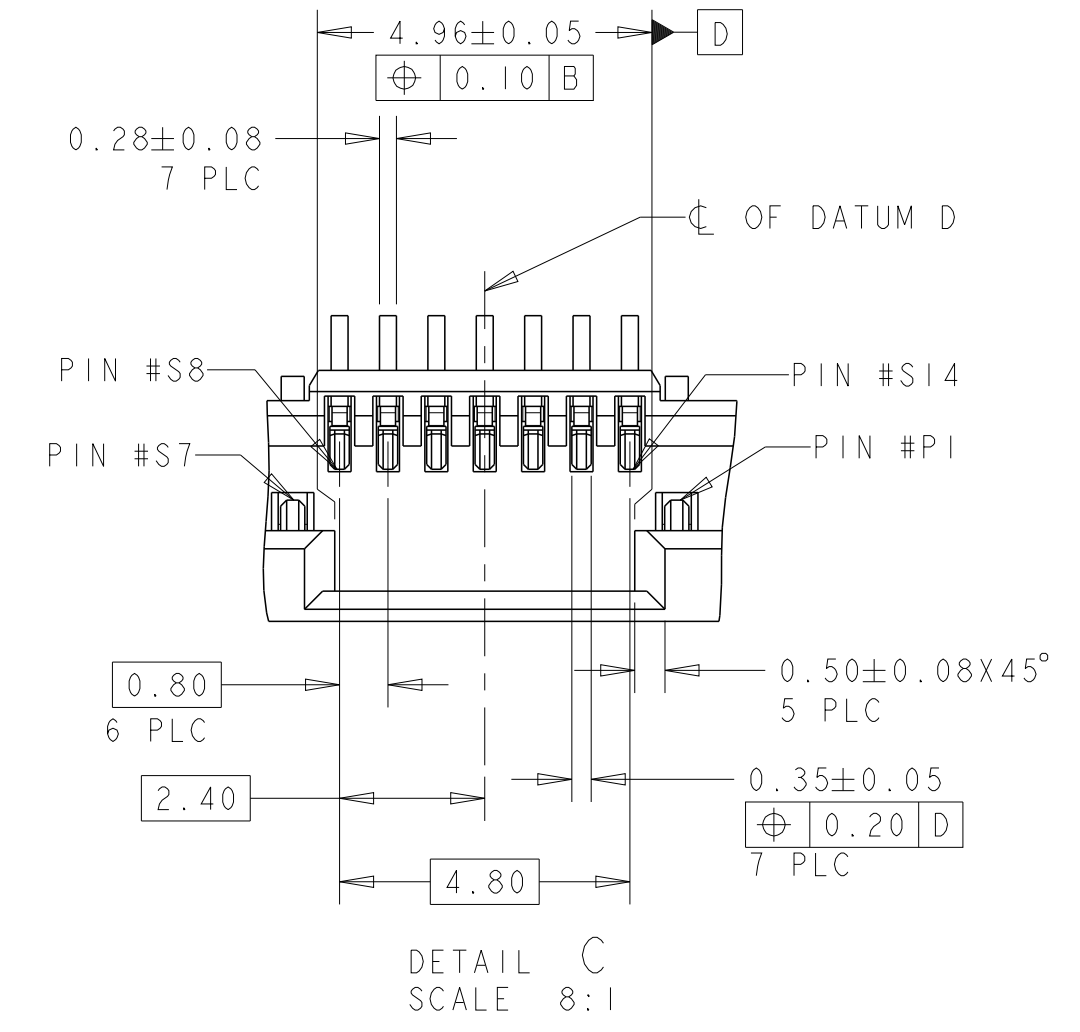
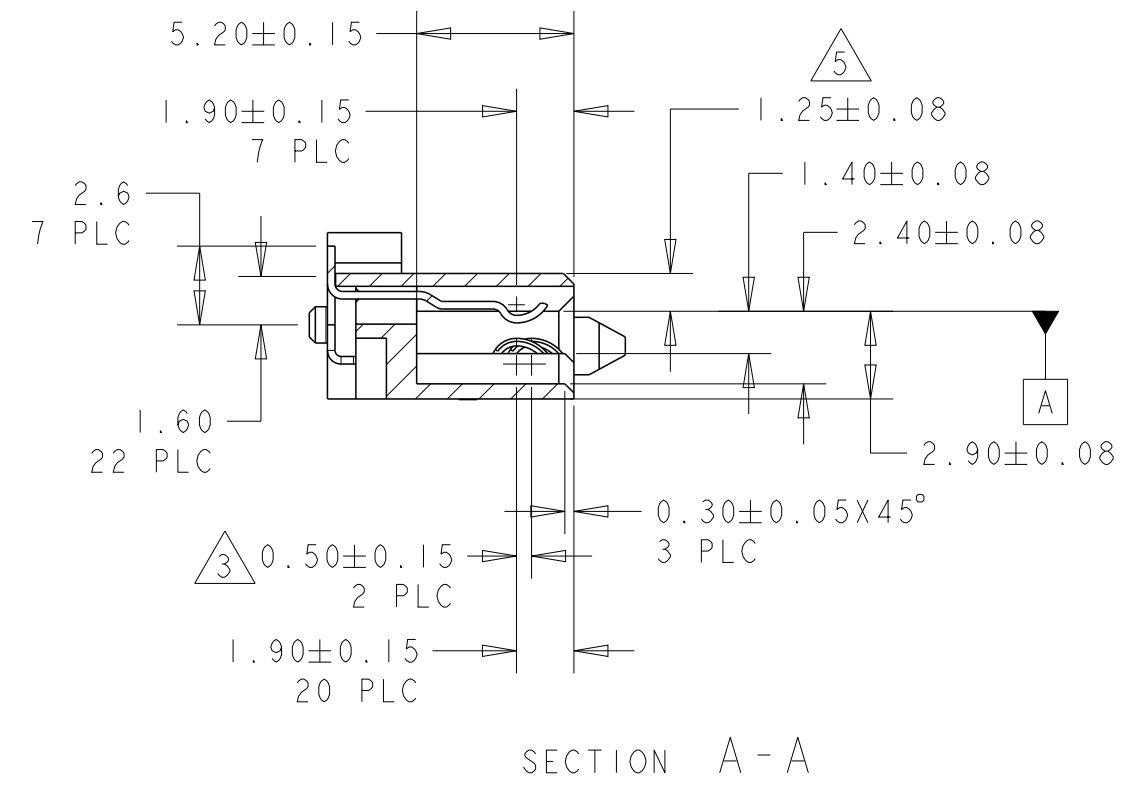
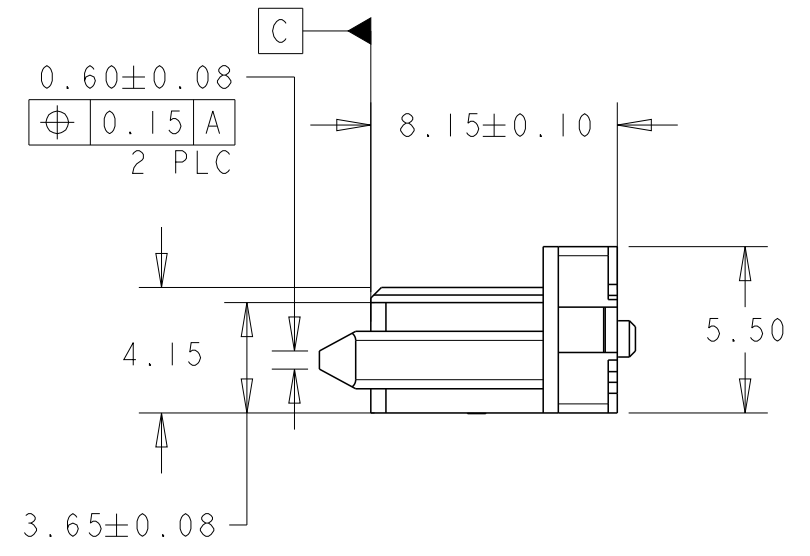
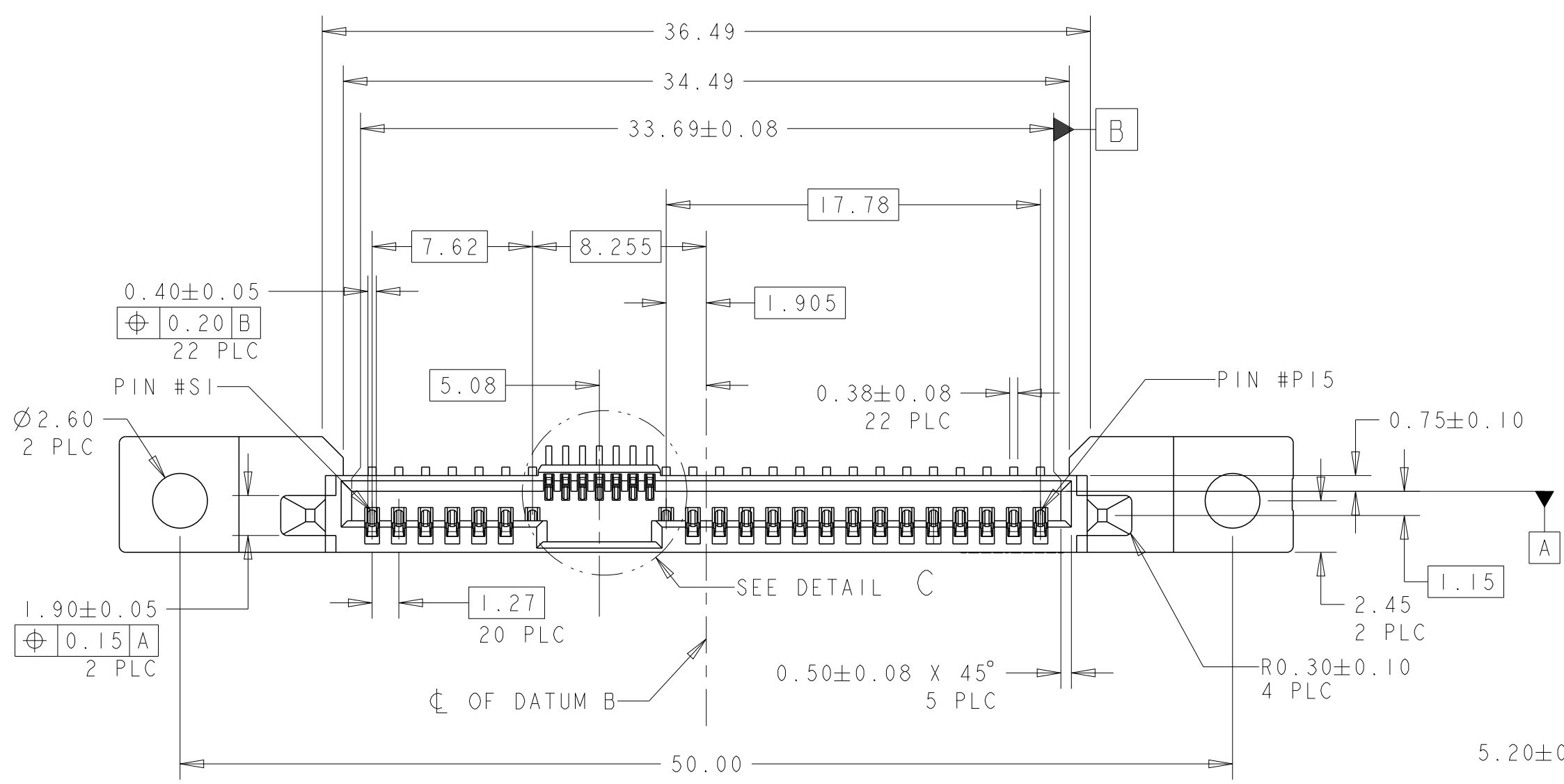


THIS DRAWING IS UNPUBLISHED. RELEASED FOR PUBLICATION 20
 © COPYRIGHT 20 BY - ALL RIGHTS RESERVED.

| REVISIONS | | | | |
|-----------|-----|---------------------------|-----------|-------|
| P | LTR | DESCRIPTION | DATE | APVD |
| - | B | REVISED PER ECO-14-008073 | 30MAY2014 | BL JY |

NOTES:

- 1 MATERIAL:
HOUSING: HIGH TEMP THERMOPLASTIC, UL94V-0,
COLOR: BLACK
CONTACT: COPPER ALLOY
ROUND POST: BRASS
- 2 FINISH:
CONTACT AREA: MIN 0.76um GOLD PLATING
SOLDERTAIL: MIN 2.54um MATTE TIN PLATING
UNDERPLATE: MIN 1.27um NICKEL PLATING
ROUND POST PLATING: MIN 2.54um TIN OVER
MIN 1.27um NICKEL UNDERPLATE
- 3 PIN #P4 AND #P12 ONLY
- 4 SOLDERTAIL TO BE 0.05 MAX ABOVE AND
0.10 MAX BELOW DATUM E
- 5 1.33 MAX MEASURED AT DATUM C



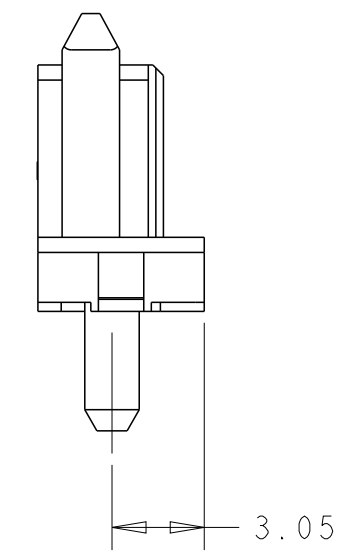
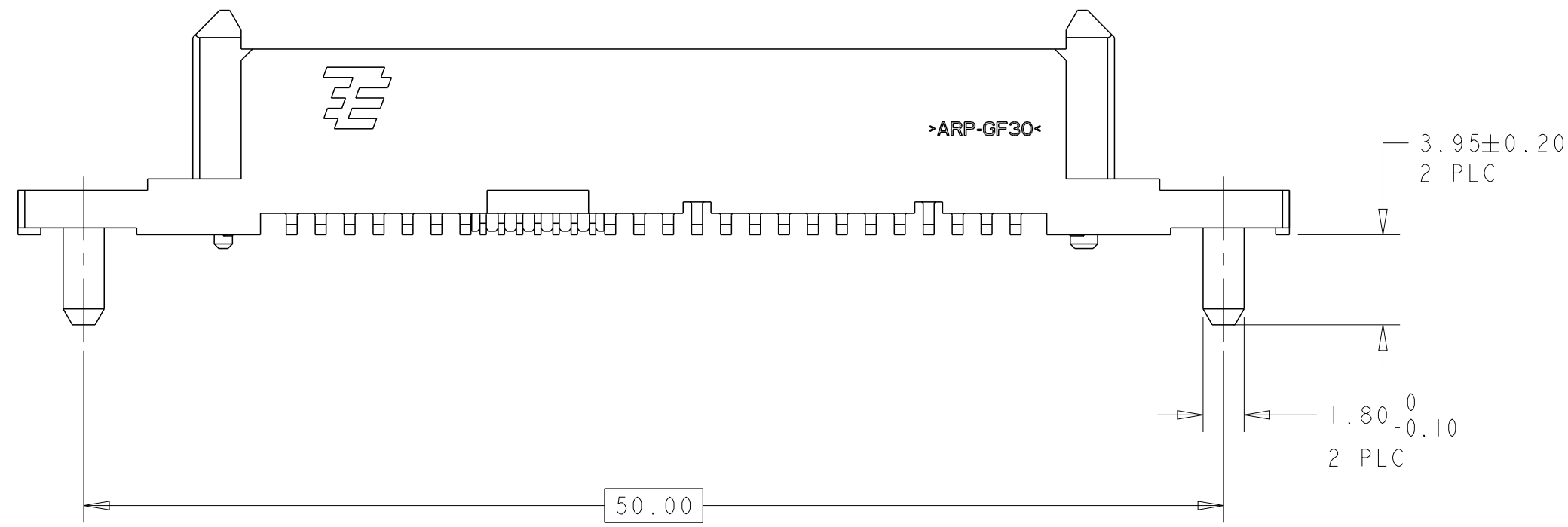
P/N: 1735869-1 AS SHOWN

| | |
|--------------------|-----------|
| WITH ROUND POST | 1735869-2 |
| WITHOUT ROUND POST | 1735869-1 |
| REMARK | PN |

| | | | | | | | | | | | | | | | | | | |
|--|-------|----------------------------|---|-----------------------|---|-------|-------|-------|---|-------|---|--------|-----|--------|--|---------------------------|------------|--|
| THIS DRAWING IS A CONTROLLED DOCUMENT. | | DWN TY PANG 15MAR2011 | TE Connectivity | | | | | | | | | | | | | | | |
| DIMENSIONS: mm | | CHK SF LEONG 15MAR2011 | | | | | | | | | | | | | | | | |
| TOLERANCES UNLESS OTHERWISE SPECIFIED: | | APVD SF LEONG 15MAR2011 | NAME SAS BACKPLANE RECEPTACLE, VERTICAL, SMT, THROUGH HOLE FLANGE | | | | | | | | | | | | | | | |
| <table border="1"> <tr><td>0 PLC</td><td>±</td></tr> <tr><td>1 PLC</td><td>±</td></tr> <tr><td>2 PLC</td><td>±0.20</td></tr> <tr><td>3 PLC</td><td>±</td></tr> <tr><td>4 PLC</td><td>±</td></tr> <tr><td>ANGLES</td><td>±3°</td></tr> <tr><td>FINISH</td><td></td></tr> </table> | | 0 PLC | ± | 1 PLC | ± | 2 PLC | ±0.20 | 3 PLC | ± | 4 PLC | ± | ANGLES | ±3° | FINISH | | PRODUCT SPEC 108-51067 | SIZE A2 | |
| 0 PLC | ± | | | | | | | | | | | | | | | | | |
| 1 PLC | ± | | | | | | | | | | | | | | | | | |
| 2 PLC | ±0.20 | | | | | | | | | | | | | | | | | |
| 3 PLC | ± | | | | | | | | | | | | | | | | | |
| 4 PLC | ± | | | | | | | | | | | | | | | | | |
| ANGLES | ±3° | | | | | | | | | | | | | | | | | |
| FINISH | | | | | | | | | | | | | | | | | | |
| MATERIAL 1 | | APPLICATION SPEC - | CAGE CODE - | DRAWING NO 1735869 | | | | | | | | | | | | | | |
| | | WEIGHT - | SCALE 4:1 | SHEET 1 OF 3 | | | | | | | | | | | | | | |
| | | CUSTOMER DRAWING | REV B | | | | | | | | | | | | | | | |


THIS DRAWING IS UNPUBLISHED. RELEASED FOR PUBLICATION 20
 © COPYRIGHT 20 BY - ALL RIGHTS RESERVED.

| REVISIONS | | | | |
|-----------|-----|-------------|------|------|
| P | LTR | DESCRIPTION | DATE | APVD |
| - | - | SEE SHEET 1 | - | - |
| | | | | |
| | | | | |



1735869-2 AS SHOWN

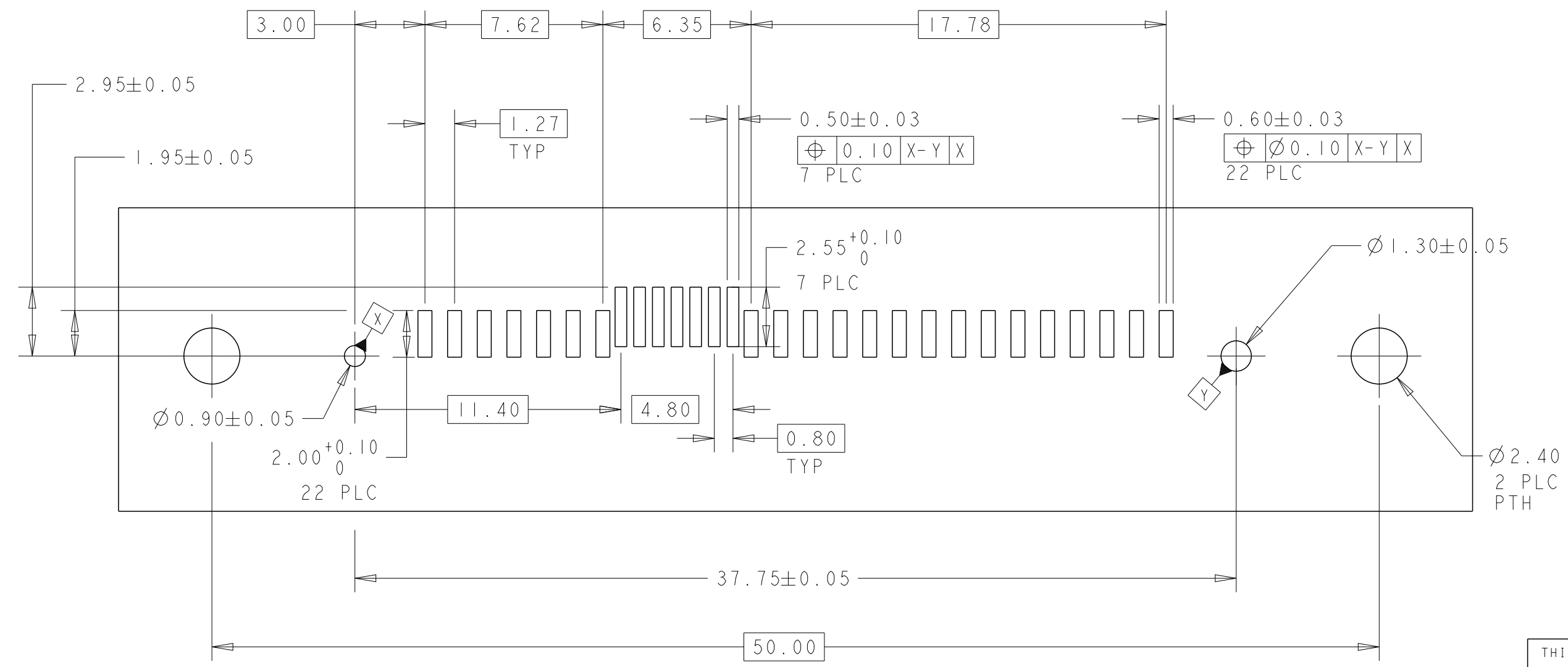
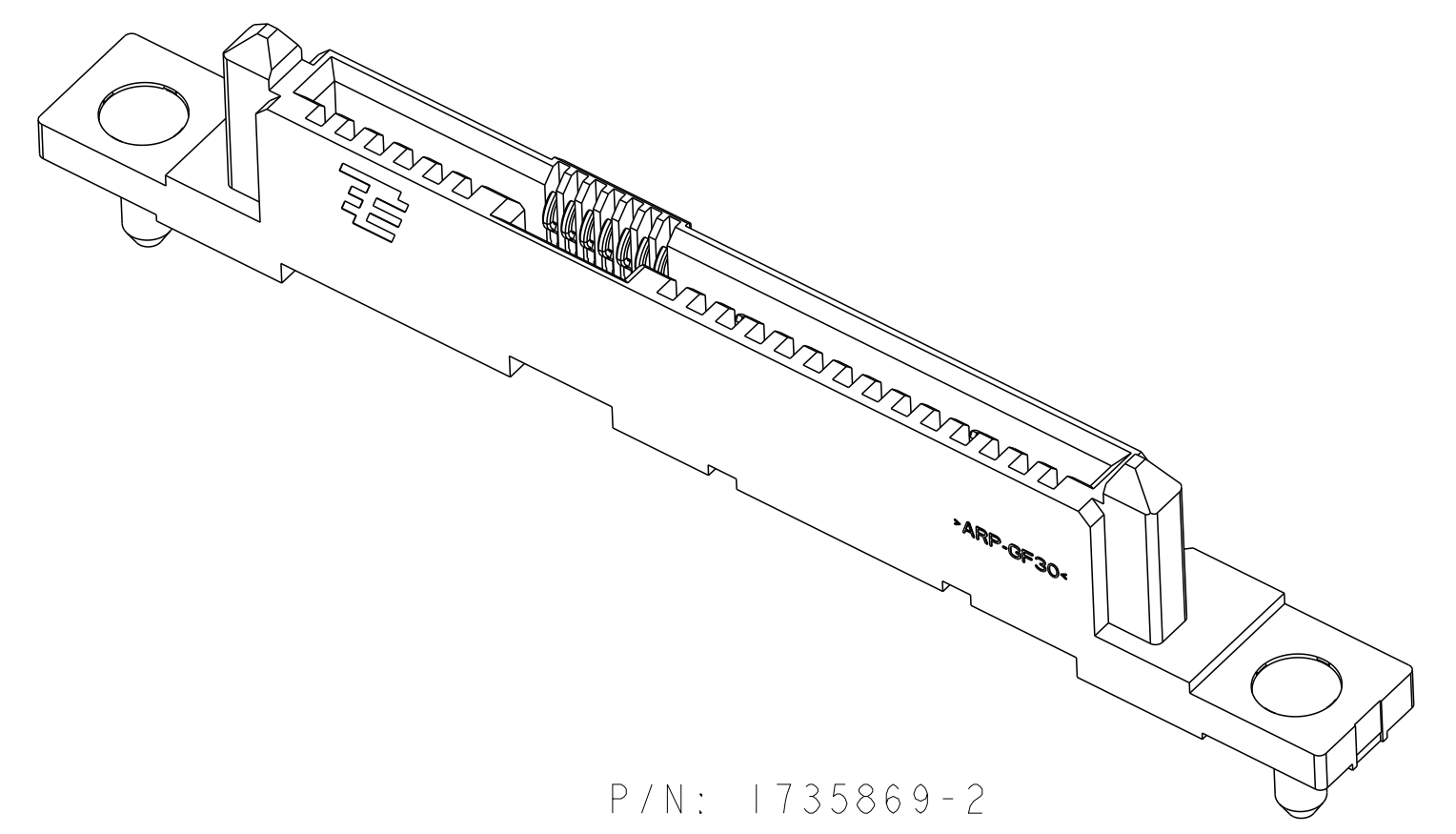
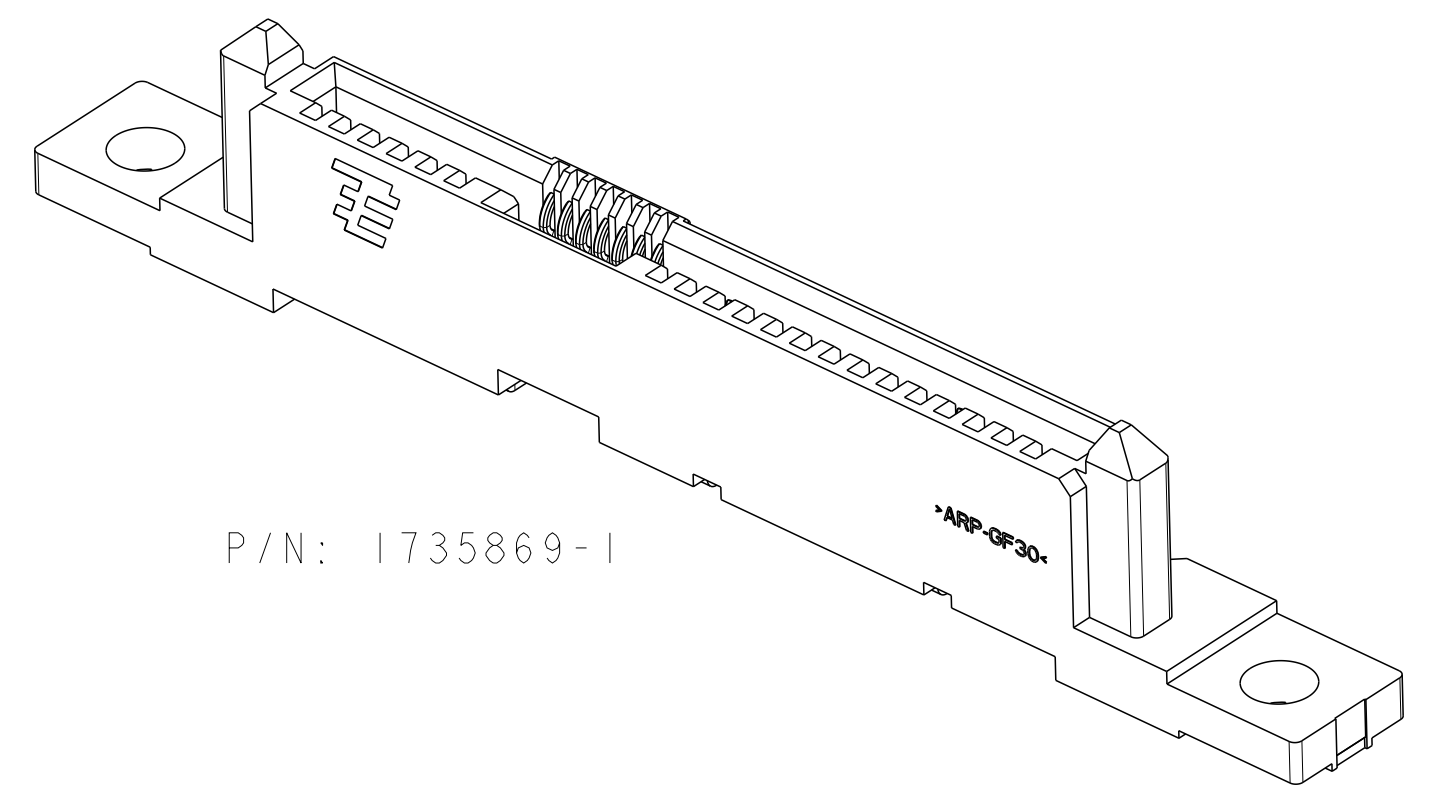
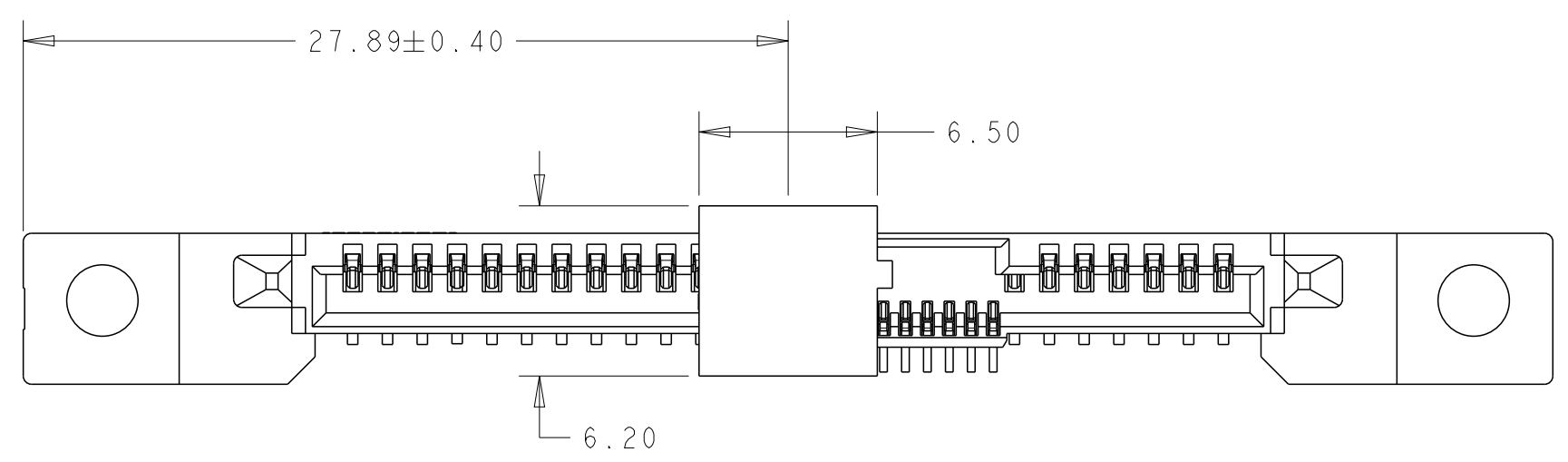
UNSPECIFIC DIMENSIONS ARE SAME WITH 1735869-1

| | | | | |
|---|--|----------------------------|---|-------------------------|
| THIS DRAWING IS A CONTROLLED DOCUMENT. | | DWN TY PANG 15MAR2011 |  TE Connectivity | |
| DIMENSIONS: mm | | CHK SF LEONG 15MAR2011 | | |
| TOLERANCES UNLESS OTHERWISE SPECIFIED: | | APVD SF LEONG 15MAR2011 | NAME SAS BACKPLANE RECEPTACLE, VERTICAL, SMT, THROUGH HOLE FLANGE | |
| 0 PLC ± 1 PLC ± 2 PLC ±0.20 3 PLC ± 4 PLC ± ANGLES ±3° FINISH | | PRODUCT SPEC 108-51067 | SIZE A2 | |
| MATERIAL | | APPLICATION SPEC - | CAGE CODE - | DRAWING NO C-1735869 |
| | | WEIGHT - | RESTRICTED TO - | |
| | | CUSTOMER DRAWING | SCALE 4:1 | SHEET 2 OF 3 |
| | | | REV B | |

THIS DRAWING IS UNPUBLISHED. RELEASED FOR PUBLICATION 20
 © COPYRIGHT 20 BY - ALL RIGHTS RESERVED.

| REVISIONS | | | | |
|-----------|-----|-------------|------|------|
| P | LTR | DESCRIPTION | DATE | APVD |
| - | - | SEE SHEET 1 | - | - |
| | | | | |
| | | | | |

P/NS WITH CAP AS SHOWN



RECOMMENDED PCB LAYOUT
 SCALE 5:1

| | | | | |
|---|--|----------------------------|---|------------------------------|
| THIS DRAWING IS A CONTROLLED DOCUMENT. | | DWN TY PANG 15MAR2011 | TE Connectivity | |
| DIMENSIONS: mm | | CHK SF LEONG 15MAR2011 | | |
| TOLERANCES UNLESS OTHERWISE SPECIFIED: | | APVD SF LEONG 15MAR2011 | NAME SAS BACKPLANE RECEPTACLE, VERTICAL, SMT, THROUGH HOLE FLANGE | |
| 0 PLC ± 1 PLC ± 2 PLC ±0.20 3 PLC ± 4 PLC ± ANGLES ±3° FINISH - | | PRODUCT SPEC 108-51067 | SIZE A2 | |
| MATERIAL TBD | | APPLICATION SPEC - | CAGE CODE - | DRAWING NO G-1735869 |
| - | | WEIGHT - | RESTRICTED TO - | SCALE 4:1 SHEET 3 OF 3 REV B |
| - | | CUSTOMER DRAWING | | |

Mouser Electronics

Authorized Distributor

Click to View Pricing, Inventory, Delivery & Lifecycle Information:

[TE Connectivity:](#)

[1735869-1](#)