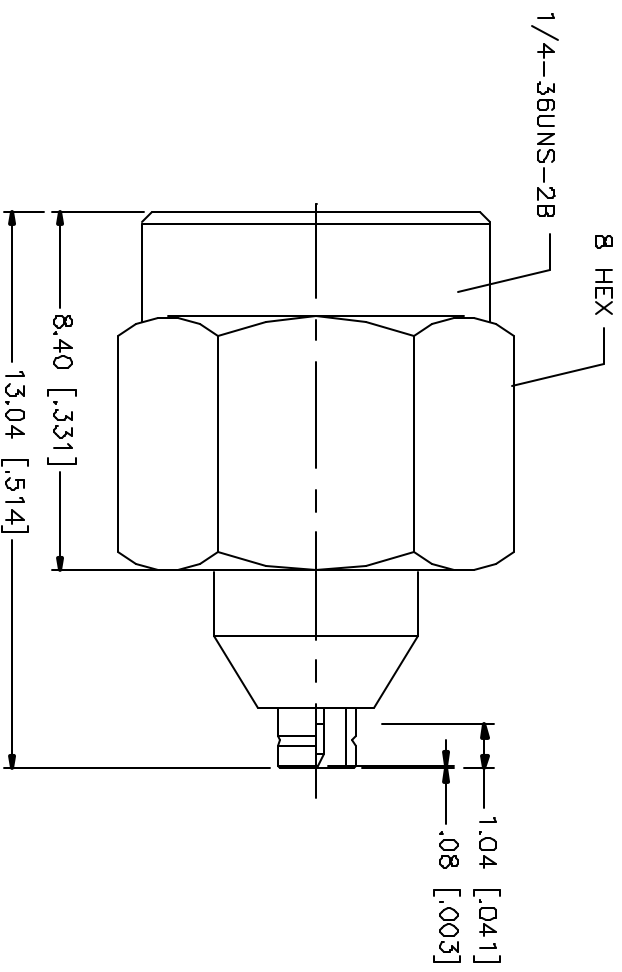


REV.	DATE	DESCRIPTION
A	10/03/04	MODIFY BODY



REV.	DATE	DESCRIPTION	MATERIAL	FINISH	QTY
B					
7					
6					
5					
4					
3			BRASS	GOLD	1
2			TEFLON	NATURAL	1
1			BRASS	GOLD	1
		DESCRIPTION			

AMPLPHENOL CONNEX SMA PLUG WITH AMC JACK ADAPTER	
APPROVALS DRAWN: G.R.S. CHECKED: ISSUED: SHEET: 1 OF 1	DATE: 10/03/04
CAD FILE: C:/242/242212.DWG DWG. NO.: 242212.DWG REV: A SIZE: A SCALE: NA	

ALL DIMENSIONS SHOWN IN THIS DRAWING ARE IN MILLIMETERS UNLESS OTHERWISE SPECIFIED. DIMENSIONS FOR MILLIMETERS ARE GIVEN IN PARENTHESES. DIMENSIONS FOR INCHES ARE GIVEN IN BRACKETS. DIMENSIONS FOR MILLIMETERS ARE: 0.020 - ± 0.007, 0.315 - ± 0.015, 1.180 - ± 0.015, 1.180 - ± 0.020. DIMENSIONS FOR INCHES ARE: 0.020 - ± 0.007, 0.315 - ± 0.015, 1.180 - ± 0.015, 1.180 - ± 0.020.

Mouser Electronics

Authorized Distributor

Click to View Pricing, Inventory, Delivery & Lifecycle Information:

[Amphenol:](#)

[242212](#)