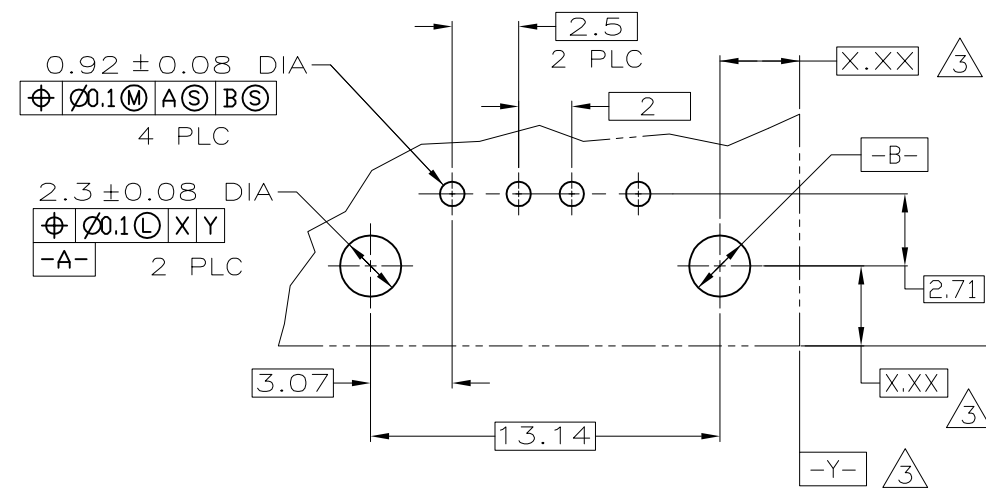
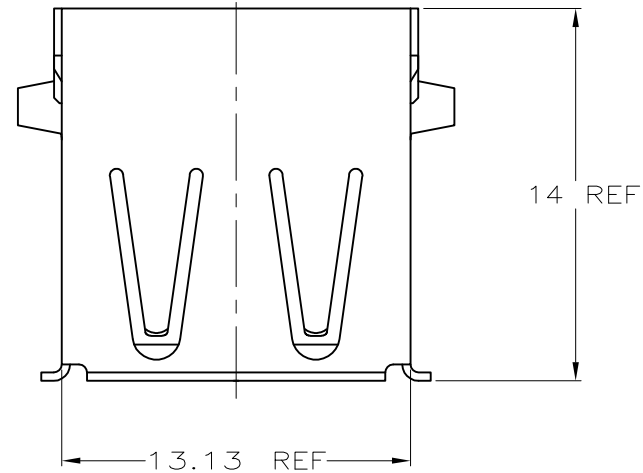
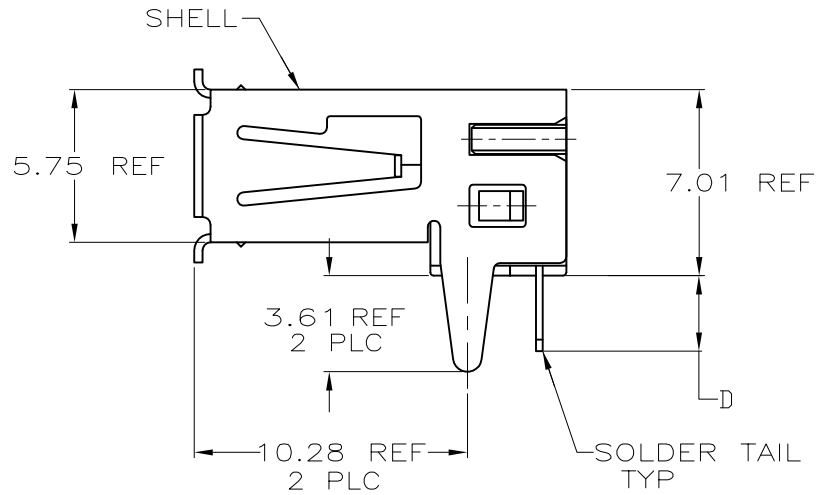
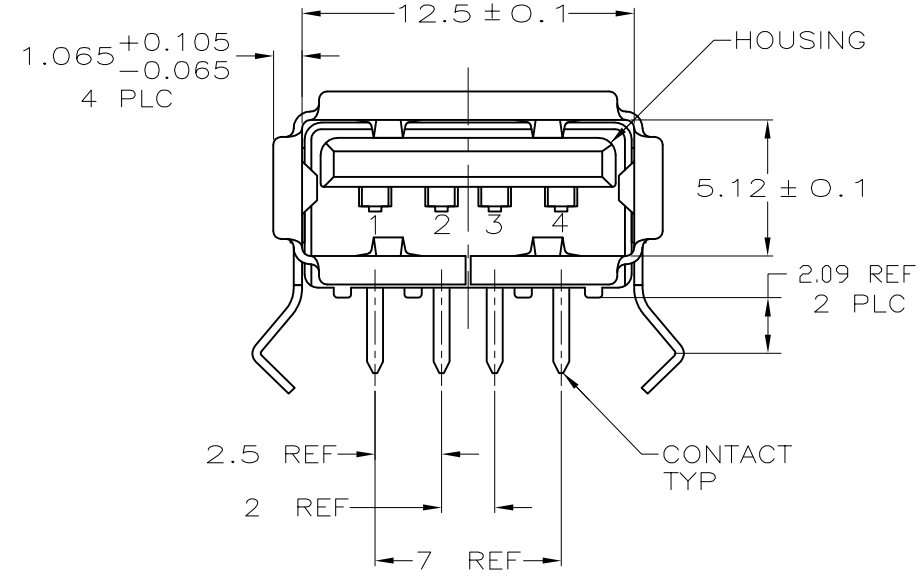


| LOC | | DIST | | REVISIONS | | | |
|-----|-----|---------------------------|---------|-----------|------|--|--|
| P | LTR | DESCRIPTION | DATE | DWN | APVD | | |
| ES | 00 | | | | | | |
| | E12 | REVISED PER ECR-17-010413 | 20JUL17 | T.Z | H.W | | |



PC BOARD MOUNTING DIMENSIONS ④



- ① MATERIAL:
 SHELL- STAINLESS STEEL.
 CONTACTS- COPPER ALLOY.
 HOUSING: UL 94V-0 RATED, THERMOPLASTIC, COLOR SEE TABLE.
- ② PLATING:
 CONTACTS: 0.076μm MINIMUM GOLD OVER 0.76μm MINIMUM PALLADIUM-NICKEL ON MATING AREA.
 3.8μm MINIMUM MATTE TIN ON SOLDER TAILS.
 BOTH OVER 1.27μm MINIMUM NICKEL.
 CONTACT ALTERNATE PLATING: 0.76μm MIN GOLD ON MATING AREA, 3.80μm MIN MATTE TIN ON SOLDER TAILS, BOTH OVER 1.27μm MIN NICKEL.
 SHELL: 2~5μm MINIMUM BRIGHT TIN
- ③ DATUM AND BASIC DIMENSIONS ESTABLISHED BY CUSTOMER.
- ④ RECOMMENDED PC BOARD THICKNESS OF 1.57.
- ⑤ PLATING:
 CONTACTS: 0.76μm MINIMUM PALLADIUM-NICKEL ON MATING AREA.
 3.8μm MINIMUM MATTE TIN ON SOLDER TAILS.
 BOTH OVER 1.27μm MINIMUM NICKEL.
 SHELL: 2~5μm MINIMUM BRIGHT TIN

| ⑤ | YES | 2.84 | BLACK | 2-292303-0 ⑤⑨ |
|-----------------|-----------------------------|------|---------------|---------------|
| ② | YES | 2.29 | BLACK | 1-292303-9 ⑤⑧ |
| ② | NO | 3.81 | BLACK | 1-292303-5 |
| ② | NO | 3.56 | BLACK | 1-292303-4 |
| ② | NO | 3.20 | BLACK | 1-292303-3 |
| ② | YES | 3.30 | BLACK | 1-292303-2 |
| ② | YES | 2.29 | BLACK | 292303-6 |
| ② | YES | 2.84 | NATURAL | 292303-5 |
| ② | YES | 2.84 | BLACK | 292303-4 |
| ② | NO | 2.84 | NATURAL | 292303-3 |
| ② | NO | 2.29 | BLACK | 292303-2 |
| ② | NO | 2.84 | BLACK | 292303-1 |
| CONTACT PLATING | HIGH TEMPERATURE COMPATIBLE | D | HOUSING COLOR | PART NUMBER |

THIS DRAWING IS A CONTROLLED DOCUMENT.

| | | | |
|----------------|--|------------------------|---|
| DIMENSIONS: mm | TOLERANCES UNLESS OTHERWISE SPECIFIED: | DWN J. JIANG 19FEB04 | |
| 0 PLC ± - | 1 PLC ± - | CHK S. YAO 19FEB04 | |
| 2 PLC ± 0.25 | 3 PLC ± - | APVD T. SASAKI 19FEB04 | NAME |
| 4 PLC ± - | ANGLES ± - | PRODUCT SPEC 108-60034 | RECEPTACLE ASSEMBLY RIGHT |
| MATERIAL ① | SEE TABLE | APPLICATION SPEC | ANGLE, 4 POSITION, T/H & SMT |
| | | WEIGHT - | USB, LEAD FREE VERSION |
| | | CUSTOMER DRAWING | SIZE A2 CAGE CODE 00779 DRAWING NO C=292303 RESTRICTED TO - |
| | | | SCALE 5:1 SHEET 1 OF 4 REV E12 |

4

3

2

1

THIS DRAWING IS UNPUBLISHED.

RELEASED FOR PUBLICATION

© COPYRIGHT - By -

ALL RIGHTS RESERVED.

LOC
ESDIST
00

REVISIONS

| P | LTR | DESCRIPTION | DATE | DWN | APVD |
|---|-----|-------------|------|-----|------|
| - | - | SEE SHEET 1 | - | - | - |

7.00
2.00
0.60
1.16
14 REF
13.13 REF

Ø2.30
1.25
13.14
3.50
1.00
3.00
2.18

⚠ MATERIAL:
 ① SHELL- STAINLESS STEEL
 CONTACTS- COPPER ALLOY.
 HOUSING: UL 94V-0 RATED, THERMOPLASTIC, COLOR SEE TABLE.

⚠ PLATING:
 CONTACTS: 0.076 μm MINIMUM GOLD OVER 0.76 μm MINIMUM PALLADIUM-NICKEL ON MATING AREA.
 3.8 μm MINIMUM MATTE TIN ON SOLDER TAILS.
 BOTH OVER 1.27 μm MINIMUM NICKEL.
 CONTACT ALTERNATE PLATING: 0.76 μm MIN GOLD ON MATING AREA, 3.80 μm MIN MATTE TIN ON SOLDER TAILS, BOTH OVER 1.27 μm MIN NICKEL.
 SHELL: 2~5 μm MINIMUM BRIGHT TIN

⚠ RECOMMENDED PC BOARD THICKNESS OF 1.42.

RECOMMENDED PC BOARD MOUNTING LAYOUT ⚠
 (TOLERANCE=±0.05)

1.065 +0.105 / -0.065
4 PLC
12.5 ± 0.1
HOUSING
5.12 ± 0.1
4.13
1.89 REF
2 PLC

5.75 REF
SHELL
7.01 REF
3.61 REF
2 PLC
SOLDER TAIL TYP
10.28 REF
2 PLC

| | | |
|-----------------------------|---------------|------------------|
| YES | BLACK | 3-292303-1 (E10) |
| YES | BLACK | 1-292303-1 |
| YES | NATURAL | 292303-7 |
| HIGH TEMPERATURE COMPATIBLE | HOUSING COLOR | PART NUMBER |

| THIS DRAWING IS A CONTROLLED DOCUMENT. | | DWN | 19FEB04 | TE Connectivity | |
|--|--|------------------|-----------|------------------------------|---------------|
| DIMENSIONS: mm | | J. JIANG | 19FEB04 | | |
| TOLERANCES UNLESS OTHERWISE SPECIFIED: | | CHK | S. YAO | | |
| 0 PLC ± - 1 PLC ± - 2 PLC ± 0.25 3 PLC ± - 4 PLC ± - ANGLES ± - | | APVD | T. SASAKI | NAME | |
| MATERIAL | | PRODUCT SPEC | | RECEPTACLE ASSEMBLY RIGHT | |
| 1 | | 108-60034 | | ANGLE, 4 POSITION, T/H & SMT | |
| 2 | | APPLICATION SPEC | | USB, LEAD FREE VERSION | |
| | | WEIGHT | - | SIZE | RESTRICTED TO |
| | | CUSTOMER DRAWING | | A2 | - |
| | | SCALE | | CAGE CODE | DRAWING NO |
| | | 5:1 | | 00779 | 292303 |
| | | SHEET | | REV | |
| | | 2 OF 4 | | E12 | |

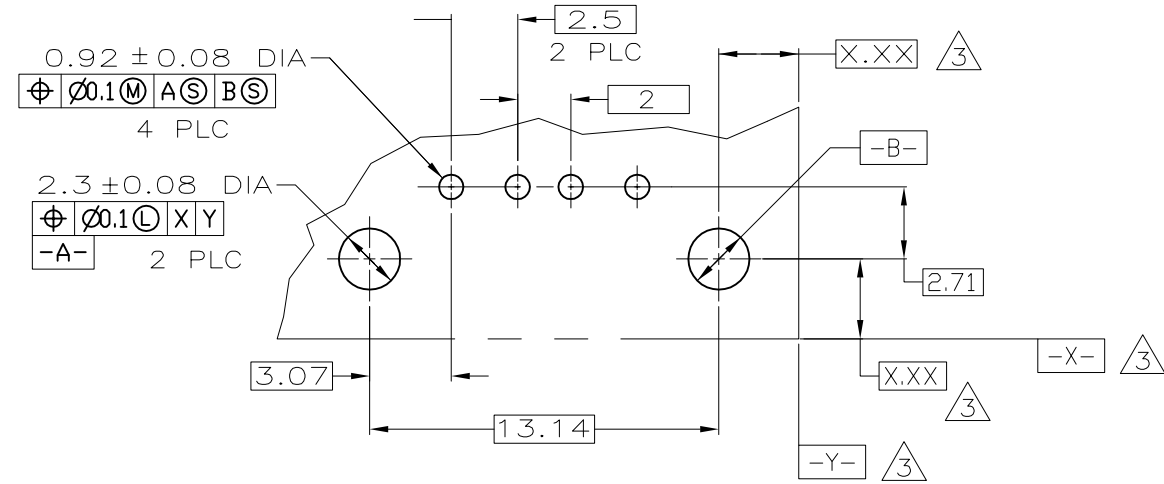
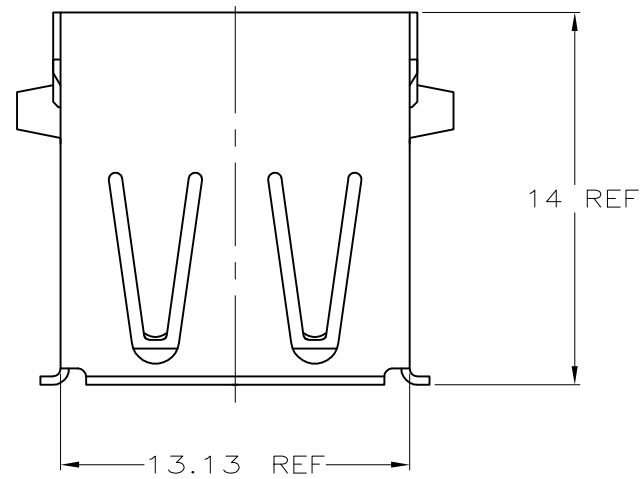
1471-9 (3/11)

292303

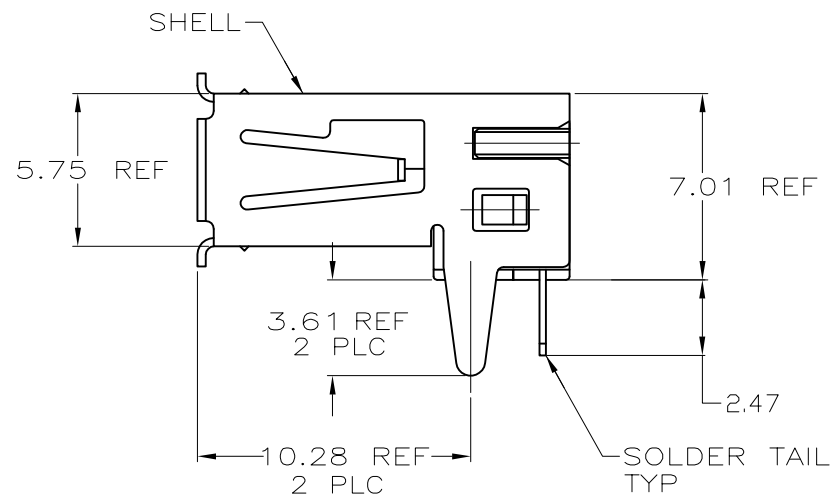
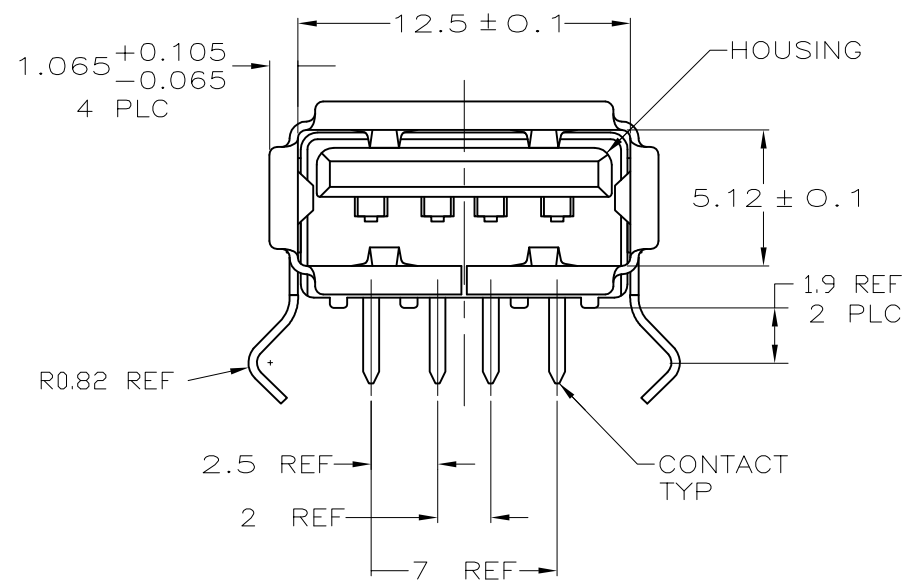
B

A

| LOC | DIST | REVISIONS | | | |
|-----|------|-------------|------|-----|------|
| P | LTR | DESCRIPTION | DATE | DWN | APVD |
| ES | 00 | SEE SHEET 1 | - | - | - |



PC BOARD MOUNTING DIMENSIONS $\Delta 4$



- $\Delta 1$ MATERIAL:
 $\text{\textcircled{1}}$ SHELL- STAINLESS STEEL.
 CONTACTS- COPPER ALLOY.
 HOUSING: UL 94V-0 RATED, THERMOPLASTIC, COLOR SEE TABLE.
- $\Delta 2$ PLATING:
 CONTACTS: 0.076 μm MINIMUM GOLD OVER 0.76 μm MINIMUM PALLADIUM-NICKEL ON MATING AREA.
 3.8 μm MINIMUM MATTE TIN ON SOLDER TAILS.
 BOTH OVER 1.27 μm MINIMUM NICKEL.
 CONTACT ALTERNATE PLATING: 0.76 μm MIN GOLD ON MATING AREA, 3.80 μm MIN MATTE TIN ON SOLDER TAILS, BOTH OVER 1.27 μm MIN NICKEL.
 SHELL: 2~5 μm MINIMUM BRIGHT TIN
- $\Delta 3$ DATUM AND BASIC DIMENSIONS ESTABLISHED BY CUSTOMER.
- $\Delta 4$ RECOMMENDED PC BOARD THICKNESS OF 1.2.

| | | |
|---|--------------------------------|-------------|
| NO | NATURAL | 292303-8 |
| HIGH TEMPERATURE COMPATIBLE | HOUSING COLOR | PART NUMBER |
| STE TE Connectivity | | |
| RECEPTACLE ASSEMBLY RIGHT ANGLE, 4 POSITION, T/H & SMT USB, LEAD FREE VERSION | | |
| SIZE | CAGE CODE | DRAWING NO |
| A2 | 00779 | C=292303 |
| RESTRICTED TO | SCALE 5:1 SHEET 3 OF 4 REV E12 | |

| | |
|--|--|
| THIS DRAWING IS A CONTROLLED DOCUMENT. | |
| DIMENSIONS: | TOLERANCES UNLESS OTHERWISE SPECIFIED: |
| mm | 0 PLC \pm - |
| | 1 PLC \pm - |
| | 2 PLC \pm 0.25 |
| | 3 PLC \pm - |
| | 4 PLC \pm - |
| | ANGLES \pm - |
| MATERIAL | FINISH |
| $\Delta 1$ | $\Delta 2$ |

4

3

2

1

THIS DRAWING IS UNPUBLISHED. RELEASED FOR PUBLICATION
 © COPYRIGHT - By - ALL RIGHTS RESERVED.

| LOC | | DIST | | REVISIONS | | | |
|-----|-----|-------------|------|-----------|------|---|---|
| P | LTR | DESCRIPTION | DATE | DWN | APVD | | |
| ES | 00 | SEE SHEET 1 | - | - | - | - | - |

RECOMMENDED MOUNTING PANEL CUTOUT

⚠ MATERIAL:
 Ⓛ SHELL- STAINLESS STEEL.
 CONTACTS- COPPER ALLOY.
 HOUSING: UL 94V-0 RATED, THERMOPLASTIC, COLOR SEE TABLE.

⚠ PLATING:
 CONTACTS: 0.076 μm MINIMUM GOLD OVER 0.76 μm MINIMUM PALLADIUM-NICKEL ON MATING AREA.
 3.8 μm MINIMUM MATTE TIN ON SOLDER TAILS.
 BOTH OVER 1.27 μm MINIMUM NICKEL.
 CONTACT ALTERNATE PLATING: 0.76 μm MIN GOLD ON MATING AREA, 3.80 μm MIN MATTE TIN ON SOLDER TAILS, BOTH OVER 1.27 μm MIN NICKEL.
 SHELL: 2~5 μm MINIMUM BRIGHT TIN

⚠ PANEL IS NEEDED FOR CUSTOMER.
 ⚠ THIS P/N IS PRELIMINARY.

RECOMMENDED PC BOARD MOUNTING LAYOUT (TOLERANCE=±0.05)

| | | |
|-----------------------------|---------------|--------------|
| YES | BLACK | 1-292303-6 ⚠ |
| YES | NATURAL | 292303-9 |
| HIGH TEMPERATURE COMPATIBLE | HOUSING COLOR | PART NUMBER |

| DIMENSIONS: | | TOLERANCES UNLESS OTHERWISE SPECIFIED: | | APVD | | NAME | |
|-------------|--|--|--------|-----------|---------|------------------------------|---------------|
| mm | | 0 PLC | ± - | J. JIANG | 19FEB04 | TE Connectivity | |
| | | 1 PLC | ± - | S. YAO | 19FEB04 | RECEPTACLE ASSEMBLY RIGHT | |
| | | 2 PLC | ± 0.25 | T. SASAKI | 19FEB04 | ANGLE, 4 POSITION, T/H & SMT | |
| | | 3 PLC | ± - | | | USB, LEAD FREE VERSION | |
| | | 4 PLC | ± - | | | SIZE | CAGE CODE |
| | | ANGLES | ± - | | | A2 | 00779 |
| | | FINISH | ± - | | | DRAWING NO | RESTRICTED TO |
| | | | | | | C=292303 | - |
| | | | | | | SCALE | SHEET |
| | | | | | | 5:1 | 4 OF 4 |
| | | | | | | | REV |
| | | | | | | | E12 |

1471-9 (3/11)

292303

Mouser Electronics

Authorized Distributor

Click to View Pricing, Inventory, Delivery & Lifecycle Information:

[TE Connectivity:](#)

[292303-3](#)