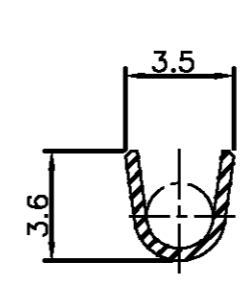
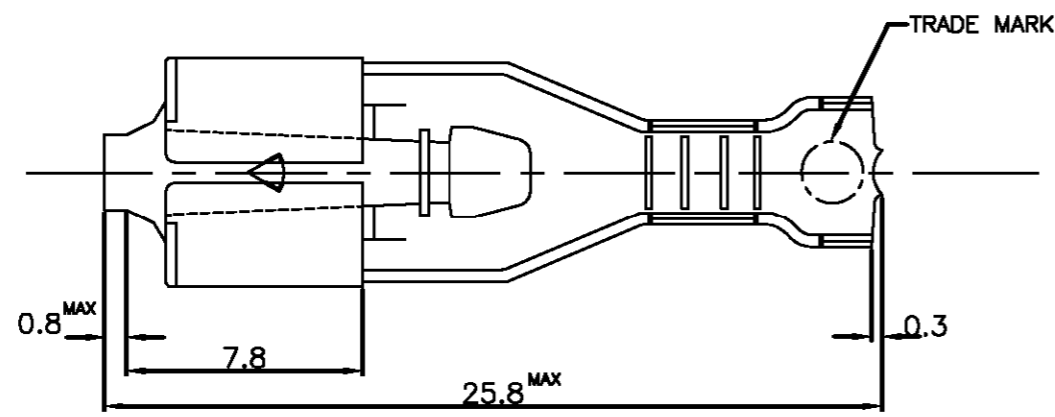


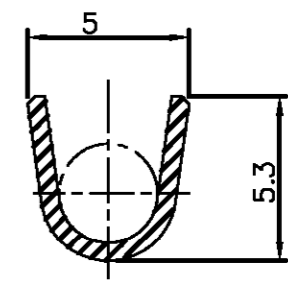
THIS DRAWING IS UNPUBLISHED. RELEASED FOR PUBLICATION

© COPYRIGHT BY TYCO ELECTRONICS CORPORATION. ALL RIGHTS RESERVED.

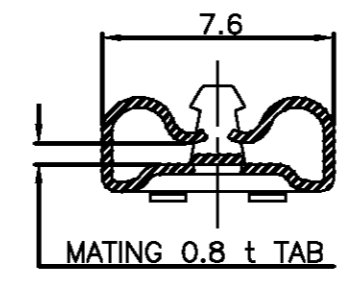
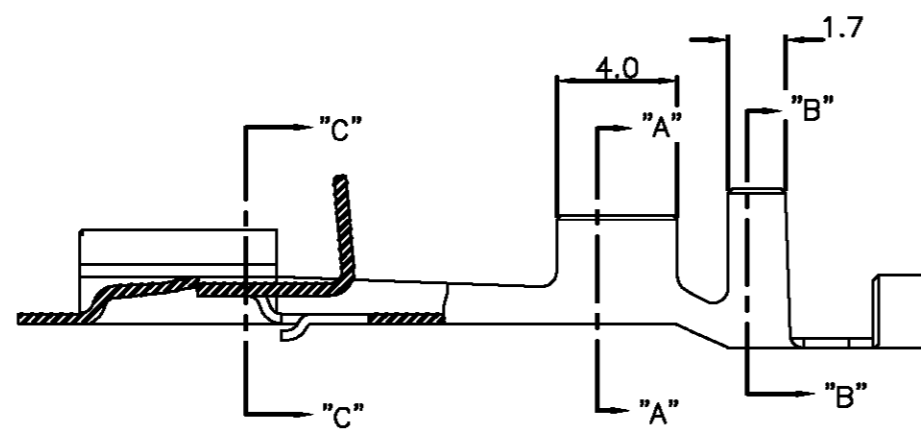
| LOC | DIST | REVISIONS | | | | | |
|-----|------|-----------|-----|-------------|-----------|-----|------|
| | | P | LTR | DESCRIPTION | DATE | DWN | APVD |
| DS | | | A | RELEASED | 19.JUL'05 | SC | JK |



SECT "A"- "A"



SECT "B"- "B"



SECT "C"- "C"

NOTES;
 1. APPLICABLE PLUG HSG: 1743419-1,2,4,6

| | | | |
|--|-------------------------------|---------------|-----------|
| WIRE RANGE (AWG #18-#14) 0.76~2.09 mm ² | INSULATION DIA. 2.2~3.4 mm | PRE-TIN BRASS | 1743457-1 |
| | | MATERIAL | P/N |

| | | | | | | |
|--|--|------------------------|--|-----------------|--------------------|---------------|
| <small>THIS DRAWING IS A CONTROLLED DOCUMENT FOR TYCO ELECTRONICS CORPORATION. IT IS SUBJECT TO CHANGE AND THE CONTROLLING ENGINEERING ORGANIZATION SHOULD BE CONTACTED FOR THE LATEST REVISION.</small> | | DWN SC. KIM | AMP KOREA. kyungsan, korea | | | |
| DIMENSIONS: MM | | CHK BW. KANG | | | | |
| TOLERANCES UNLESS OTHERWISE SPECIFIED: ±0.2 | | APVD JK. SONG | NAME 250 SERIES POSITIVE LOCK MARKII RECEP. | | | |
| 3rd ANGLE PROJECTION | | PRODUCT SPEC 108-61068 | | | | |
| MATERIAL - | | APPLICATION SPEC | SIZE A3 | CAGE CODE 00779 | DRAWING NO 1743457 | RESTRICTED TO |
| FINISH - | | WEIGHT | SCALE 4:1 | | SHEET 1 OF 1 | REV A |

Mouser Electronics

Authorized Distributor

Click to View Pricing, Inventory, Delivery & Lifecycle Information:

[TE Connectivity:](#)

[1743457-1](#)