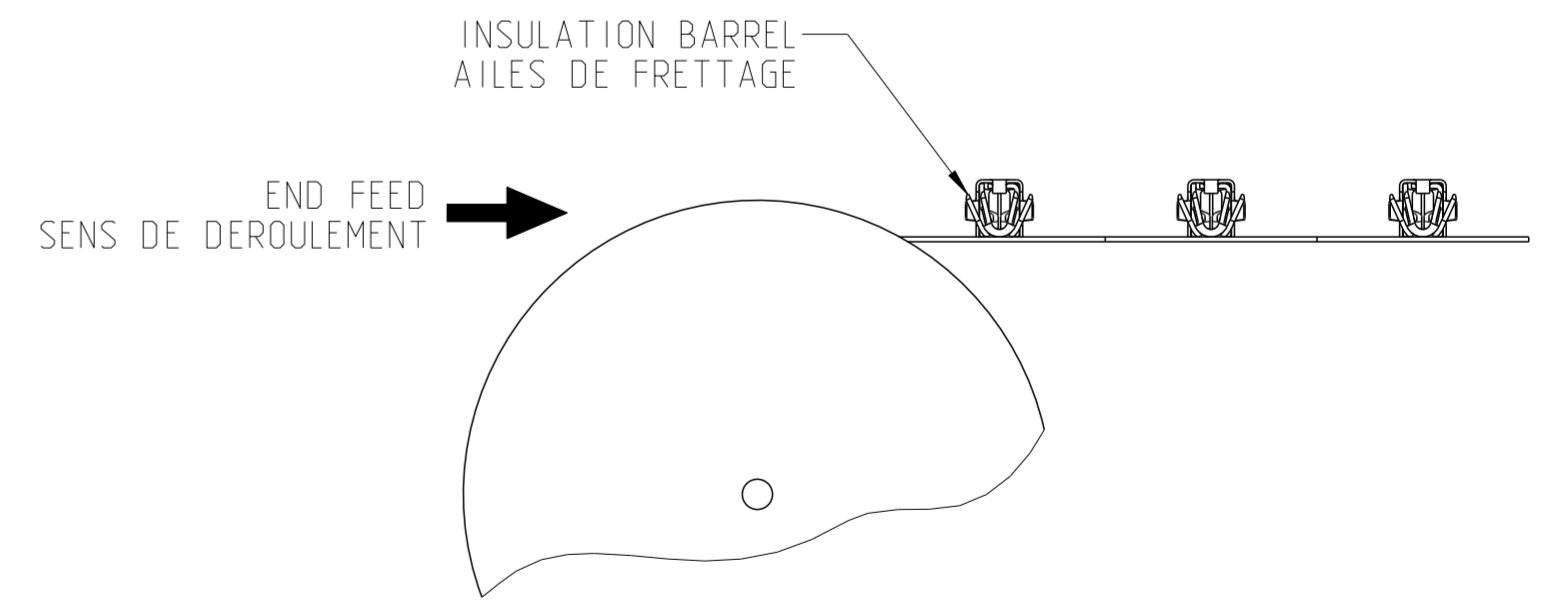
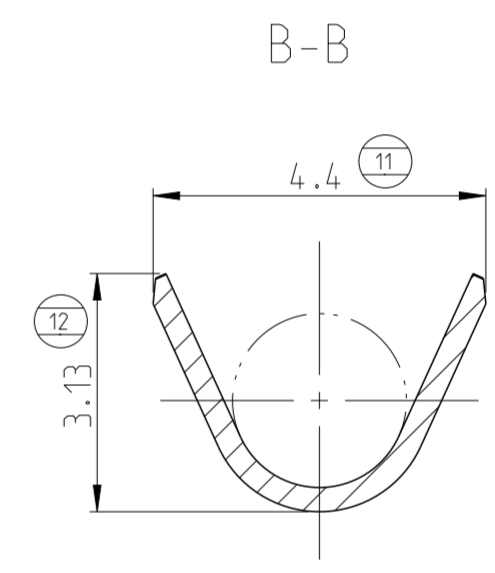
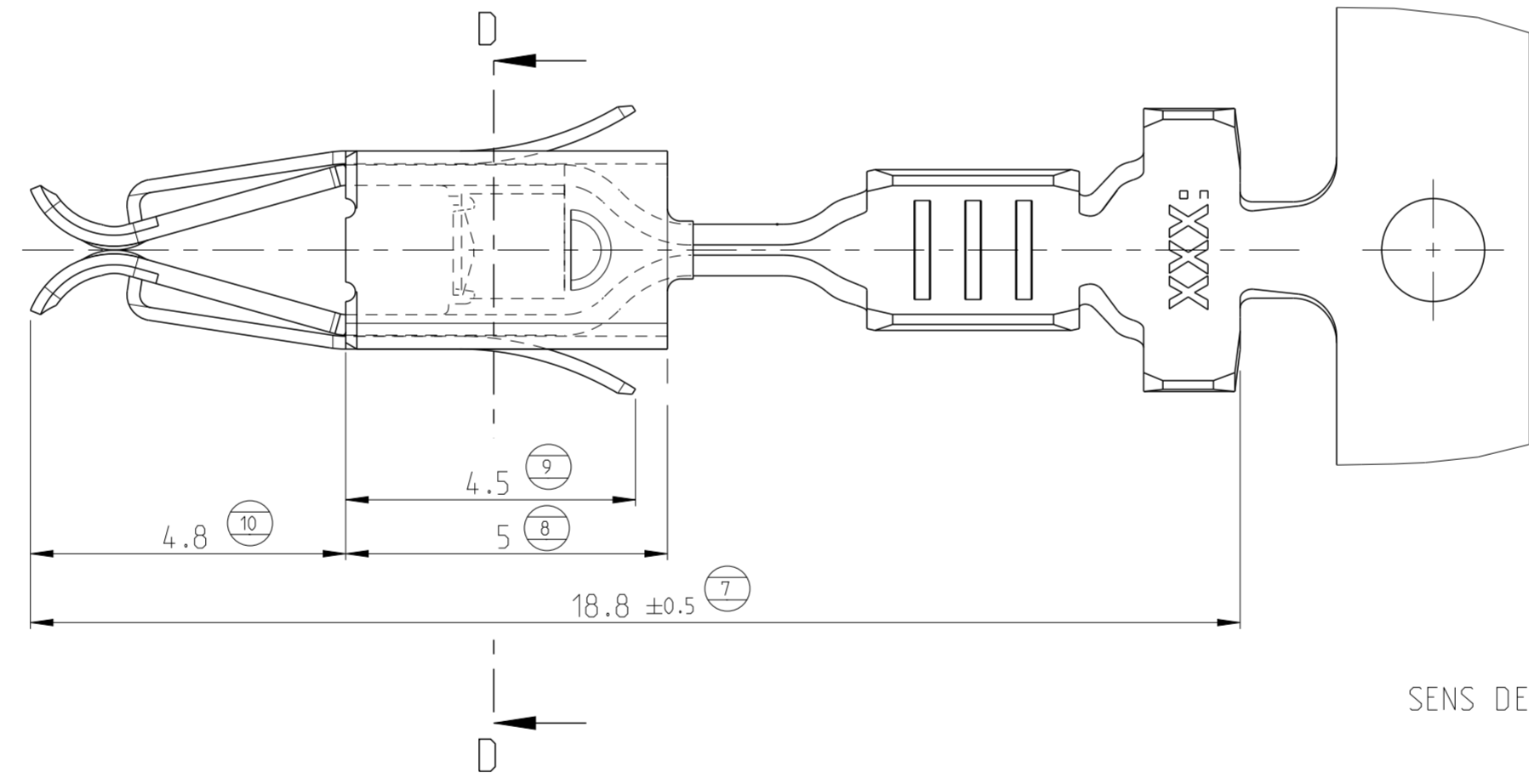
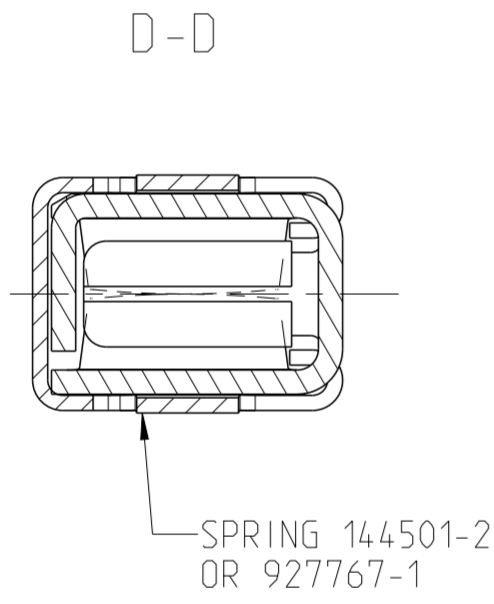
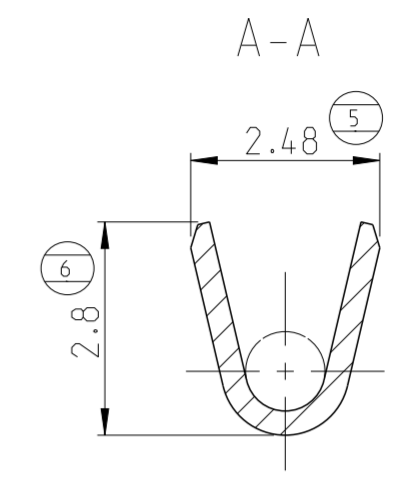
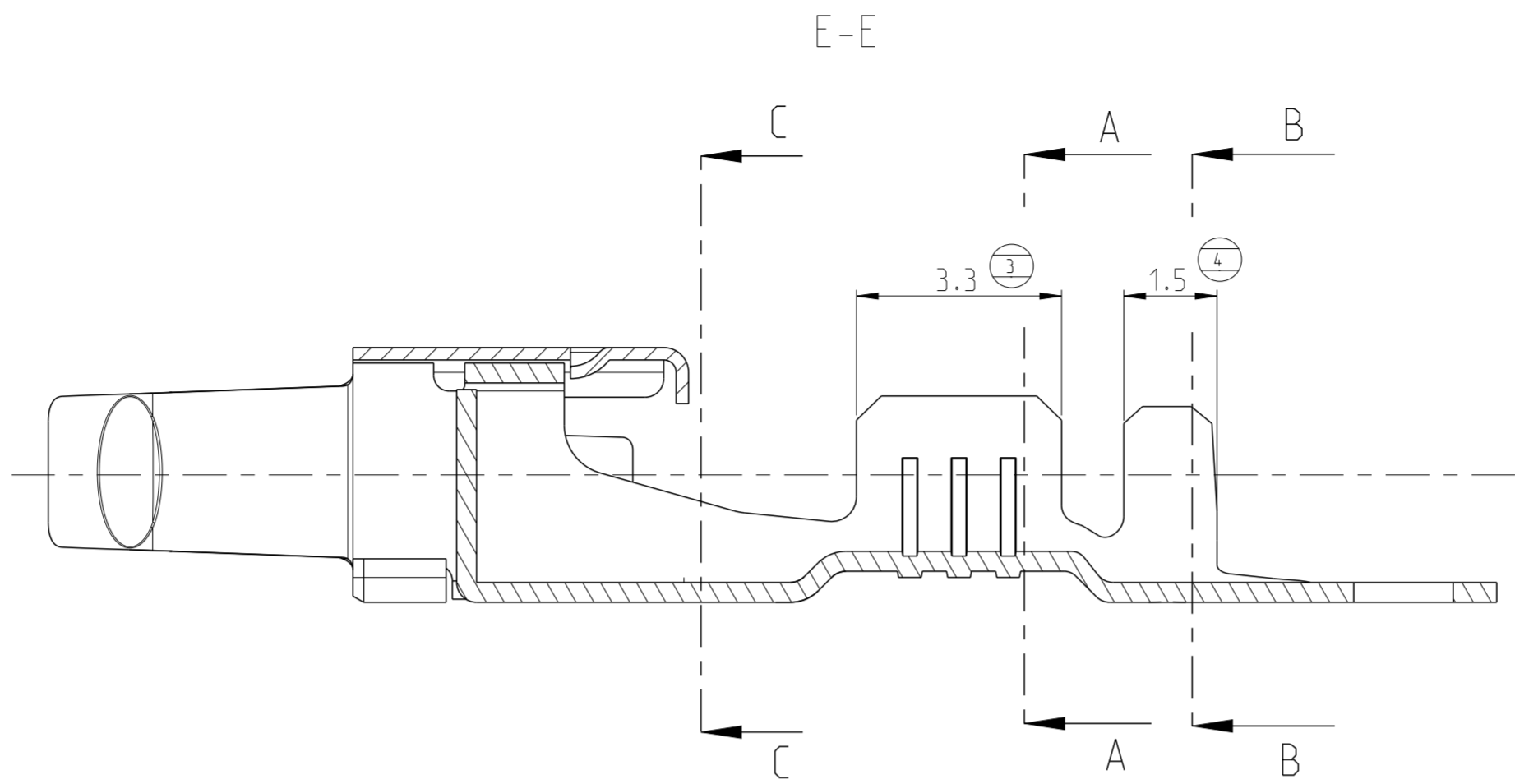
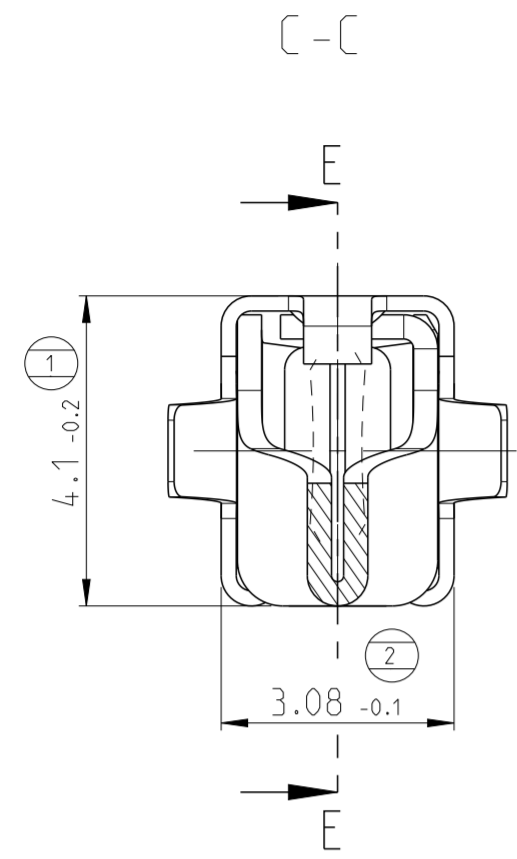


THIS DRAWING IS UNPUBLISHED. RELEASED FOR PUBLICATION
 © COPYRIGHT copyright_date BY - ALL RIGHTS RESERVED.

REVISIONS					
P	LTR	DESCRIPTION	DATE	DWN	APVD
	B2	REVISED PER ECR-15-015581	28OCT2015	SCK	JP



PRE-GOLD 0.4 μm mini SUR 0.1 μm mini NI	CuSn4	144431-3
PRE-TIN 0.8 A 3.3 μm	CuSn4	144431-1
FINISH	MATERIAL	PART NUMBER

THIS DRAWING IS A CONTROLLED DOCUMENT.

DIMENSIONS: mm

TOLERANCES UNLESS OTHERWISE SPECIFIED:

0 PLC	±	±0.2
1 PLC	±	
2 PLC	±	
3 PLC	±	
4 PLC	±	
ANGLES	±	±5°

MATERIAL: - VOIR TABLEAU

FINISH: - VOIR TABLEAU

DWN: MICHEL POLIFONTE 27SEP2000

CHK: M.POLIFONTE 12OCT2000

APVD: JJ REVIL 12OCT2000

PRODUCT SPEC: 108-15121

APPLICATION SPEC: 114-15050

WEIGHT: -

CUSTOMER DRAWING

SCALE: 10:1

SHEET: 1 OF 1

REV: B2

NAME: JUNIOR POWER TIMER

SIZE: A2

CAGE CODE: 00779

DRAWING NO: 144431

RESTRICTED TO: -

TE Connectivity